

[54] HANGER FOR COLLAPSIBLE TUBES

[56]

References Cited

U.S. PATENT DOCUMENTS

[75] Inventor: Albert H. Torongo, Jr., Yardley, Pa.

D. 202,025	8/1965	Bardon	D6/87
1,243,140	10/1917	Connolly	222/100
1,280,956	10/1918	Brand	248/108
2,883,087	4/1959	Nichols	D6/87
2,910,208	10/1959	Doyle	220/284
3,235,210	2/1966	Koven	248/108
3,446,468	5/1969	Sakwa	248/108

[73] Assignee: The Procter & Gamble Company, Cincinnati, Ohio

[**] Term: 14 Years

Primary Examiner—Wallace R. Burke
Assistant Examiner—B. J. Bullock
Attorney, Agent, or Firm—John V. Gorman

[21] Appl. No.: 748,023

[57] CLAIM

[22] Filed: Dec. 6, 1976

The ornamental design for a hanger for collapsible tubes, as shown and described.

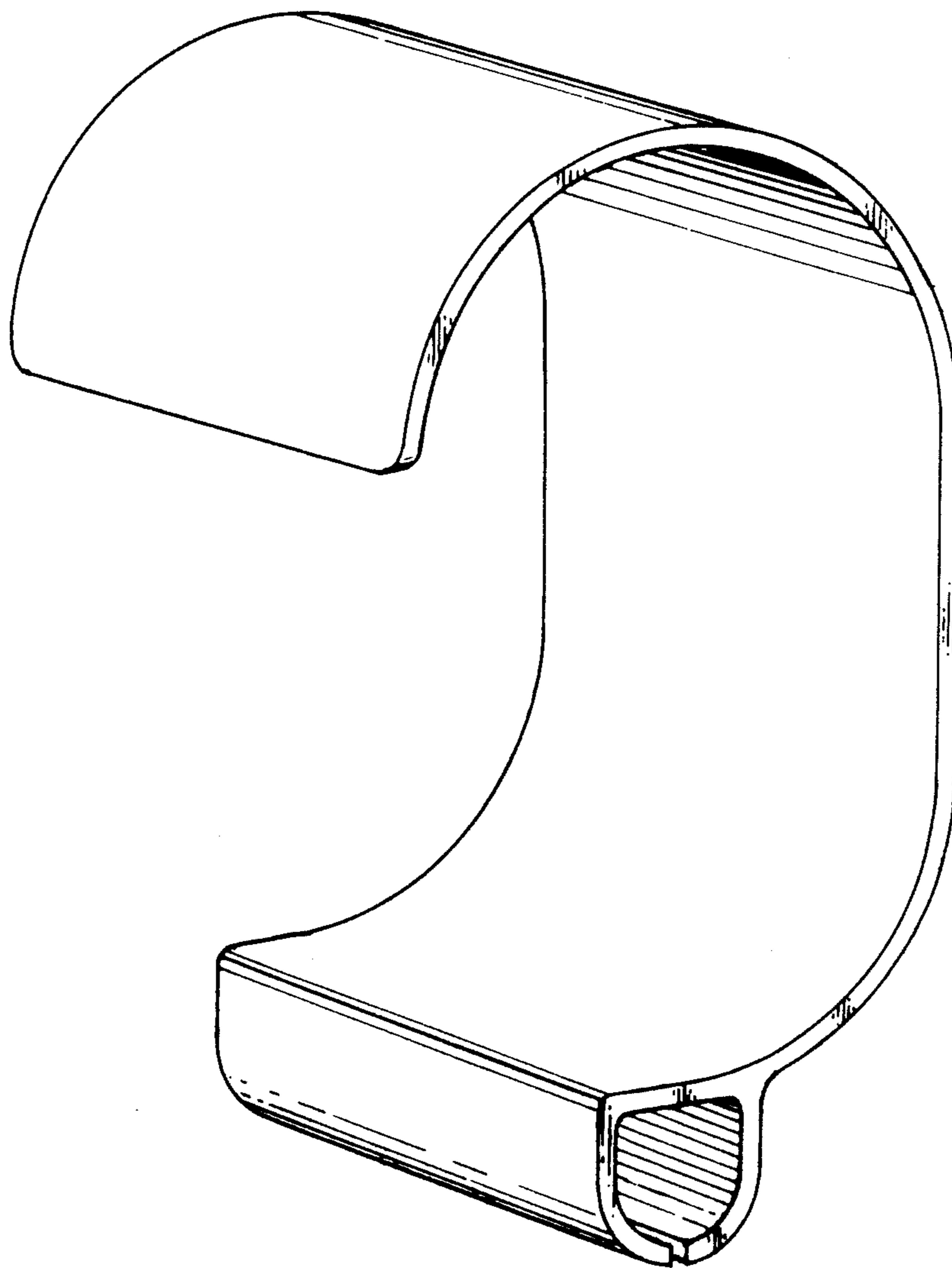
[51] Int. Cl. D23—02

[52] U.S. Cl. D6/87; D6/252

[58] Field of Search D6/20, 28, 85, 87, 93,
D6/113, 114, 129-130, 132, 134-137, 179, 182,
186, 252; 248/108, 317, 318; 222/100, 105

DESCRIPTION

The single FIGURE is an isometric view of a hanger for collapsible tubes, incorporating my new design. The side opposite that shown is a mirror image thereof.



U.S. Patent

June 13, 1978

Des.248,135

