

[54] SINK STOPPER

[76] Inventors: **Sidney J. Shames**, 57 Holly Pl., Briarcliff Manor, N.Y. 10510; **Harold Shames**, 5 Agnes Cir., Ardsley, N.Y. 10502

[**] Term: **14 Years**

[21] Appl. No.: **715,714**

[22] Filed: **Aug. 19, 1976**

[51] Int. Cl. **D6-99**
[52] U.S. Cl. **D6/86**
[58] Field of Search **D6/86; D23/38-43; 4/286, 293-295**

[56]

References Cited

U.S. PATENT DOCUMENTS

D. 96,849	9/1935	Petterson	D6/86
D. 154,936	8/1949	Limbert	D6/86
D. 195,162	4/1963	Kraines et al.	D6/86
1,646,112	10/1927	Schacht	D6/86 X
1,912,312	5/1933	Schacht	4/293
1,981,358	11/1934	Hernandez	4/293
2,847,683	8/1958	Jordan	4/295

Primary Examiner—James R. Largen
Attorney, Agent, or Firm—Norman Lettvin

[57]

CLAIM

The ornamental design for a sink stopper, as shown.

DESCRIPTION

FIG. 1 is a top plan view of a sink stopper showing our new design;
FIG. 2 is a cross sectional view taken on line 2—2 of FIG. 1; and
FIG. 3 is a cross sectional view taken on line 3—3 of FIG. 1.

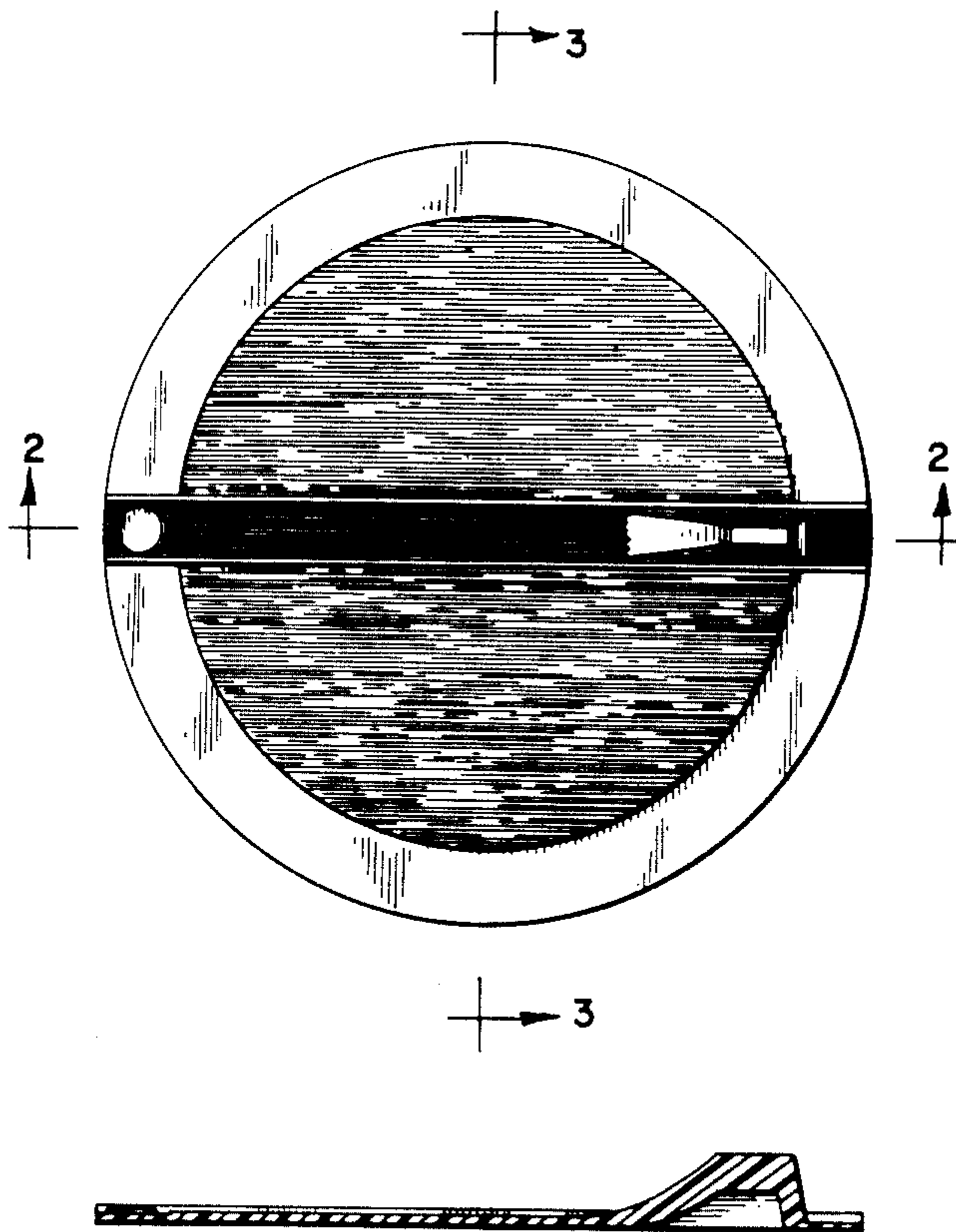


FIG. 1

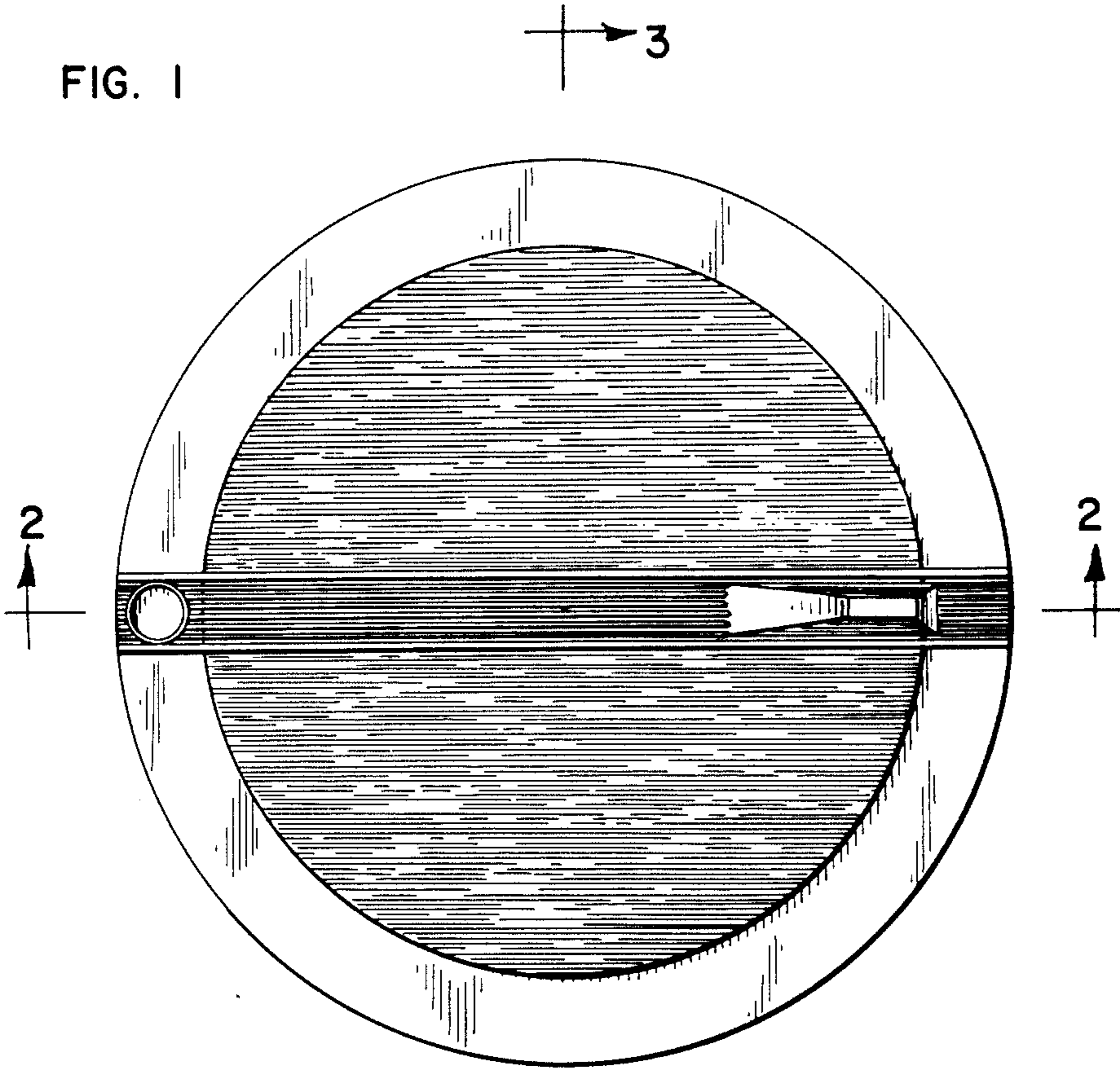


FIG. 2



FIG. 3

