

[54] STORAGE TRAY FOR PHOTOGRAPHIC SLIDES

[76] Inventor: Glen J. Brown, 386 E. Poppyfields Dr., Altadena, Calif. 91001

[**] Term: 14 Years

[21] Appl. No.: 718,593

[22] Filed: Aug. 30, 1976

[51] Int. Cl. D3-02

[52] U.S. Cl. D87/1 D; D6/188

[58] Field of Search D87/1 D, 1 R; D6/130, D6/188, 189; 211/163, 164, 40; 312/11; 206/387, 425, 455, 456

[56] References Cited

U.S. PATENT DOCUMENTS

D. 230,527 2/1974 Berkman D87/1 D

D. 233,375 10/1974 Berkman D6/189
D. 244,335 5/1977 Hjelle D6/188
2,701,635 2/1955 Mills 206/456

OTHER PUBLICATIONS

Bakelite Review, 1/65, p. 10.

Primary Examiner—Joel Stearman

Assistant Examiner—George P. Word

[57] CLAIM

The ornamental design for a storage tray for photographic slides, substantially as shown.

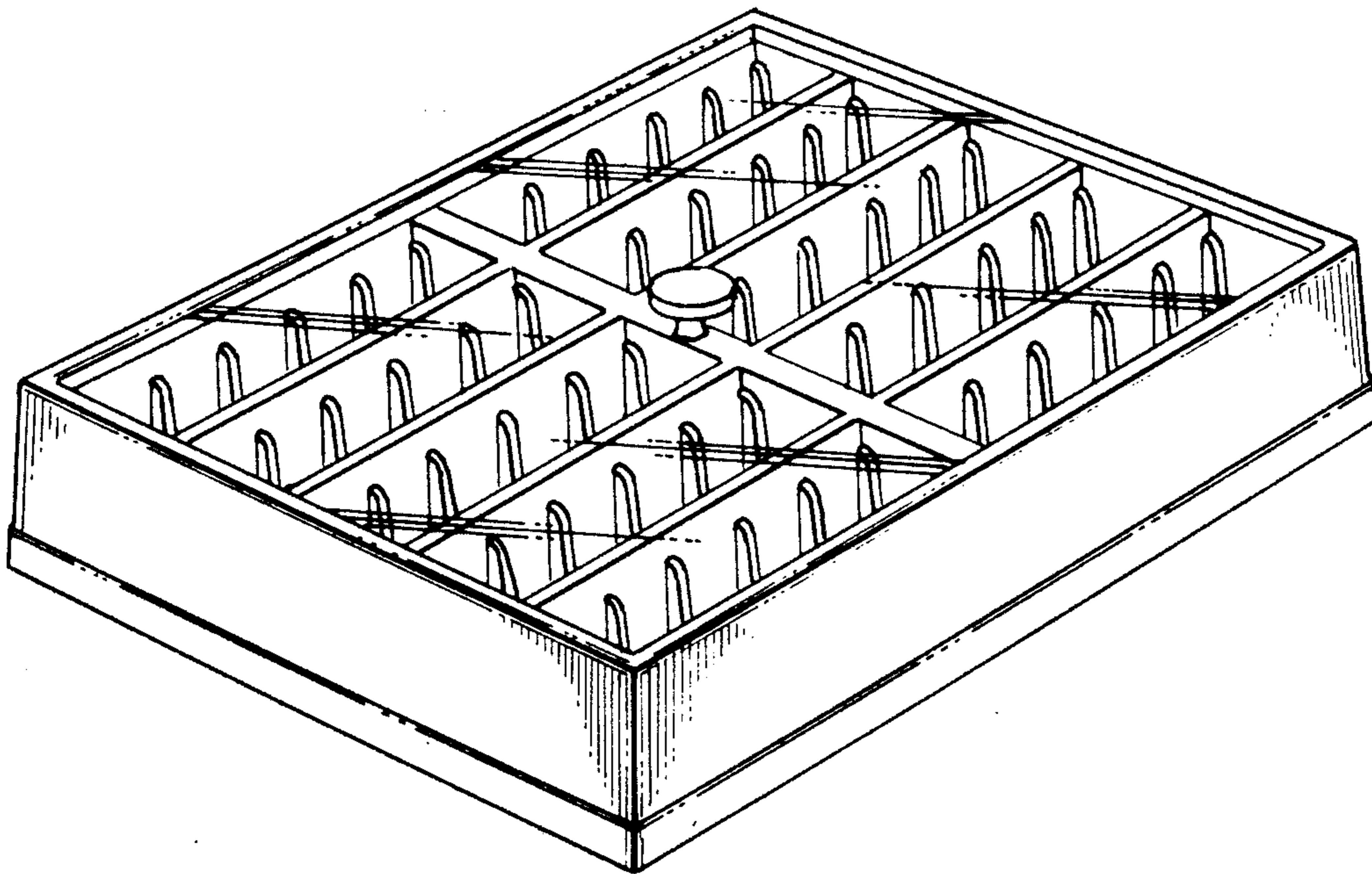
DESCRIPTION

FIG. 1 is a perspective view of a storage tray for photographic slides showing my new design;

FIG. 2 is a top plan view thereof;

FIG. 3 is a rear elevational view; and

FIG. 4 is a right side elevational view.



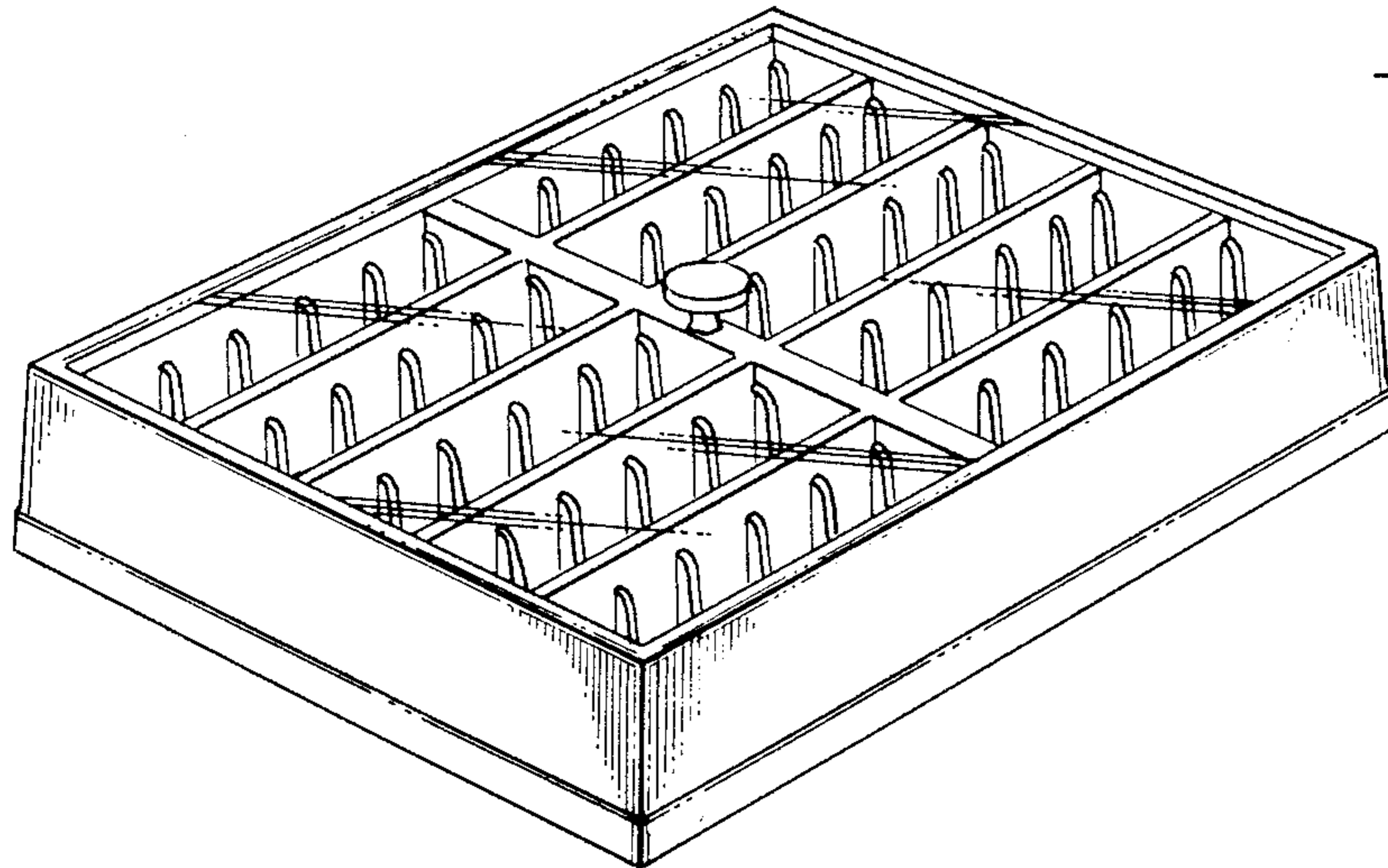


Fig. 1

Fig. 2

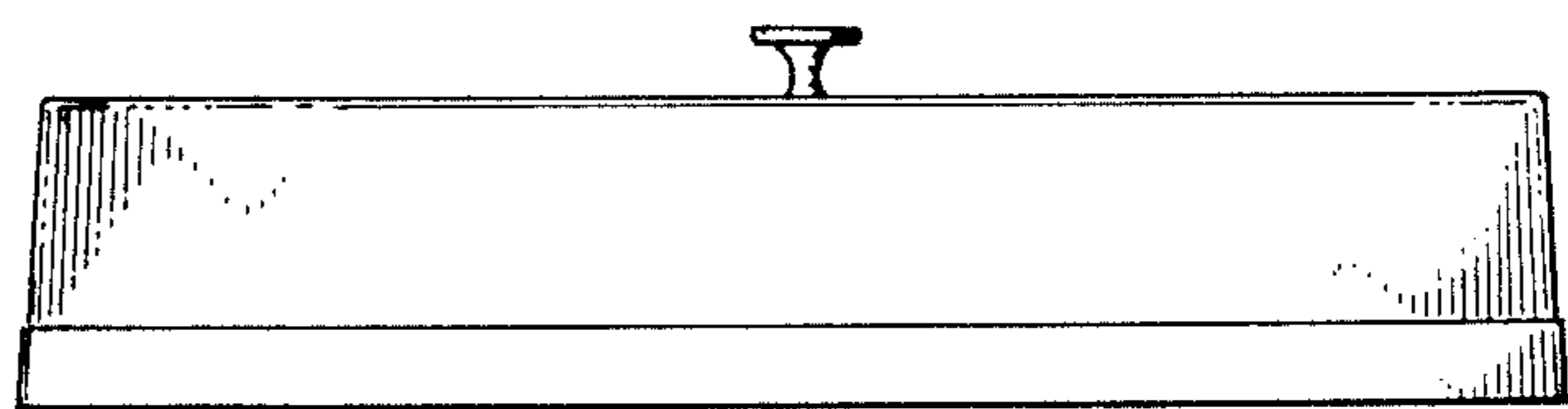
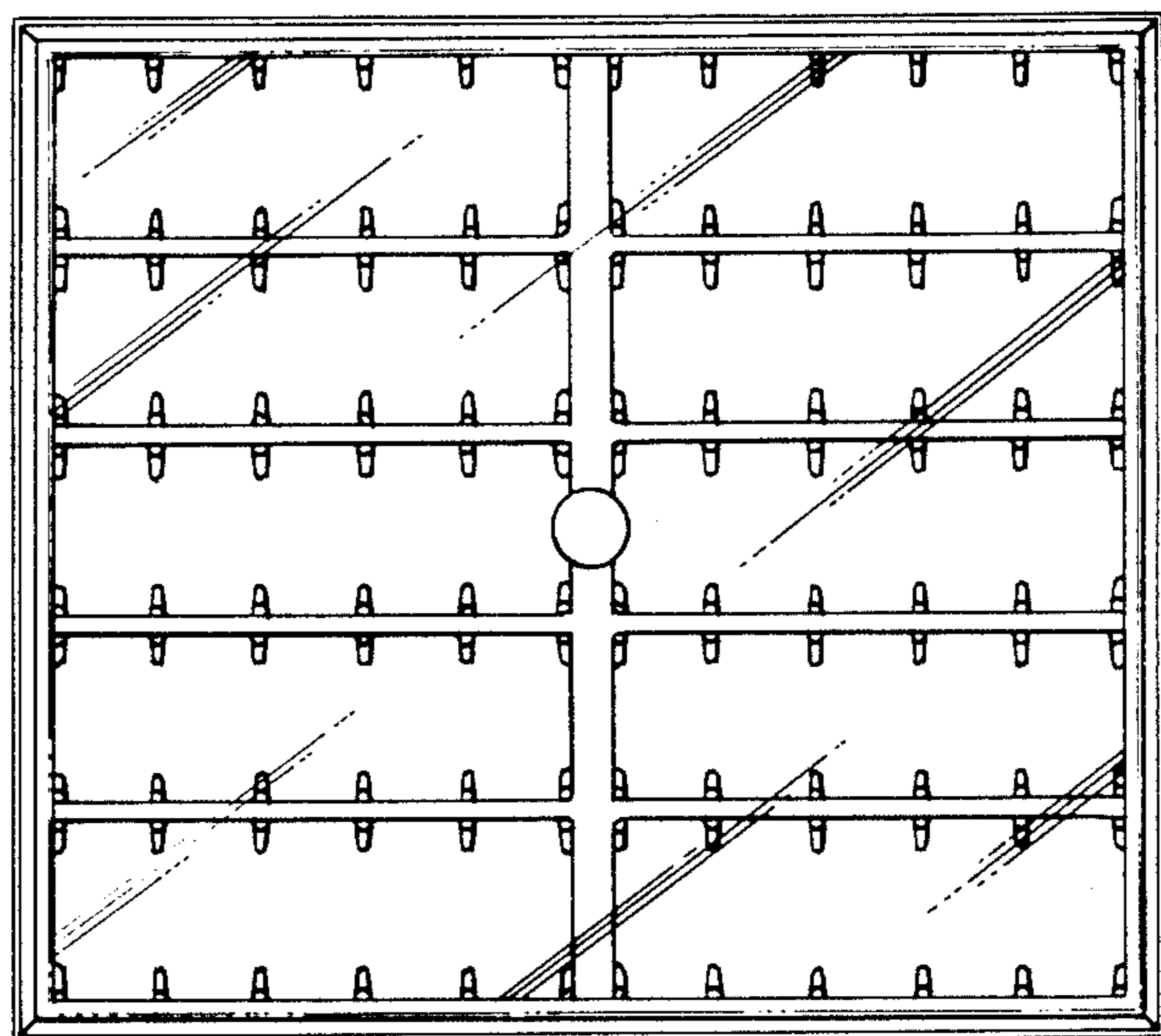


Fig. 3

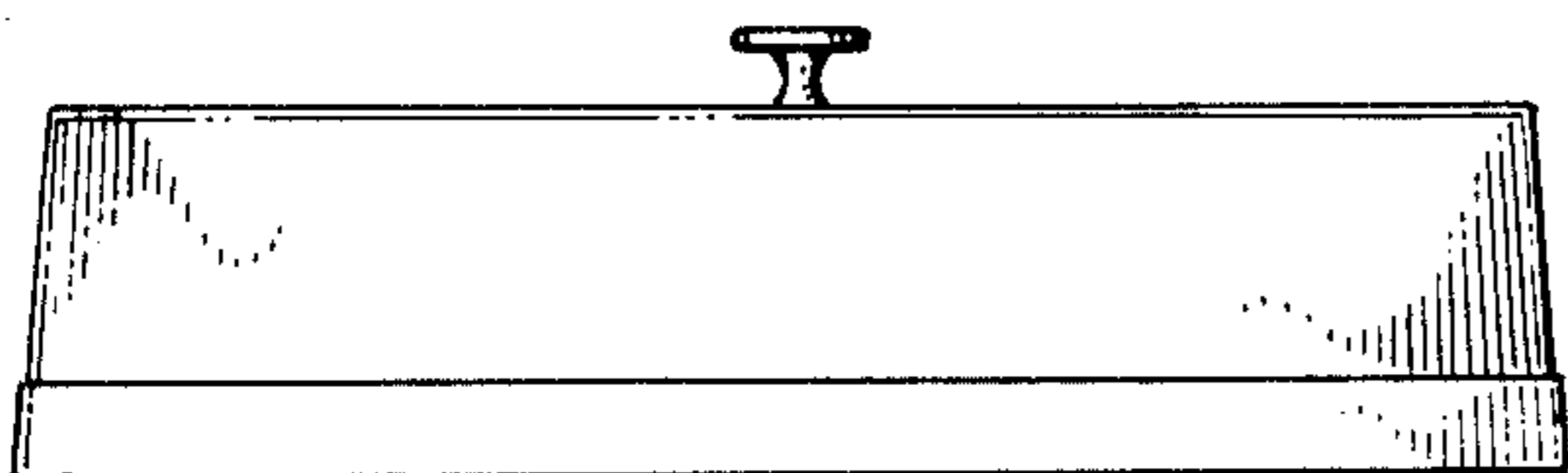


Fig. 4