

[54] TOY TRUCK

3,942,285 3/1976 Dehner 46/201

[75] Inventors: Donald F. Nix, Hanover Park;
Howard J. Morrison, Deerfield, both
of Ill.

[73] Assignee: Marvin Glass & Associates, Chicago,
Ill.

[**] Term: 14 Years

[21] Appl. No.: 723,740

[22] Filed: Sep. 16, 1976

[51] Int. Cl. D21-01

[52] U.S. Cl. D34/15 AJ

[58] Field of Search D12/107, 108, 112-113;
D34/15 AJ, 15 AN, 15 AT; 280/2.1, 11 R,
87.01, 87.02; 46/201-209, 211

[56] References Cited

U.S. PATENT DOCUMENTS

D. 222,159 10/1971 Muys et al. D34/15 AJ
D. 226,121 1/1973 Gilford et al. D34/15 AJ

OTHER PUBLICATIONS

Wards, 1976 Christmas Catalog, p. 370, Truck At Item
No. 4.

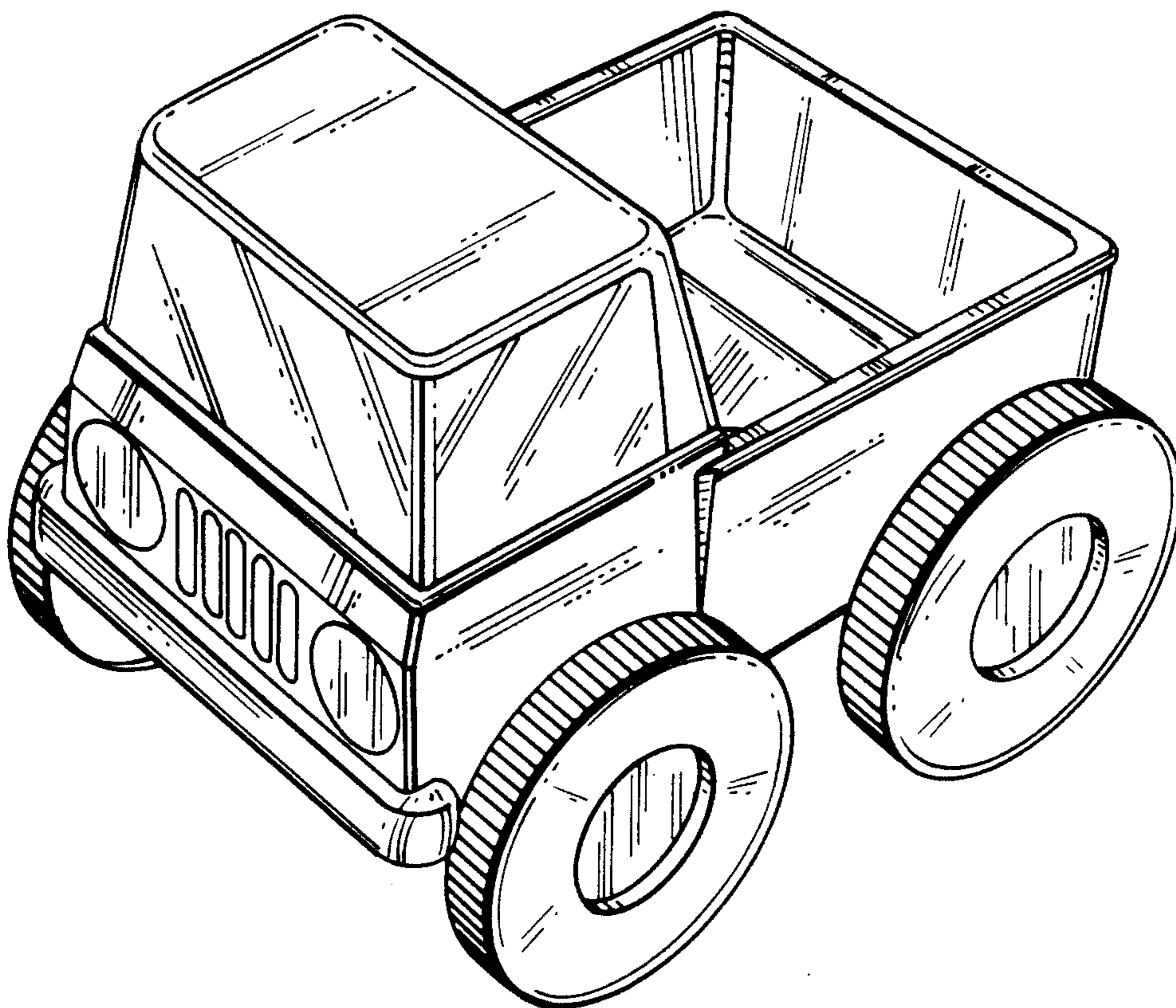
Primary Examiner—Joel Stearman
Assistant Examiner—C. A. Rademaker
Attorney, Agent, or Firm—James R. Sweeney

[57] CLAIM

The ornamental design for a toy truck, as shown and
described.

DESCRIPTION

FIG. 1 is a front perspective view of a toy truck show-
ing our new design;
FIG. 2 is a rear elevational view thereof;
FIG. 3 is a side elevational view thereof, the opposite
side being substantially identical thereto;
FIG. 4 is a front elevational view thereof;
FIG. 5 is a top plan view thereof; and
FIG. 6 is a bottom plan view thereof.



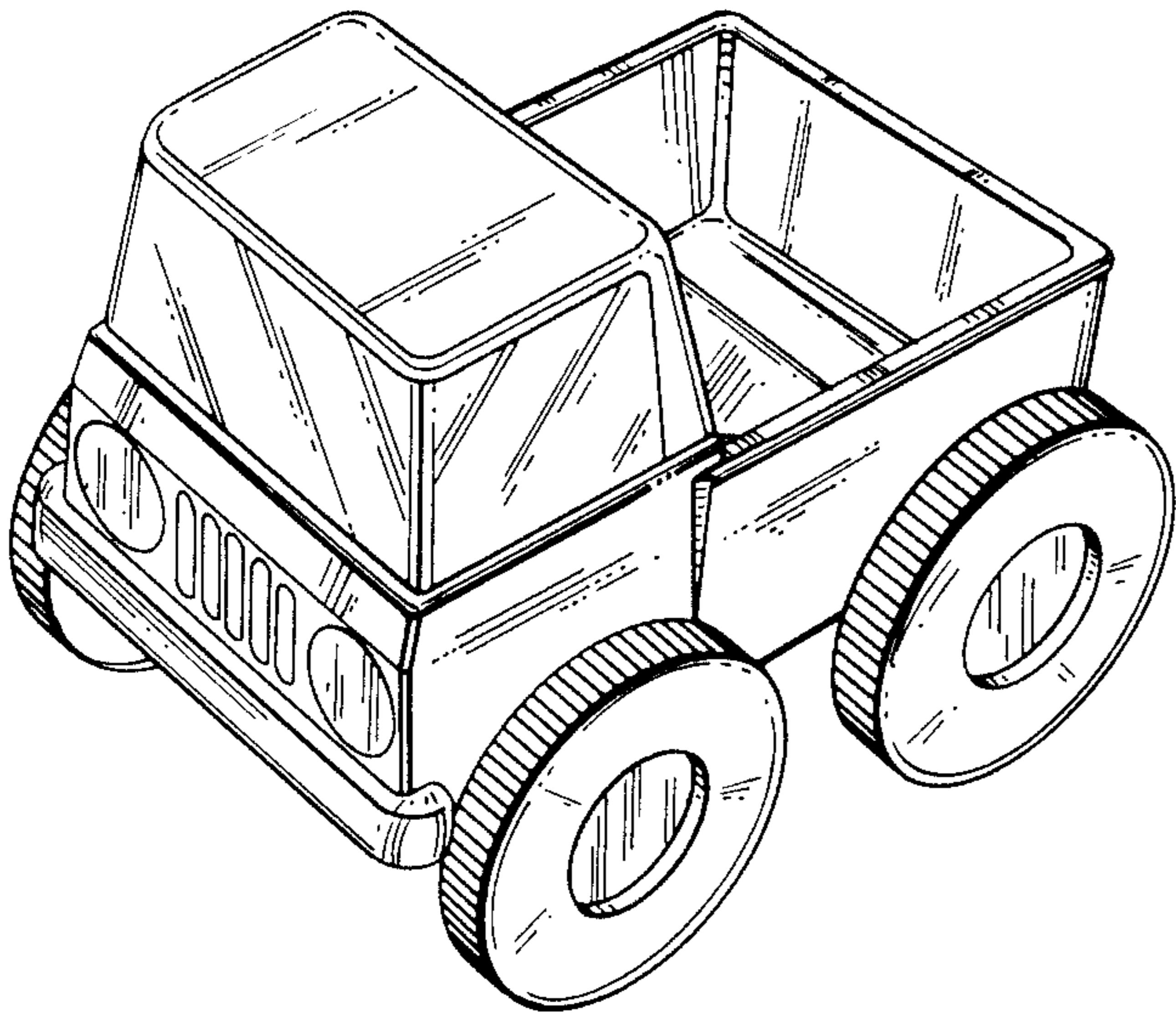


FIG. 1

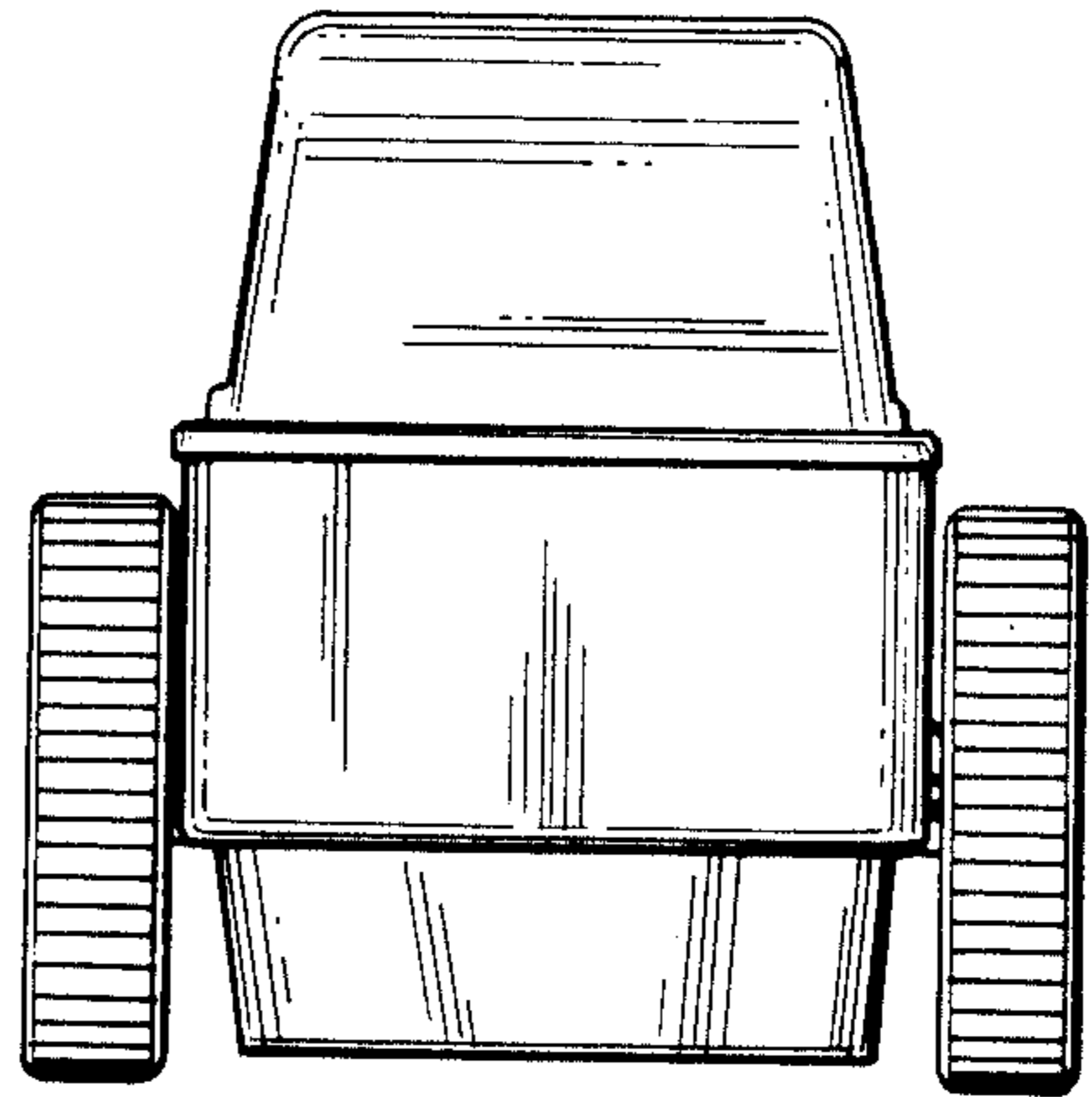


FIG. 2

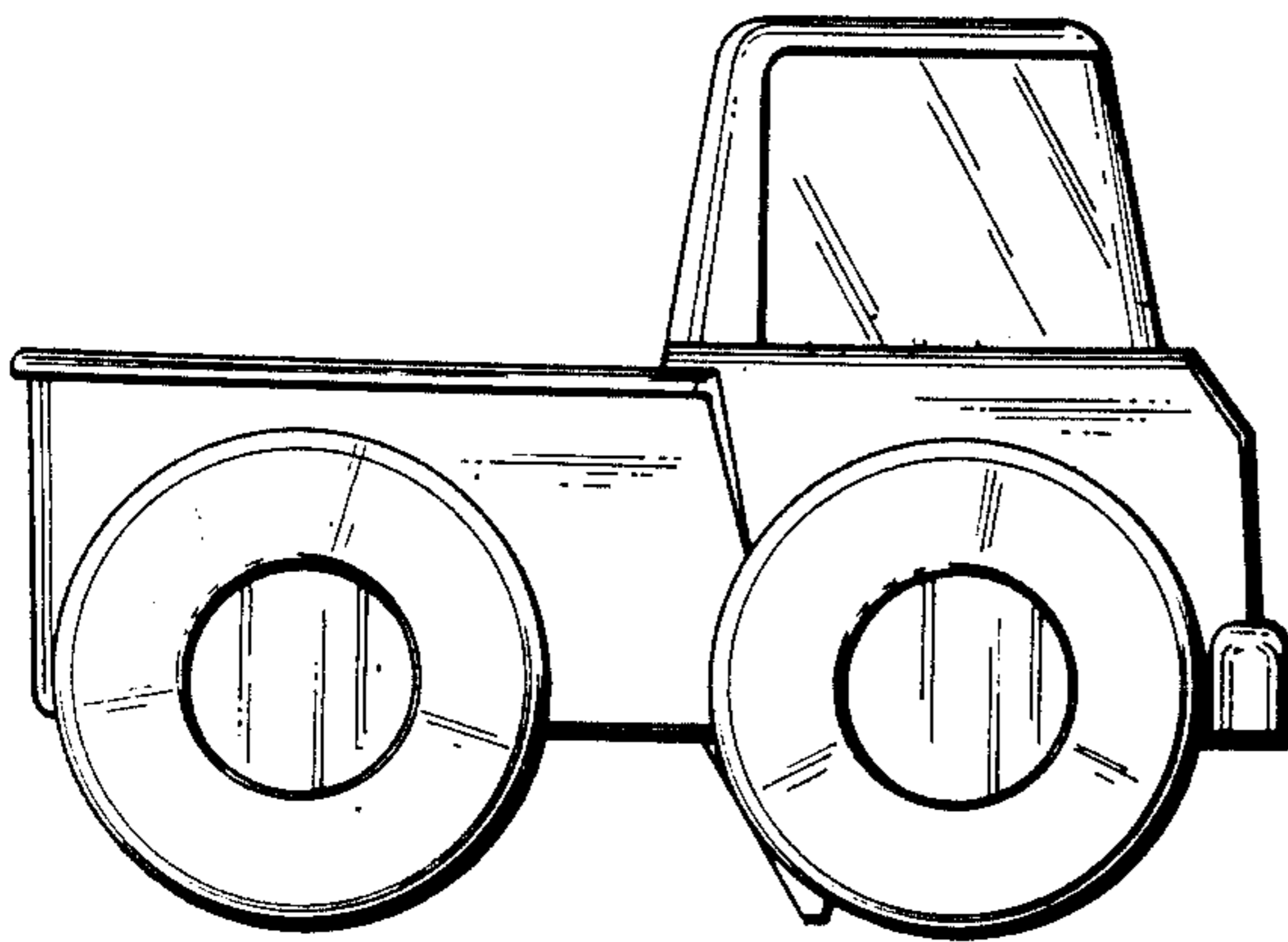


FIG. 3

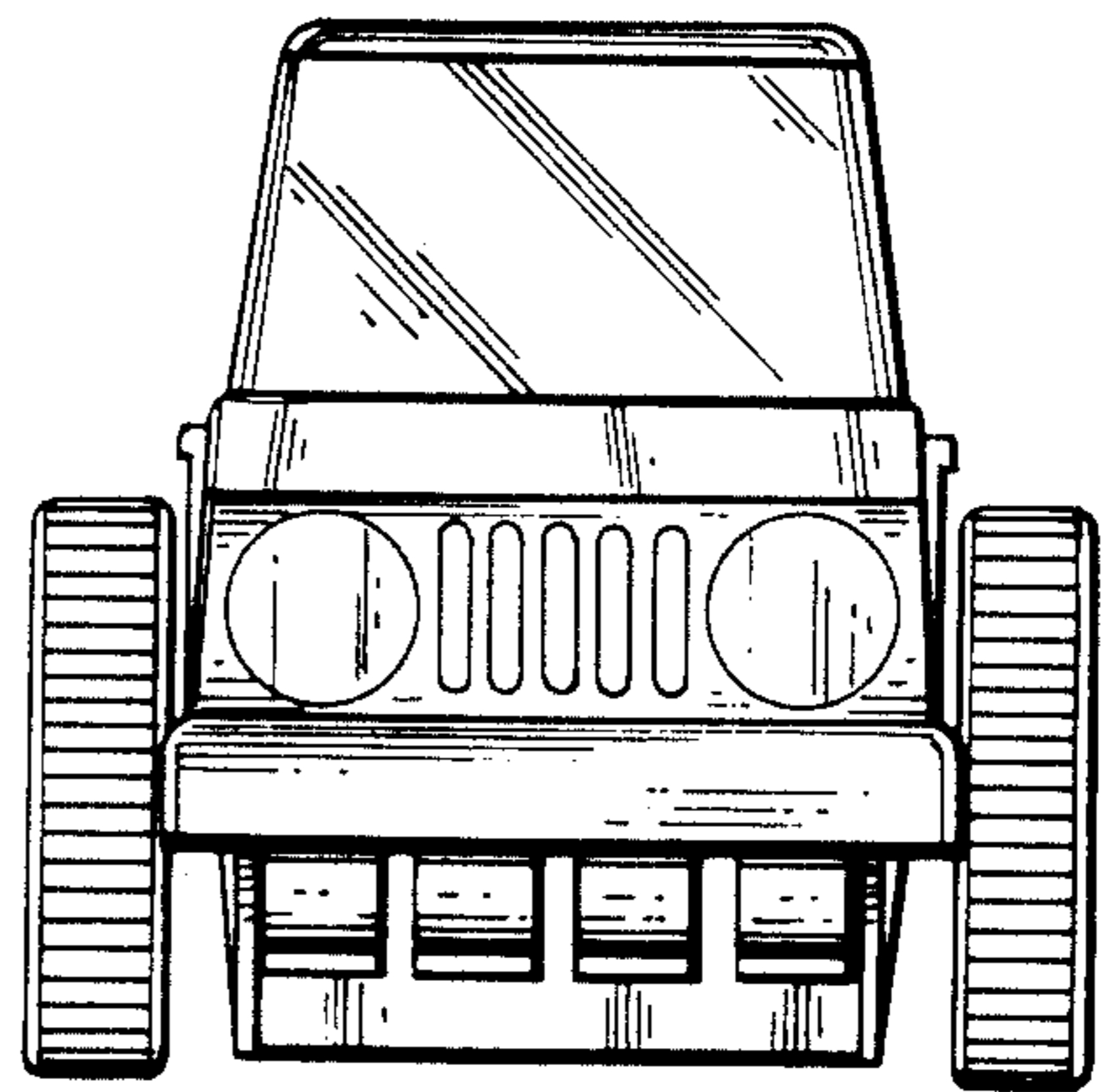


FIG. 4

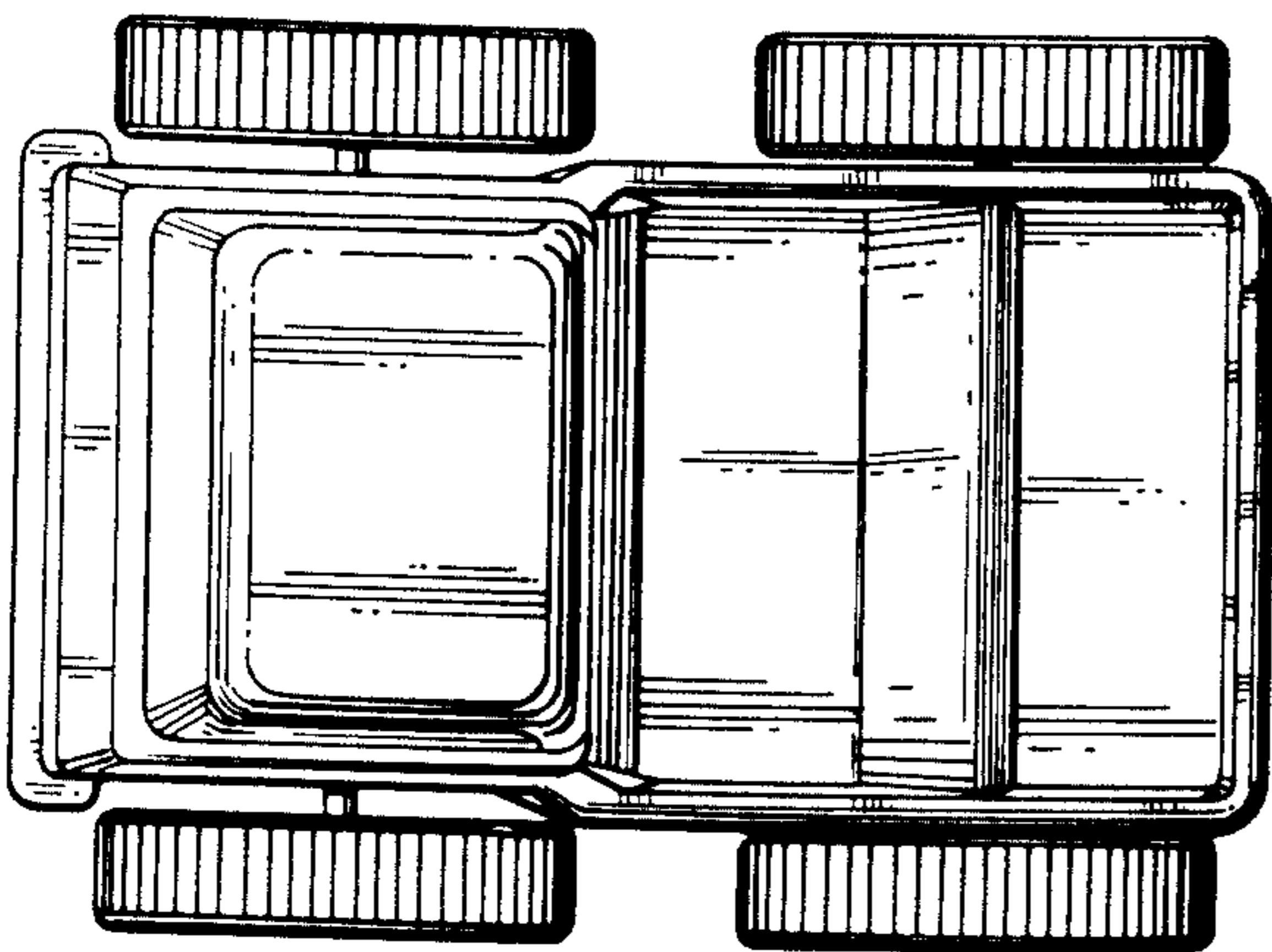


FIG. 5

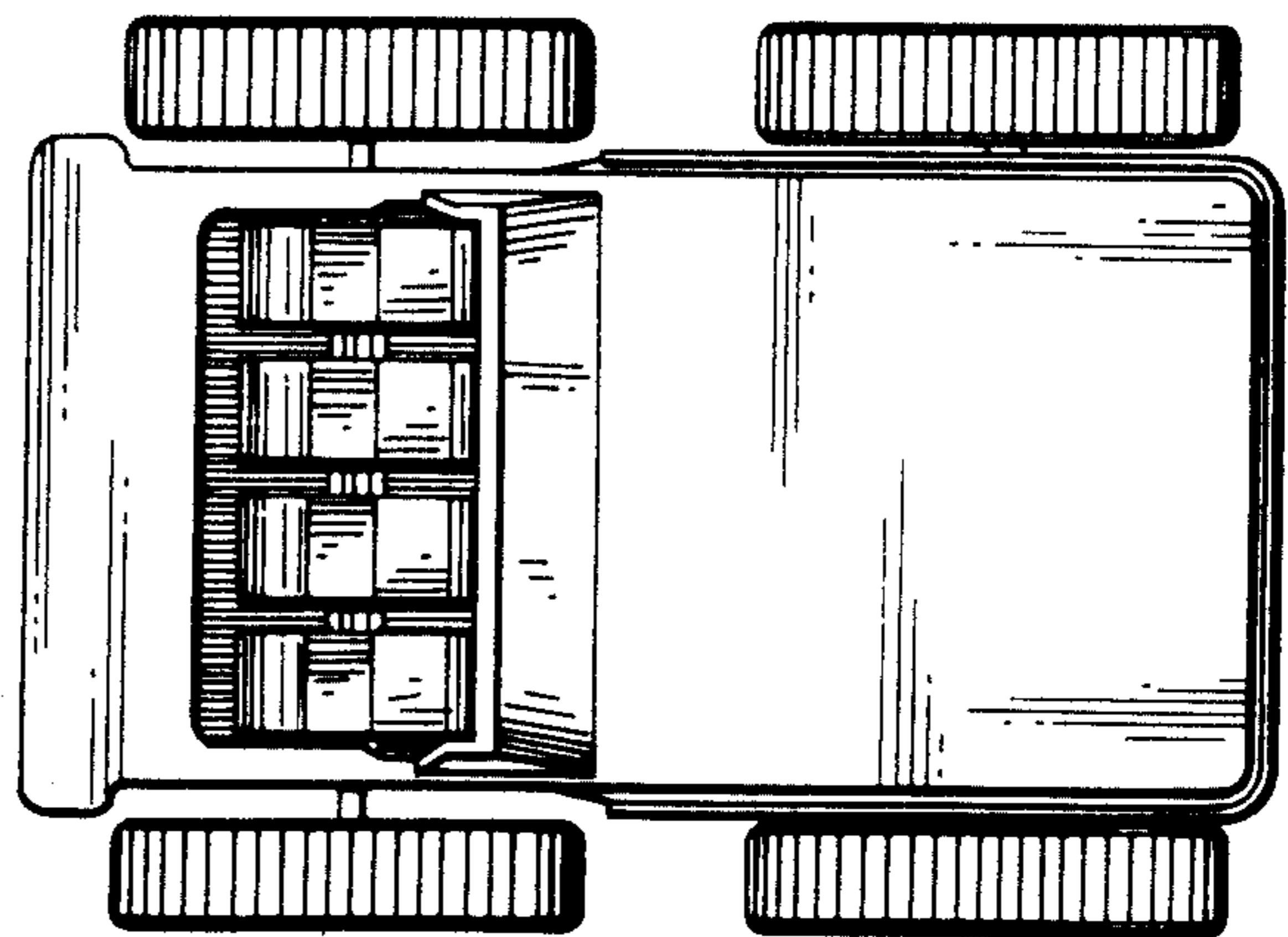


FIG. 6