

[54] SIT-UP BATHTUB

[75] Inventors: **Thomas Brengord; Robert D. Copeland**, both of Erie, Pa.

[73] Assignee: **American Sterilizer Company**, Erie, Pa.

[**] Term: **14 Years**

[21] Appl. No.: **739,336**

[22] Filed: **Nov. 5, 1976**

| | | | |
|------------|---------|----------------------|---------|
| D. 104,933 | 6/1937 | Vaughan | D23/55 |
| D. 225,225 | 11/1972 | Russell | D23/55 |
| 2,569,825 | 10/1951 | Otis | 4/185 S |
| 2,971,520 | 2/1961 | Motis et al. | 4/148 X |
| 2,977,604 | 4/1961 | Miller | 4/173 X |
| 2,991,482 | 7/1961 | Brass | 4/173 |
| 3,066,316 | 12/1962 | Russell | 4/173 |
| 3,371,354 | 3/1968 | Hayslett | 4/173 |
| 3,423,769 | 1/1969 | Cowley | 4/173 |
| 3,662,409 | 5/1972 | Johansson | 4/173 |
| 3,663,971 | 5/1972 | Bonhote | 4/173 |
| 3,719,960 | 3/1973 | Russell | 4/173 |
| 3,863,275 | 2/1975 | Brengord et al. | 4/173 |

Related U.S. Application Data

[63] Continuation-in-part of Ser. No. 302,106, Oct. 30, 1972, abandoned.

[51] Int. Cl. D23—02

[52] U.S. Cl. D23/55

[58] Field of Search D23/48, 49, 50, 52, D23/55, 56, 57; D24/37, 38; 4/146, 147, 148, 152, 154, 162, 172, 173, 175, 177, 180, 185 S

[56] **References Cited**

U.S. PATENT DOCUMENTS

D. 89,062 1/1933 Vanderbilt D23/55

Primary Examiner—James R. Largen

Attorney, Agent, or Firm—Charles L. Lovercheck

[57] **CLAIM**

The ornamental design for a sit-up bathtub, as shown.

DESCRIPTION

FIG. 1 is a front prospective view of a sit-up bathtub showing our new design.

FIG. 2 is a top plane view thereof.

FIG. 3 is a cross-sectional view taken on line 3—3 of FIG. 2.

FIG. 4 is a cross-sectional view taken on line 4—4 of FIG. 2.

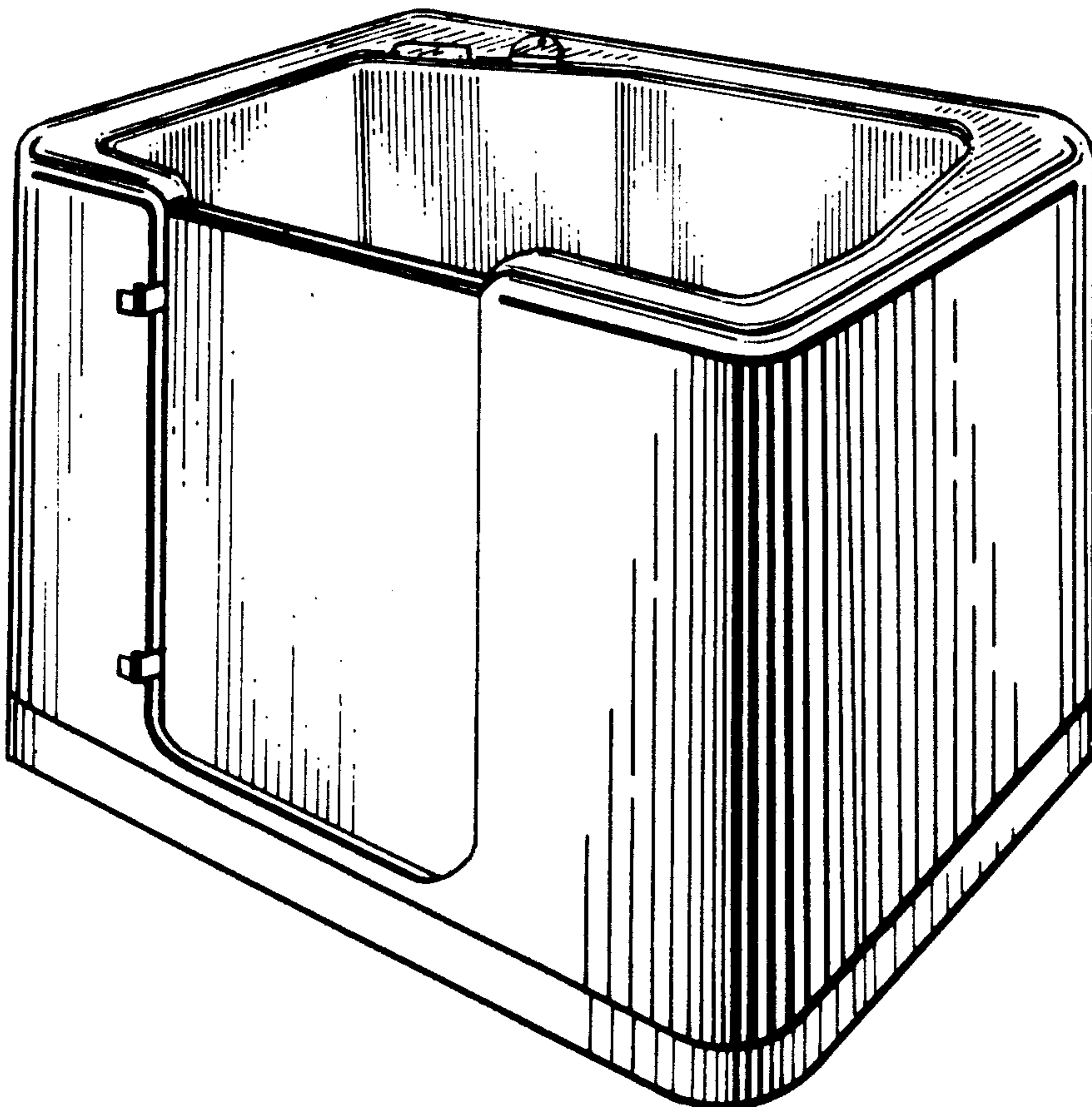


FIG. 1

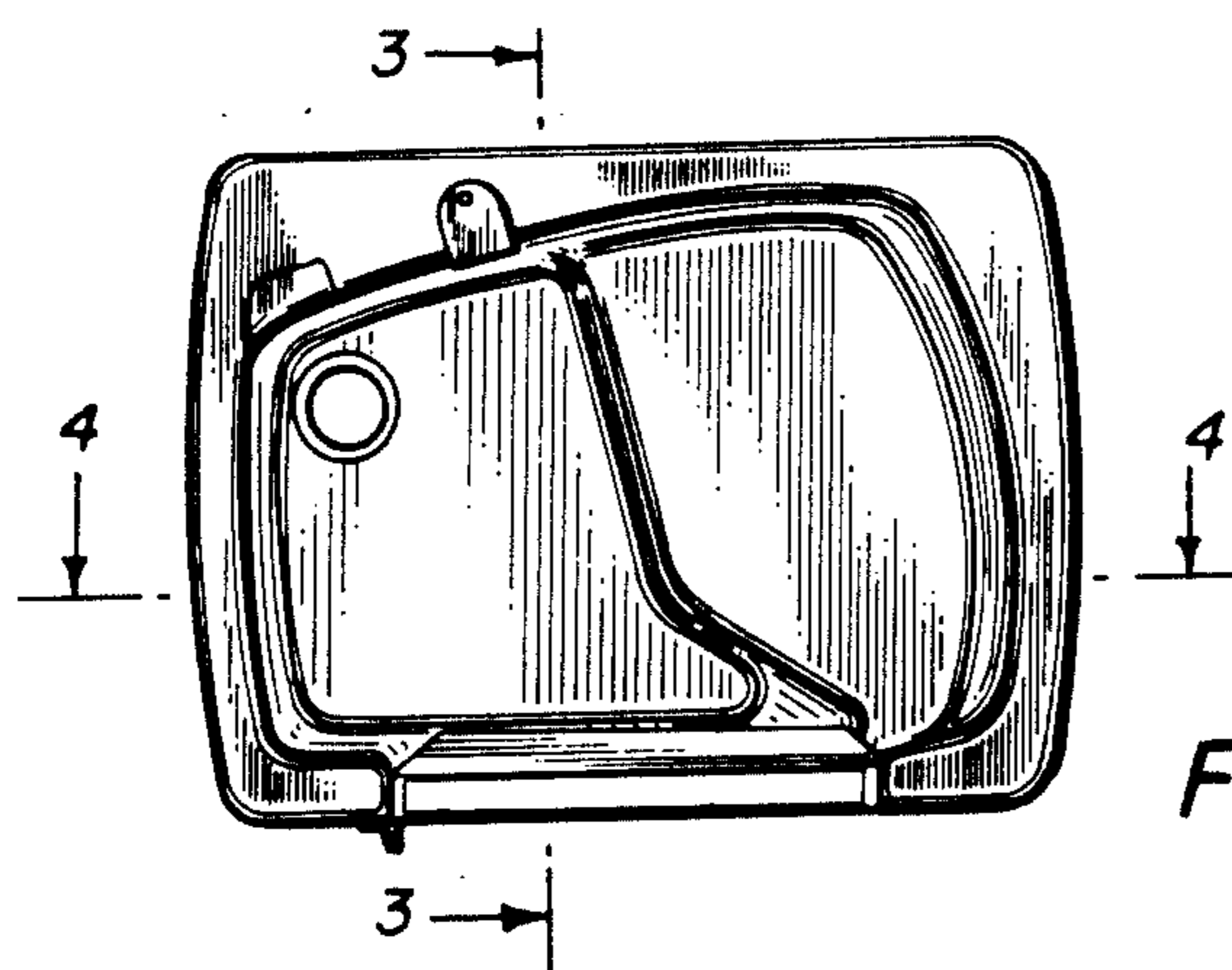
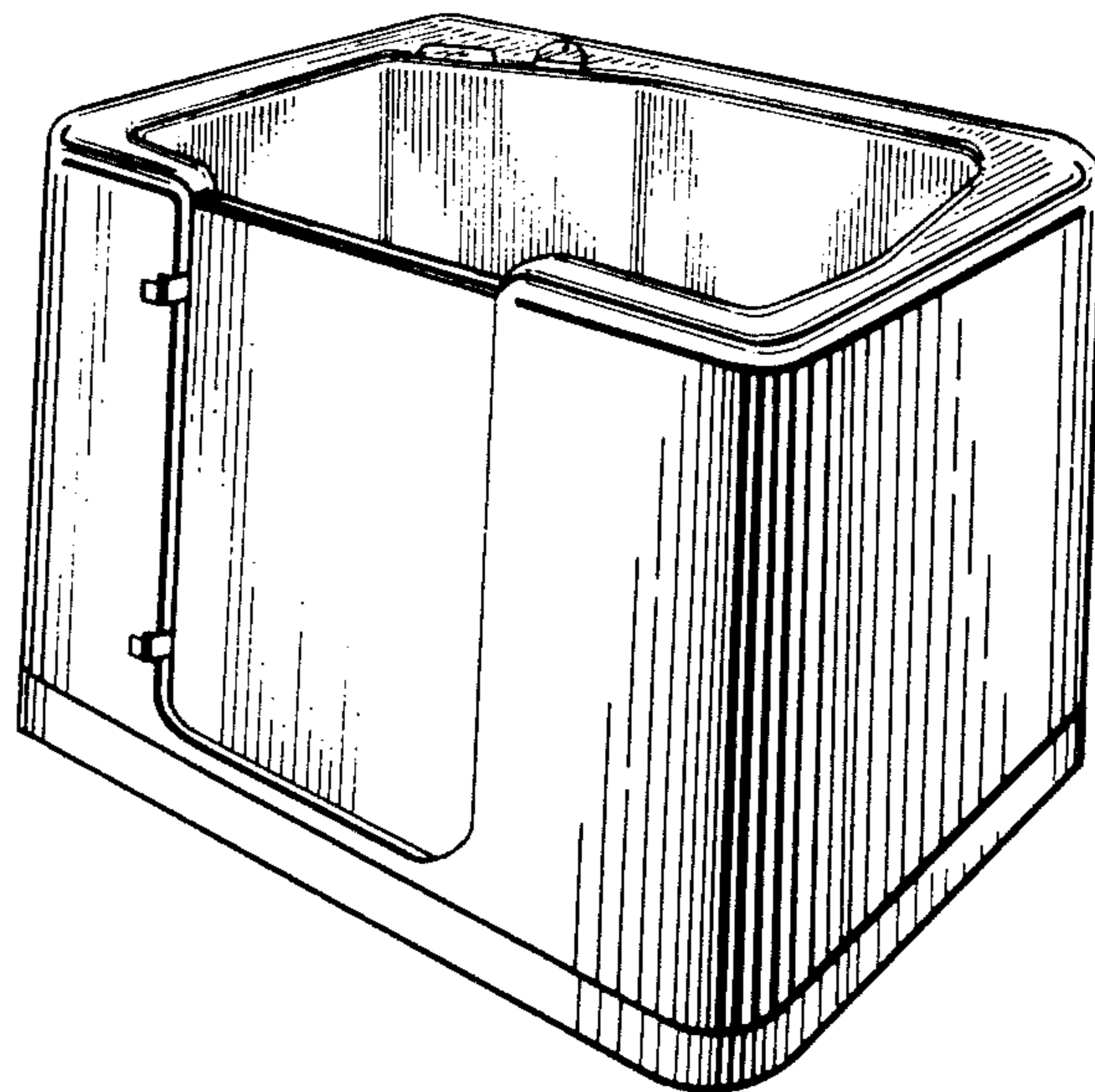


FIG. 2

FIG. 3

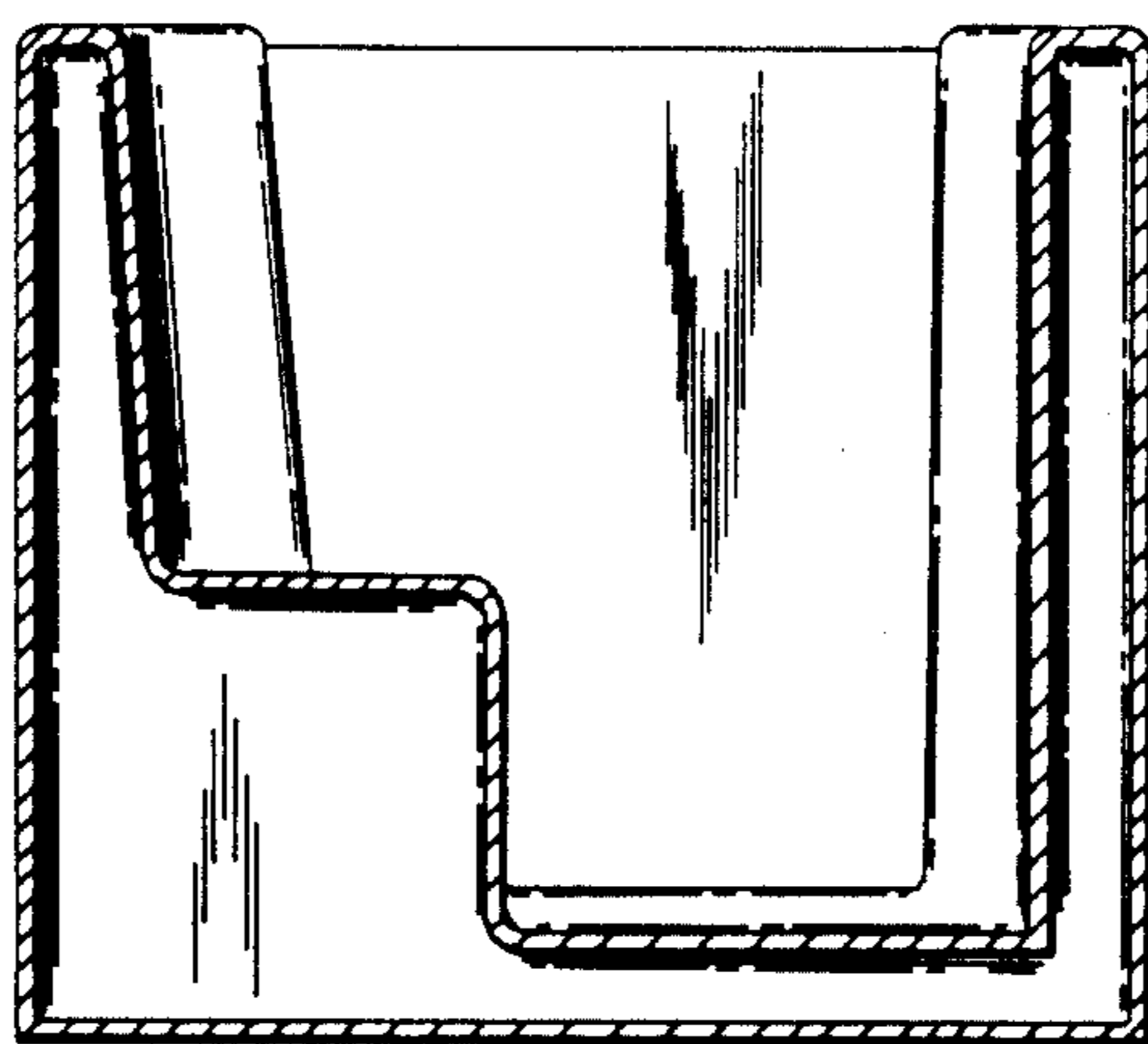
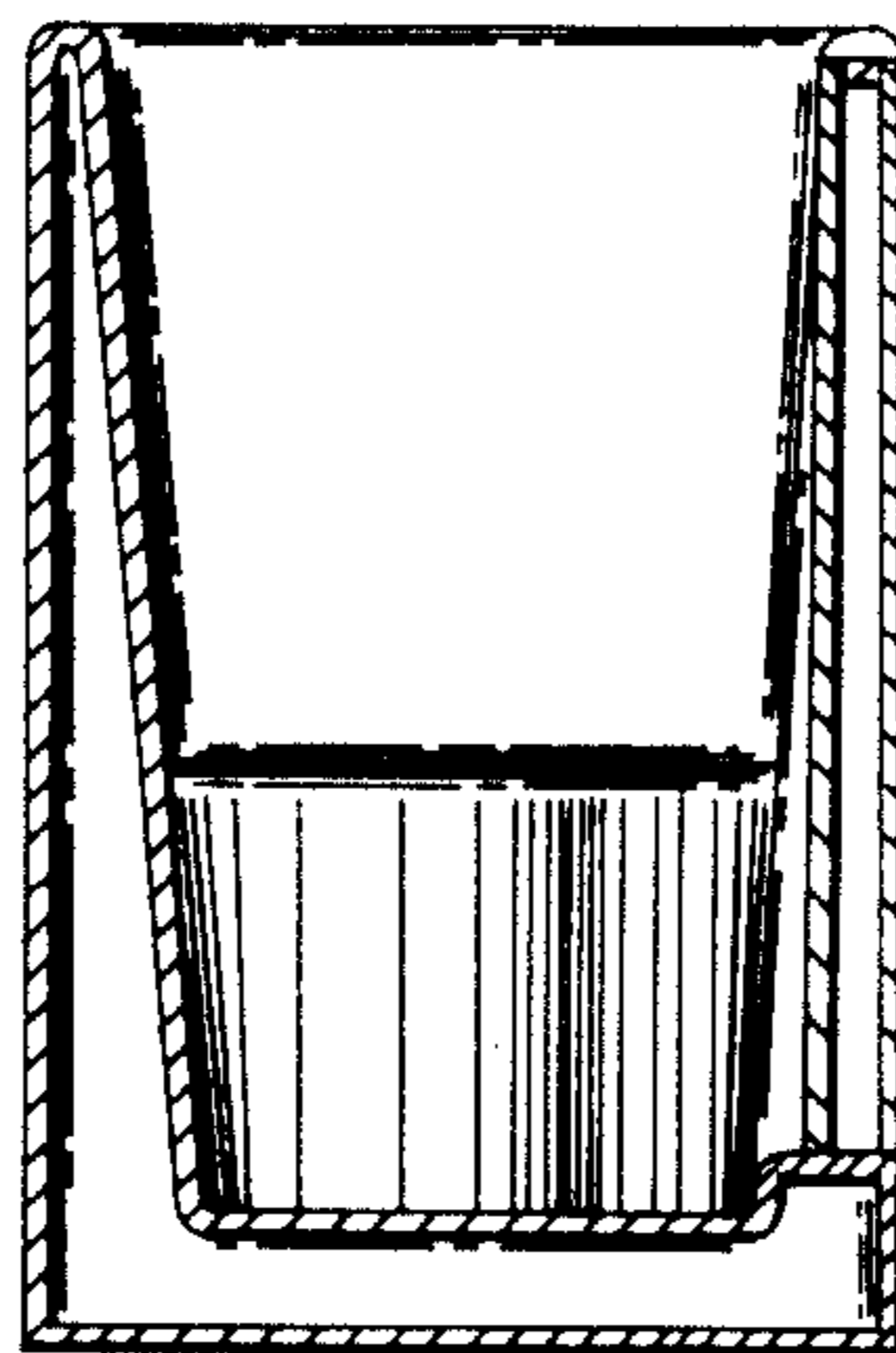


FIG. 4

UNITED STATES PATENT OFFICE
CERTIFICATE OF CORRECTION

Patent No. D-248,107 Dated June 6, 1978

Inventor(s) Thomas Brendgord and Robert D. Copeland

It is certified that error appears in the above-identified patent and that said Letters Patent are hereby corrected as shown below:

The inventor's name, Thomas Brendgord, was erroneously misspelled as "Thomas Brengord".

Signed and Sealed this

Thirteenth Day of *February* 1979

[SEAL]

Attest:

RUTH C. MASON
Attesting Officer

DONALD W. BANNER
Commissioner of Patents and Trademarks