

[54] POWDER DETERGENT DISPENSER

[75] Inventors: Spencer Brian Larson, South St. Paul;
Duane Leroy Salmonson, West St. Paul, both of Minn.

[73] Assignee: Economics Laboratory, Inc., St. Paul, Minn.

[**] Term: 14 Years

[21] Appl. No.: 639,844

[22] Filed: Dec. 11, 1975

[51] Int. Cl. D15-05

[52] U.S. Cl. D15/36; D15/56

[58] Field of Search 222/67, 56, 181, 510,
222/462, 460; 23/271, 267 A, 267 R, 267 B, 267
E; D15/199, 36, 56; D6/95; D23/1, 2, 3;
134/93

[56] References Cited

U.S. PATENT DOCUMENTS

D. 51,447 10/1917 Walker D15/36

D. 233,197	10/1974	Findlay et al.	D6/95
1,287,023	12/1918	Hornung	222/181
2,371,720	3/1945	Stine	23/271 R
2,858,196	10/1958	Ballard et al.	23/267 R
3,595,438	7/1971	Dalgy et al.	23/271 X
3,627,555	12/1971	Driscoll	222/56
3,850,344	11/1974	Burge et al.	23/271 X
4,020,865	5/1977	Moffat et al.	23/267 E X

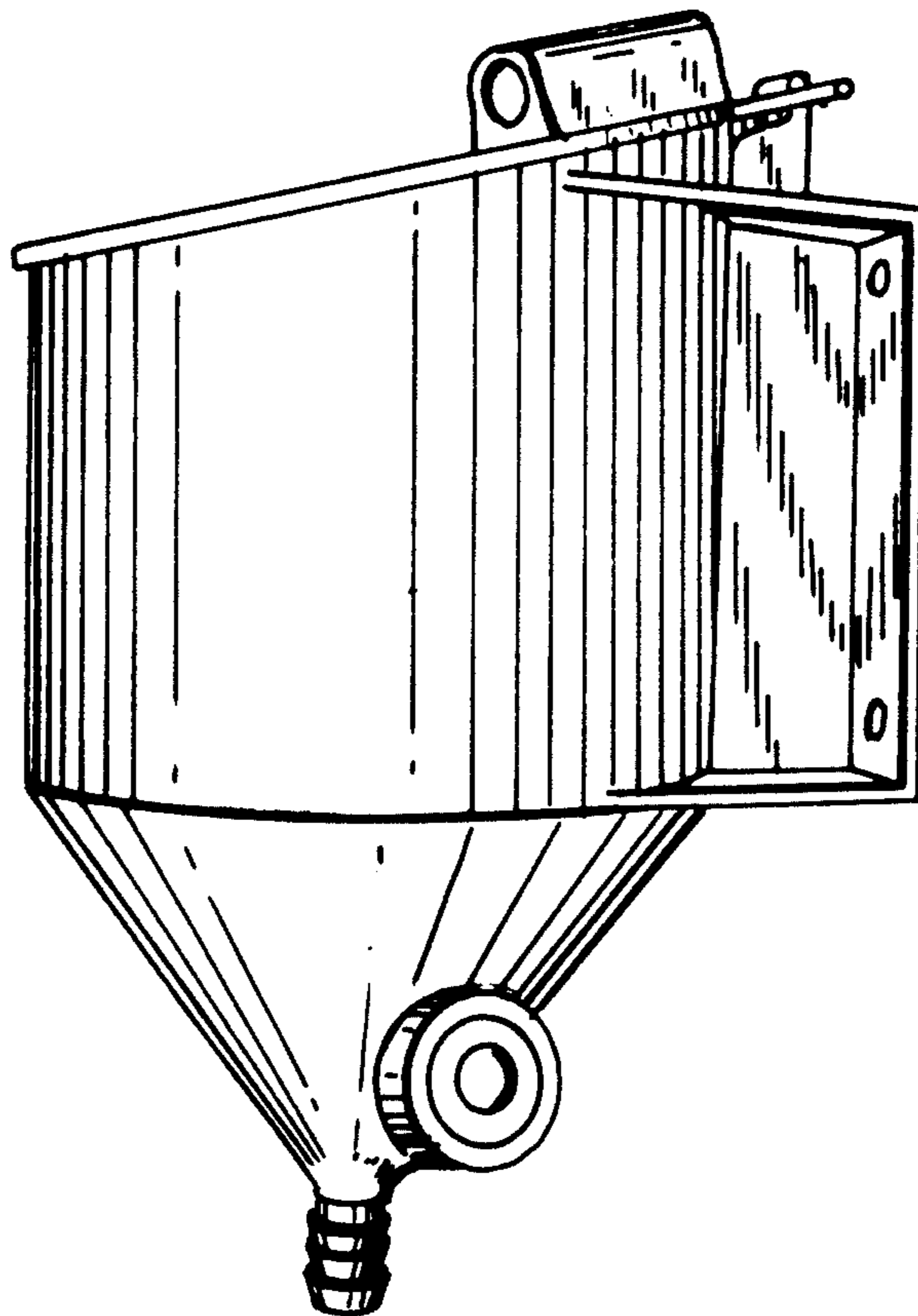
Primary Examiner—Wallace R. Burke
Assistant Examiner—Catherine Kemper
Attorney, Agent, or Firm—Ralph F. Merchant

[57] CLAIM

The ornamental design for a powder detergent dispenser, as shown and described.

DESCRIPTION

FIG. 1 is a front perspective view of a powder detergent dispenser showing our new design;
FIG. 2 is a top plan view thereof, shown on a larger scale;
FIG. 3 is a side elevational view thereof;
FIG. 4 is a rear elevational view thereof;
FIG. 5 is a bottom plan view thereof.



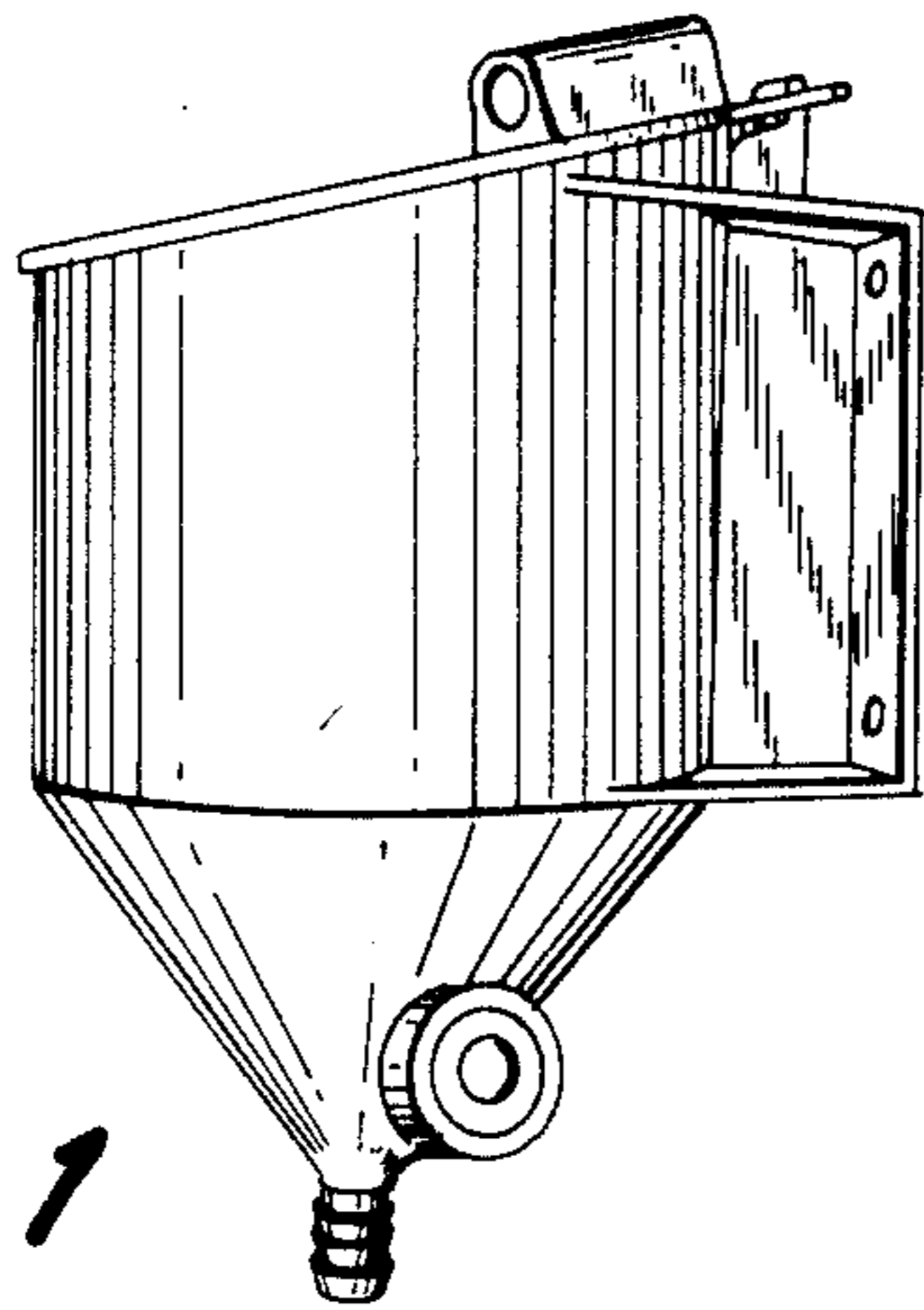


FIG. 1

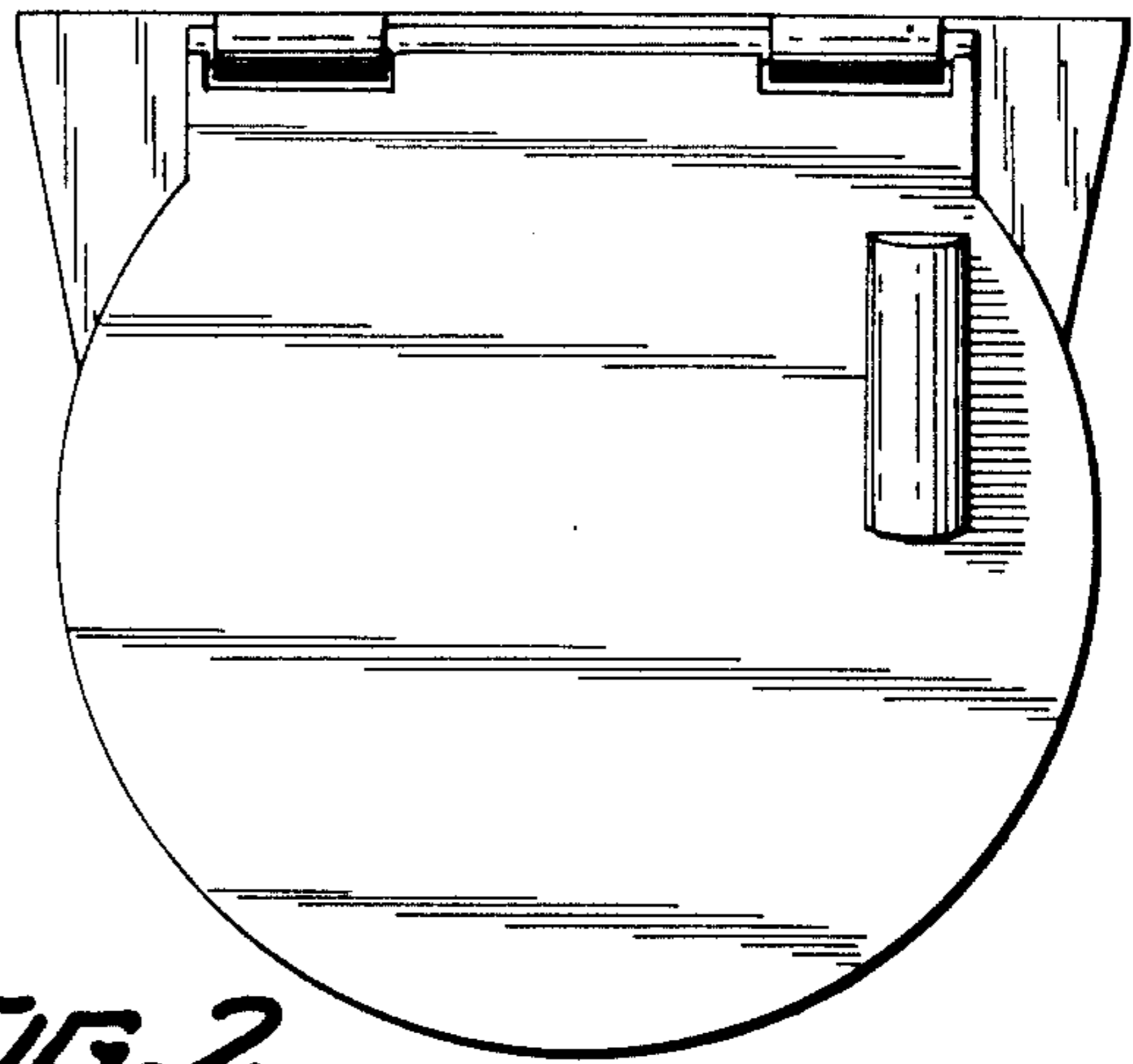


FIG. 2

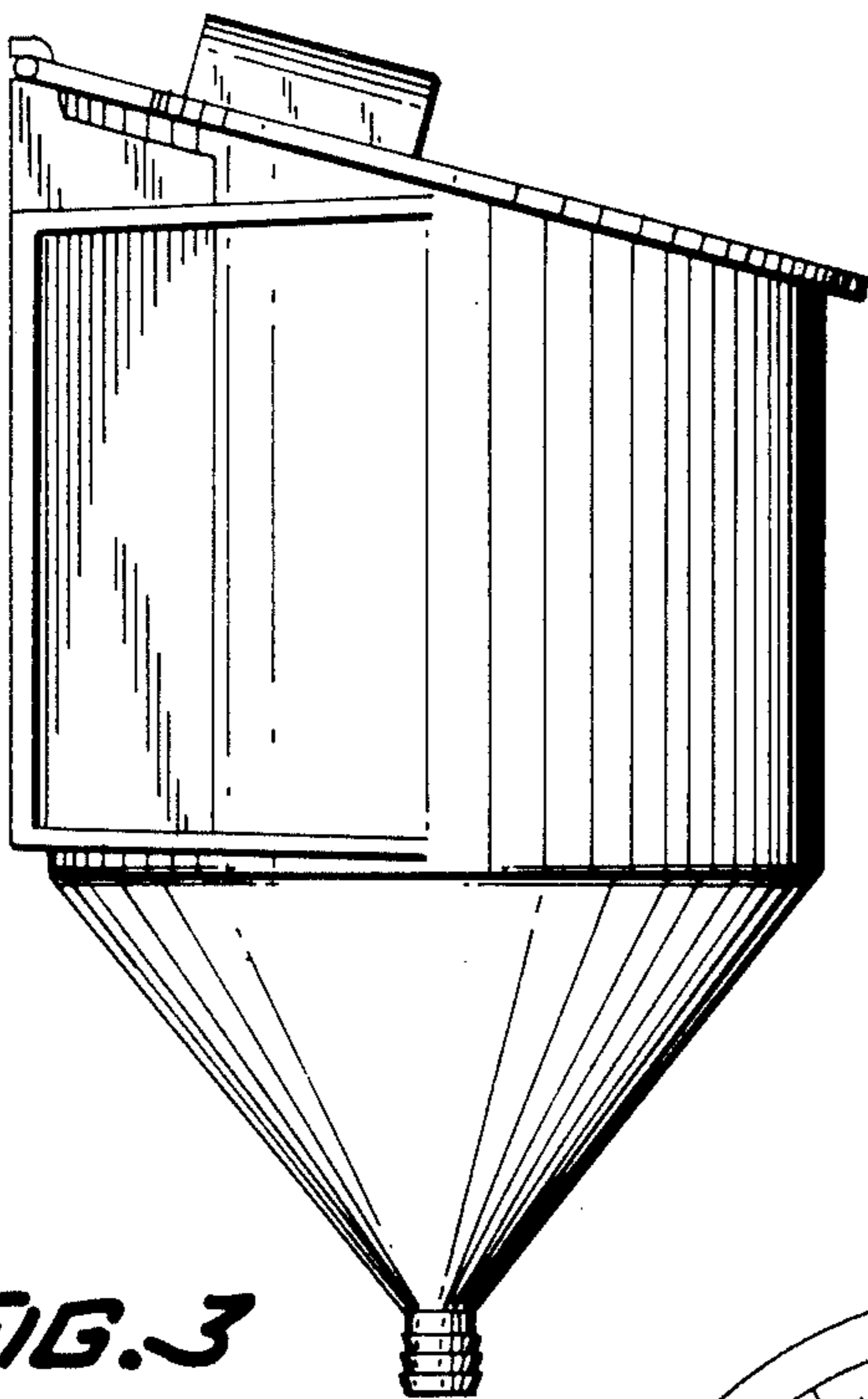


FIG. 3

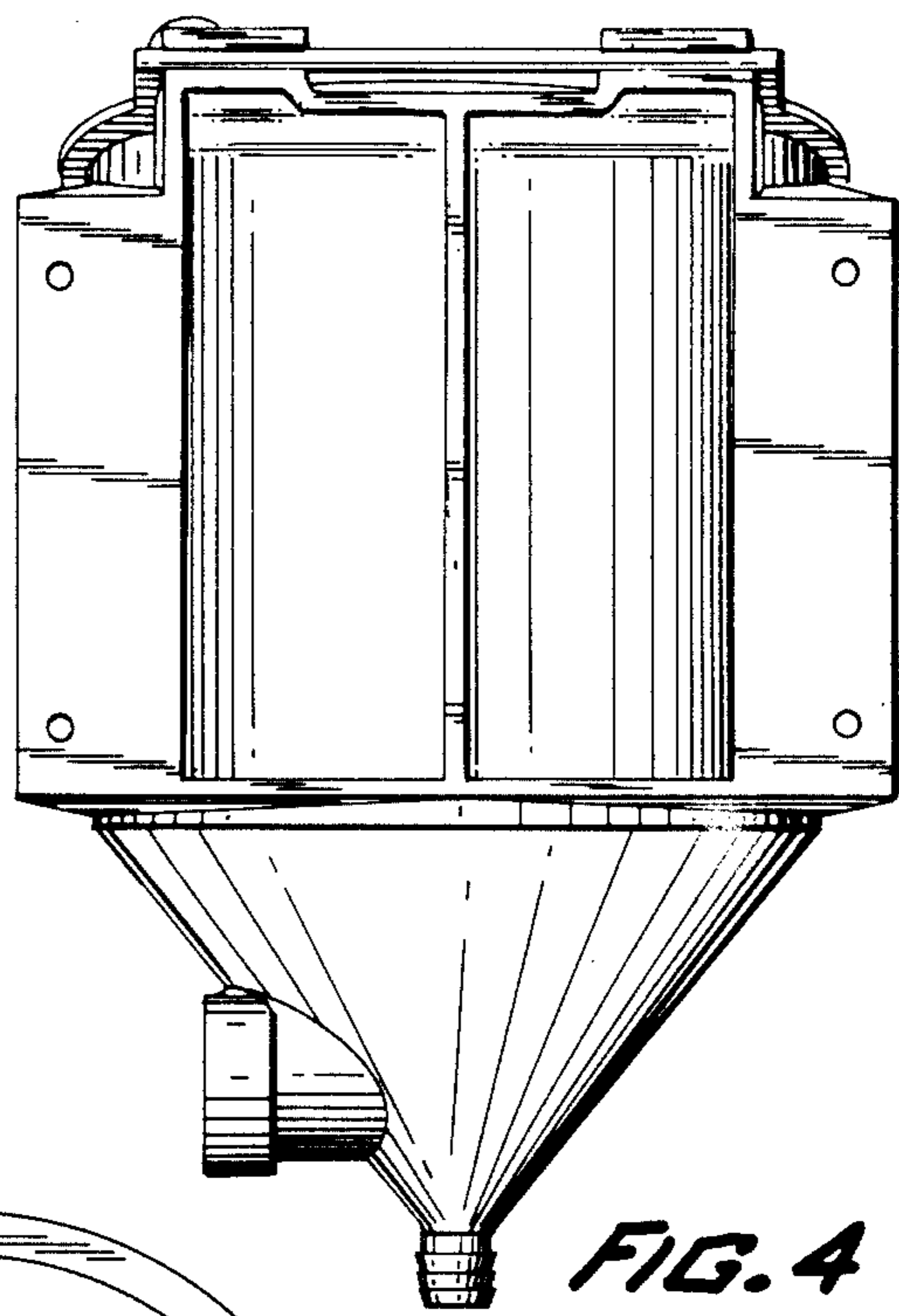


FIG. 4

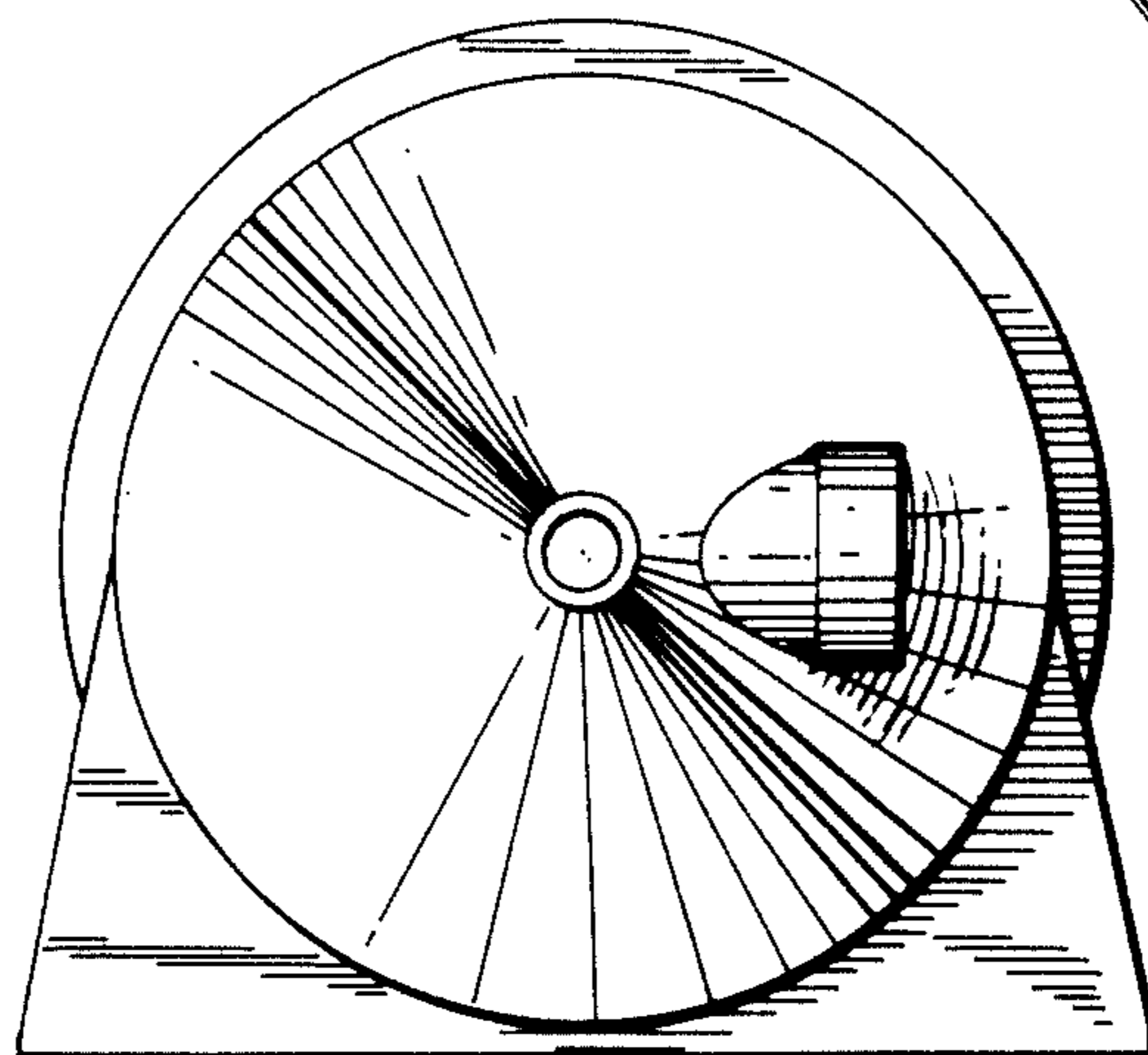


FIG. 5