

[54] ANALYTICAL INSTRUMENT SYSTEM

[75] Inventors: Eugene N. Giancarlo; James J. Ladue, both of Wappingers Falls, N.Y.

[73] Assignee: International Business Machines Corporation, Armonk, N.Y.

[**] Term: 14 Years

[21] Appl. No.: 619,105

[22] Filed: Oct. 2, 1975

[51] Int. Cl. D14-02

[52] U.S. Cl. D14/40

[58] Field of Search D14/40-50; D13/40

[56] References Cited

U.S. PATENT DOCUMENTS

D. 218,434	8/1970	Graham et al.	D14/44
D. 225,645	12/1972	Bixler et al.	D14/44
D. 233,759	11/1974	Pycha et al.	D14/44
D. 234,600	3/1975	Giancarlo	D14/40

OTHER PUBLICATIONS

I.B.M. System/360 Summary, File No. S360-00, 1966, p. 19, Inquiry Display Terminal.

Primary Examiner—Susan J. Lucas
Attorney, Agent, or Firm—William S. Robertson

[57] CLAIM

The ornamental design for an analytical instrument system, as shown and described.

DESCRIPTION

FIG. 1 is a front right perspective of our analytical instrument system embodied as a film thickness analyzer;

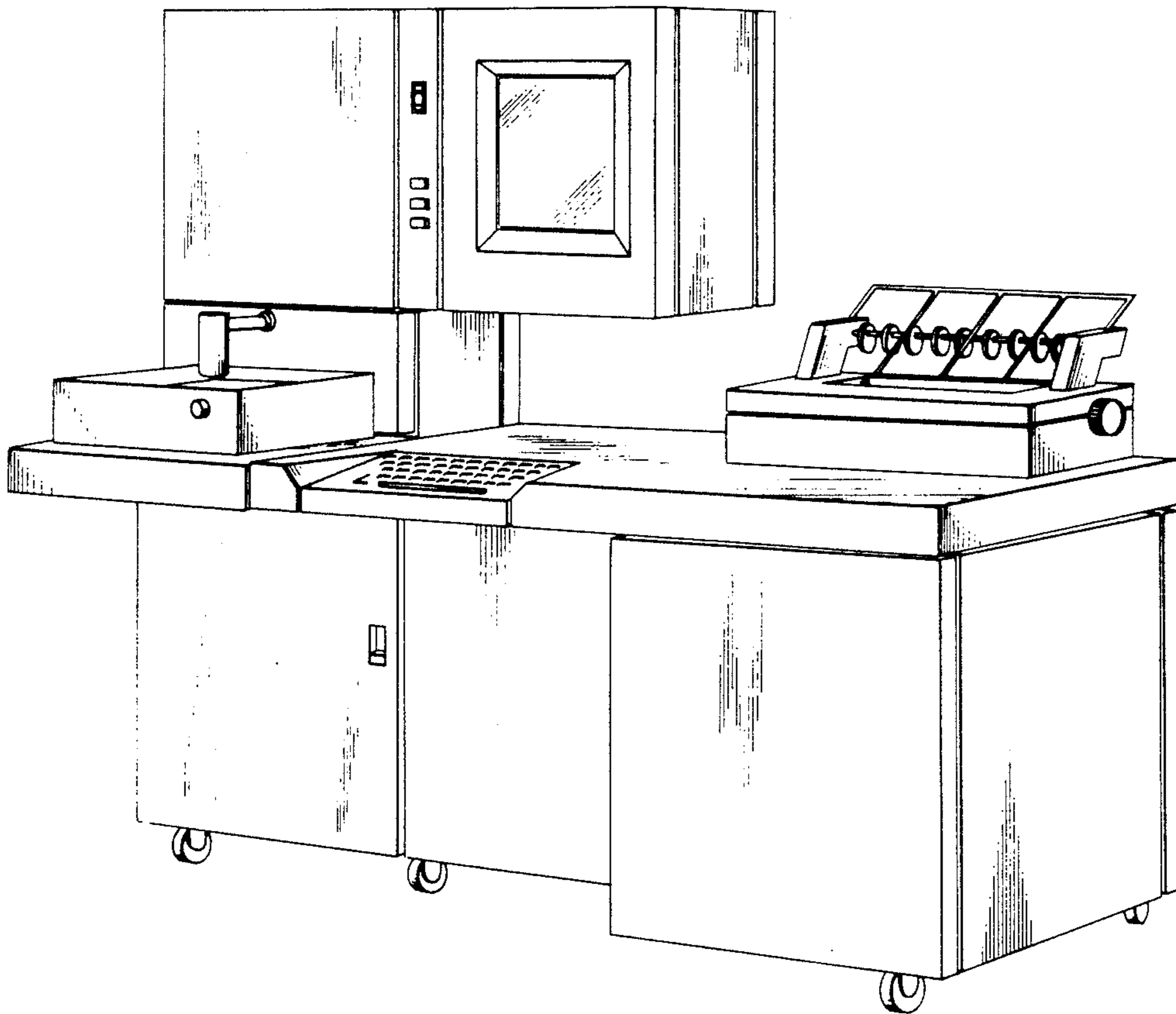
FIG. 2 is a front left perspective of the system of FIG. 1;

FIG. 3 is a back elevation of the system of FIG. 1;

FIG. 4 is a top view of the system of FIG. 1;

FIG. 5 is a front right perspective of our analytical instrument system embodied as a color analyzer for textiles.

The rear of the second embodiment is identical to the rear of the first as shown in FIG. 3.



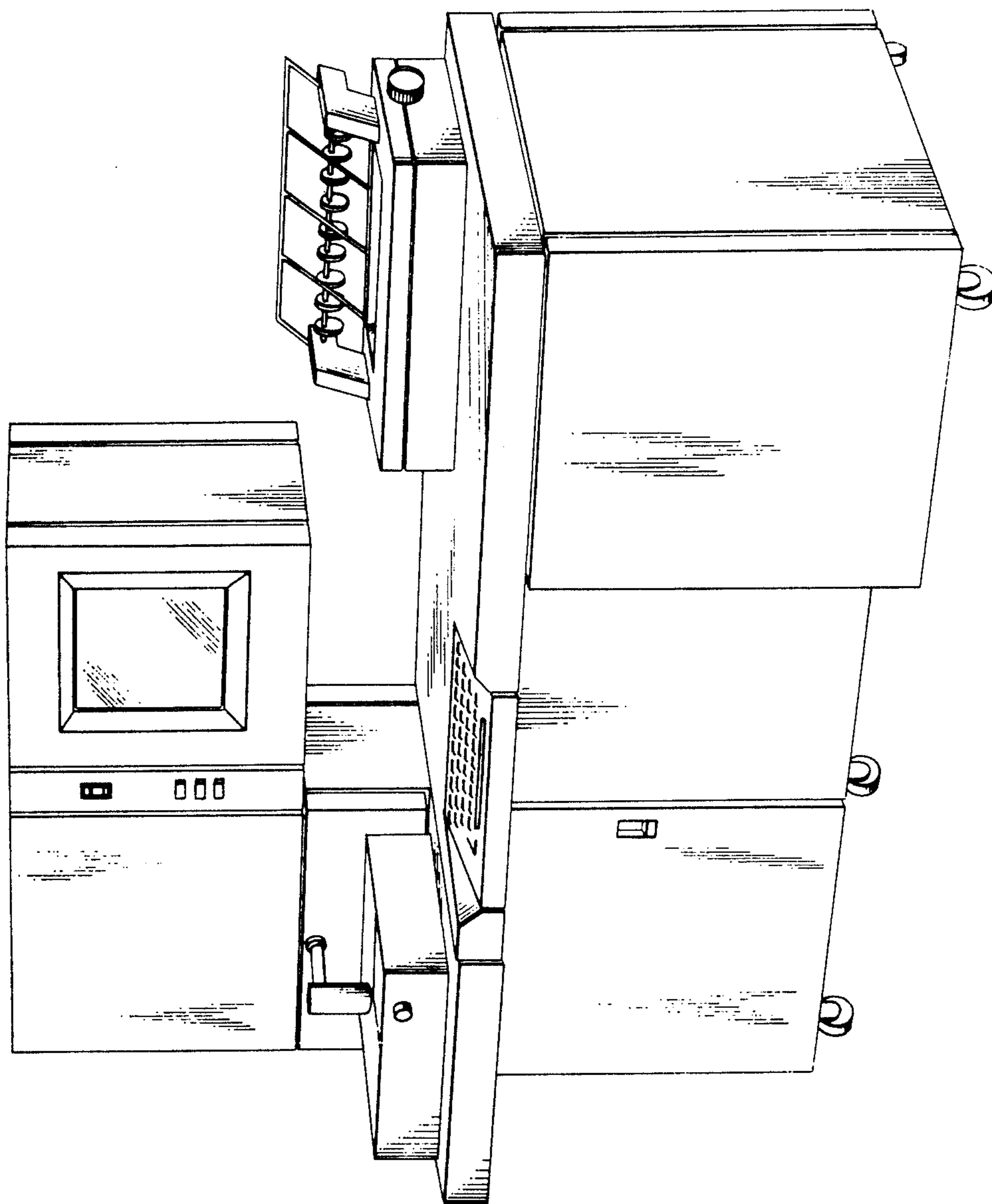


FIG. 1

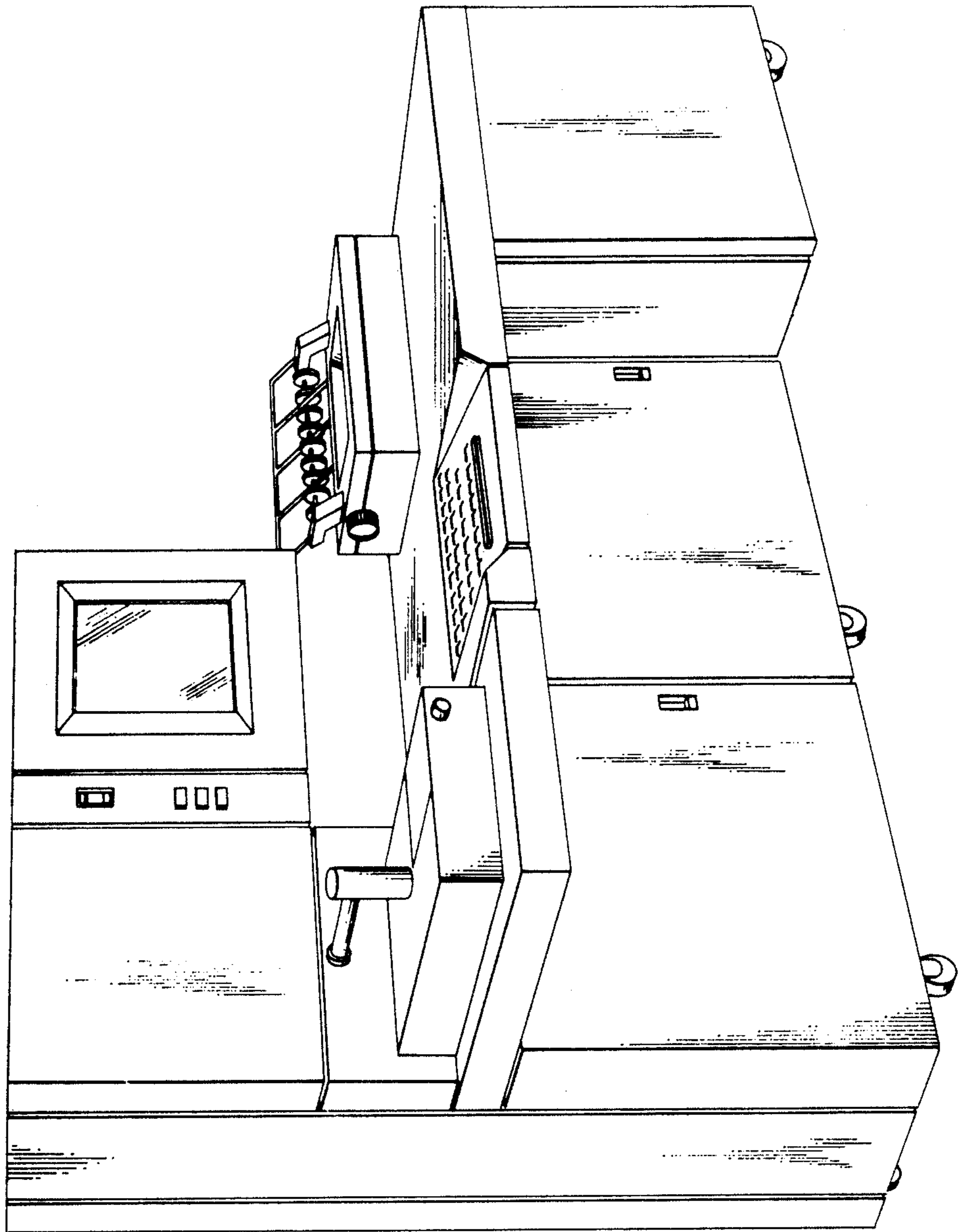


FIG. 2

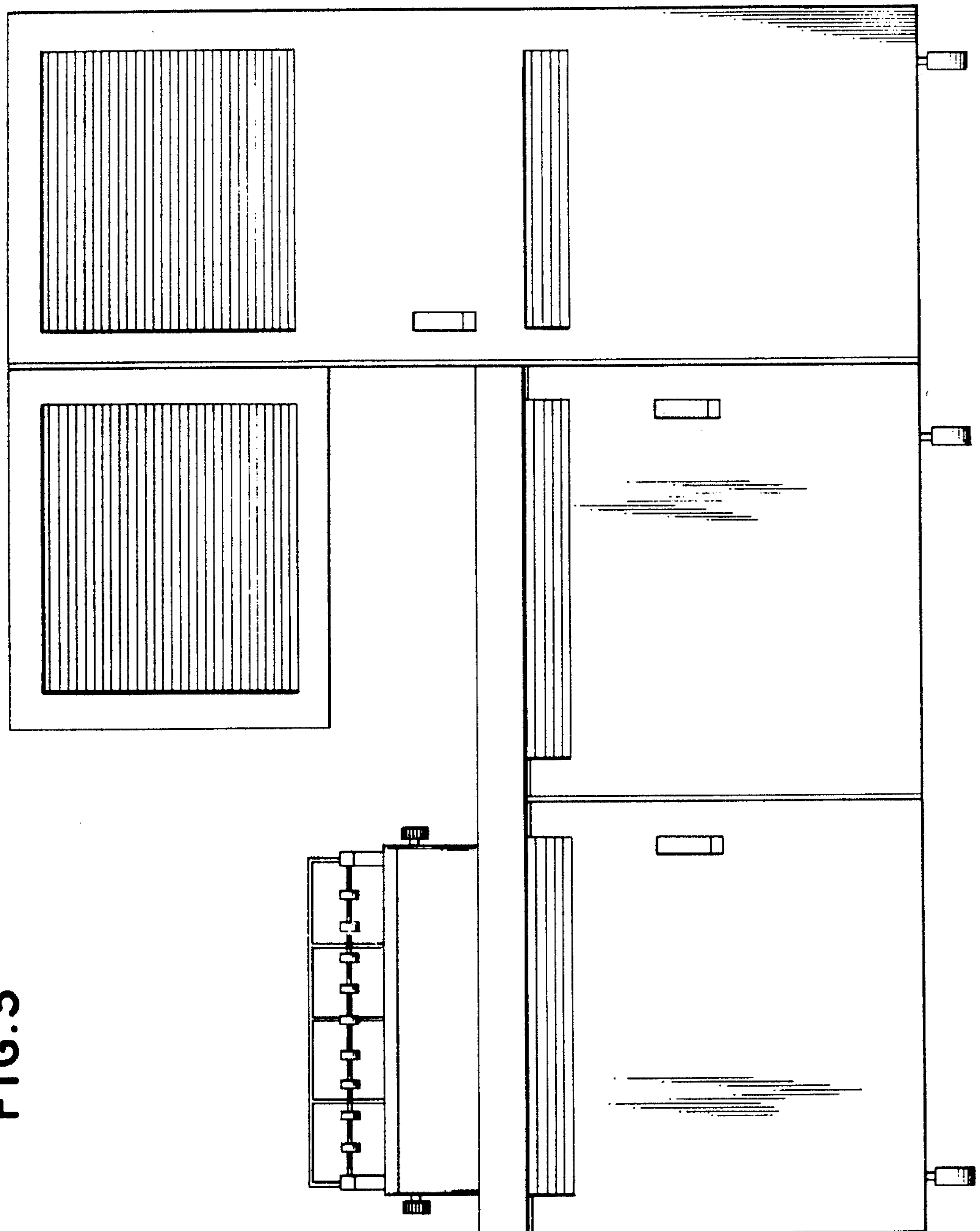


FIG.3

FIG. 4

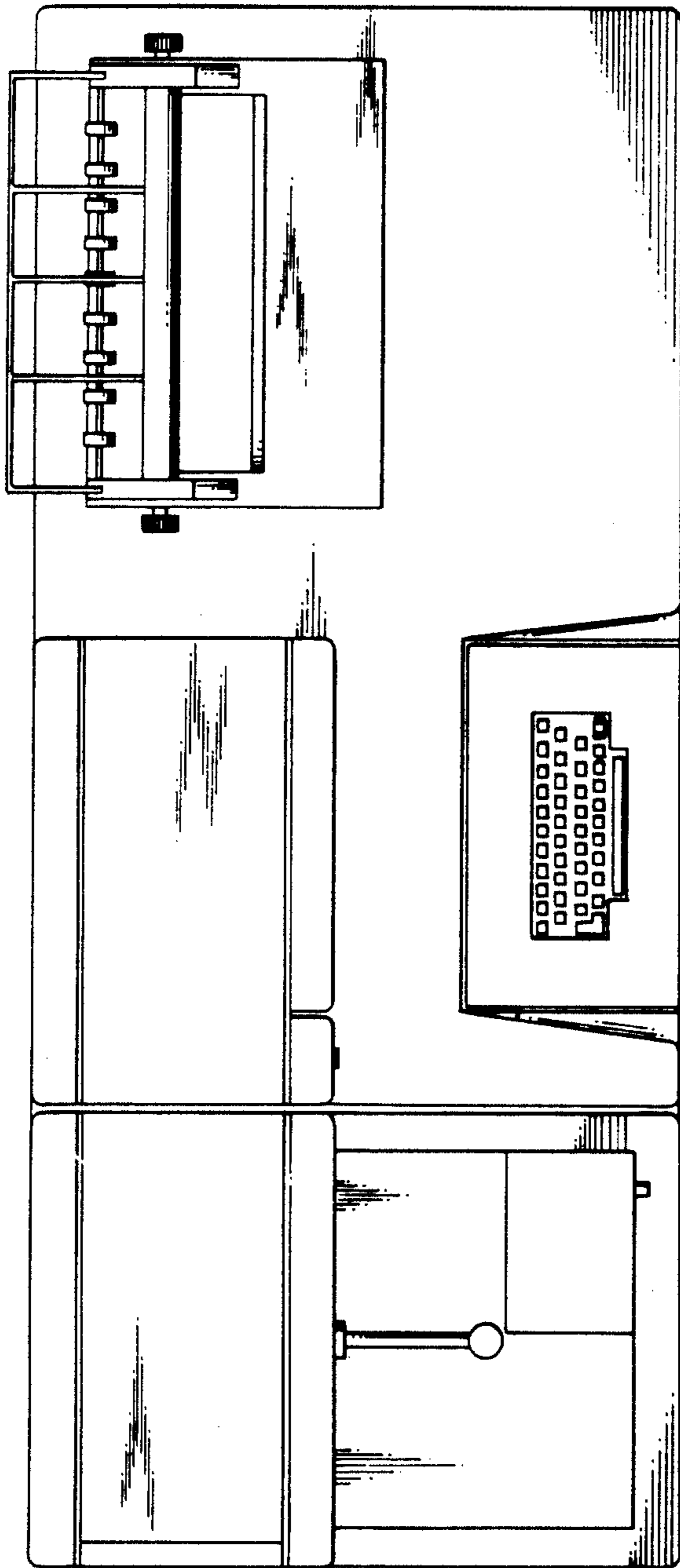


FIG. 5

