

[54] **VEHICLE ROCK GUARD**

[76] Inventor: **Chalmer H. Nix**, 1991 Austin Hwy.,  
San Antonio, Tex. 78218

[\*\*] Term: **14 Years**

[21] Appl. No.: **696,481**

[22] Filed: **Jun. 16, 1976**

[51] Int. Cl. .... **D12-16**

[52] U.S. Cl. .... **D12/190; D12/181**

[58] Field of Search ..... **D12/190, 181, 155;**  
**296/1.5, 95 Q, 95 R, 91; 293/38; 180/69.01, 68**  
**P; 280/153 A, 153 B, 153 R**

2,793,705 5/1957 Garrity ..... D12/181 UX  
3,309,131 3/1967 Saunders ..... 296/91  
3,425,740 2/1969 De Vaughn ..... 296/1.5

*Primary Examiner*—Wallace R. Burke  
*Assistant Examiner*—James M. Gandy  
*Attorney, Agent, or Firm*—Ted D. Lee

[57] **CLAIM**

The ornamental design for a vehicle rock guard, as shown.

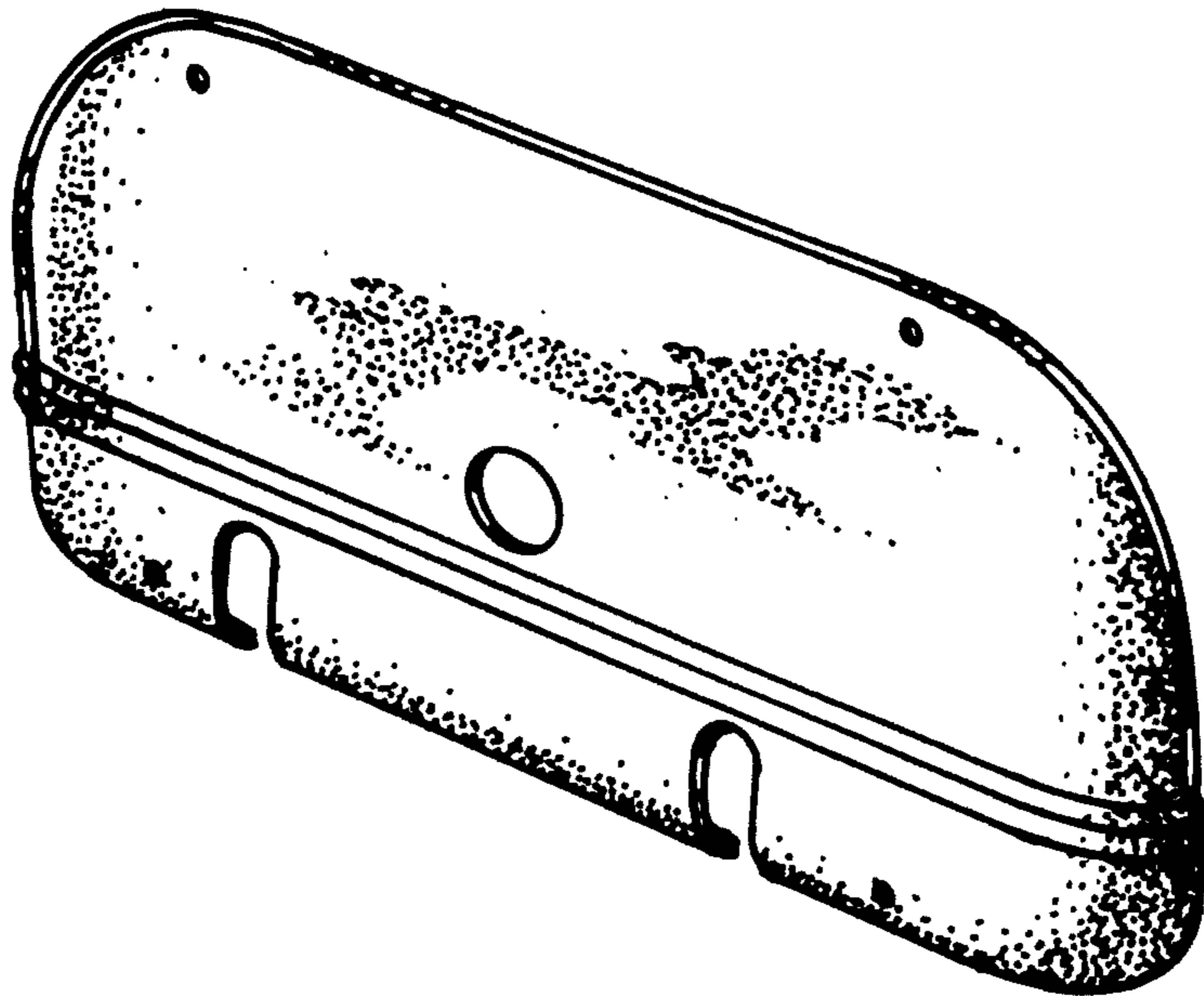
**DESCRIPTION**

FIG. 1 is a perspective view of a vehicle rock guard showing my new design;  
FIG. 2 is a front perspective view thereof, the broken lines being for illustrative purposes only;  
FIG. 3 is a top plan view thereof;  
FIG. 4 is a rear elevational view thereof; and  
FIG. 5 is a left end elevational view thereof.

[56] **References Cited**

**U.S. PATENT DOCUMENTS**

2,778,676 1/1957 Francis ..... 296/95 R  
2,792,254 5/1957 Hagglund ..... 296/91



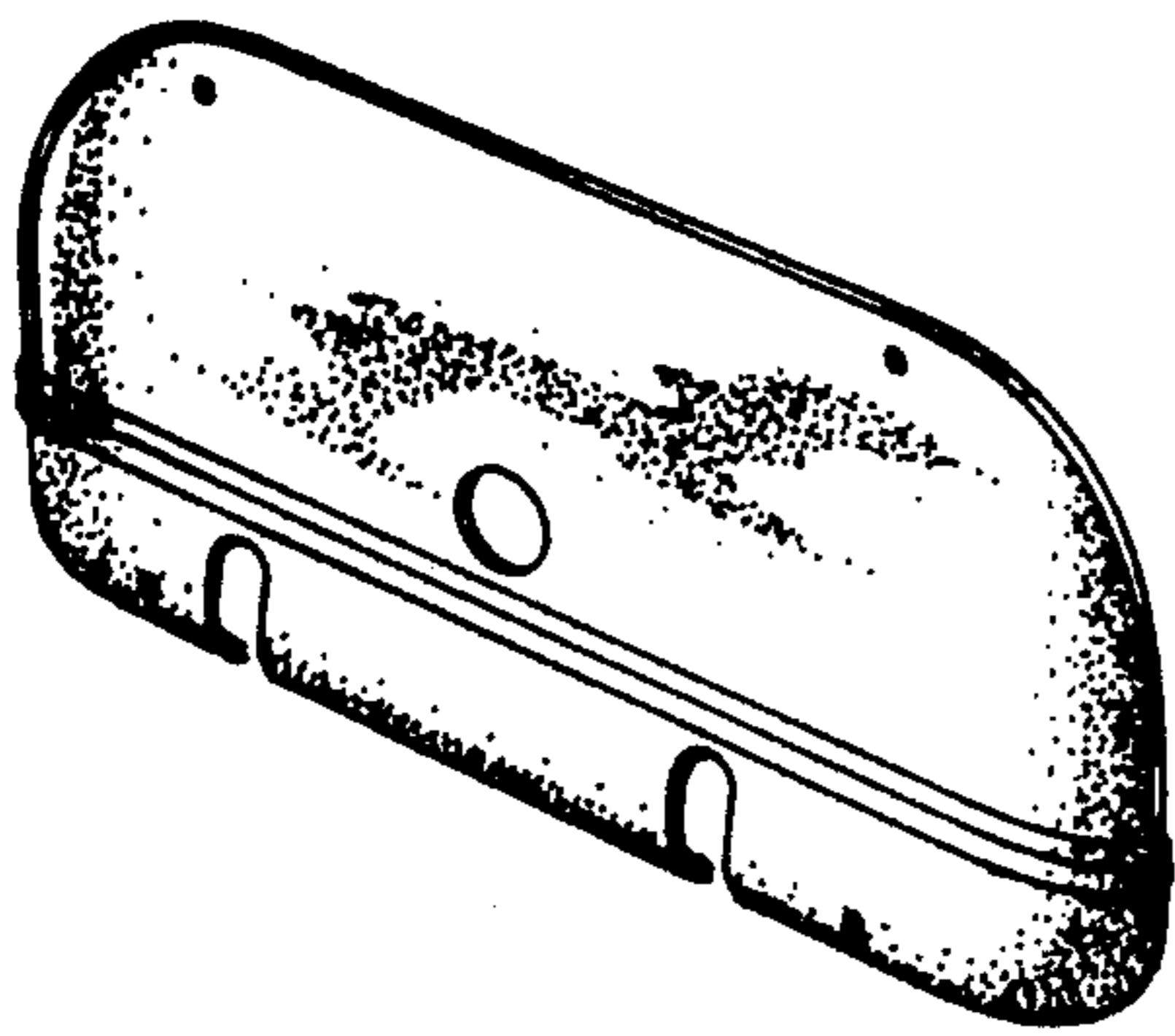


FIG. 1

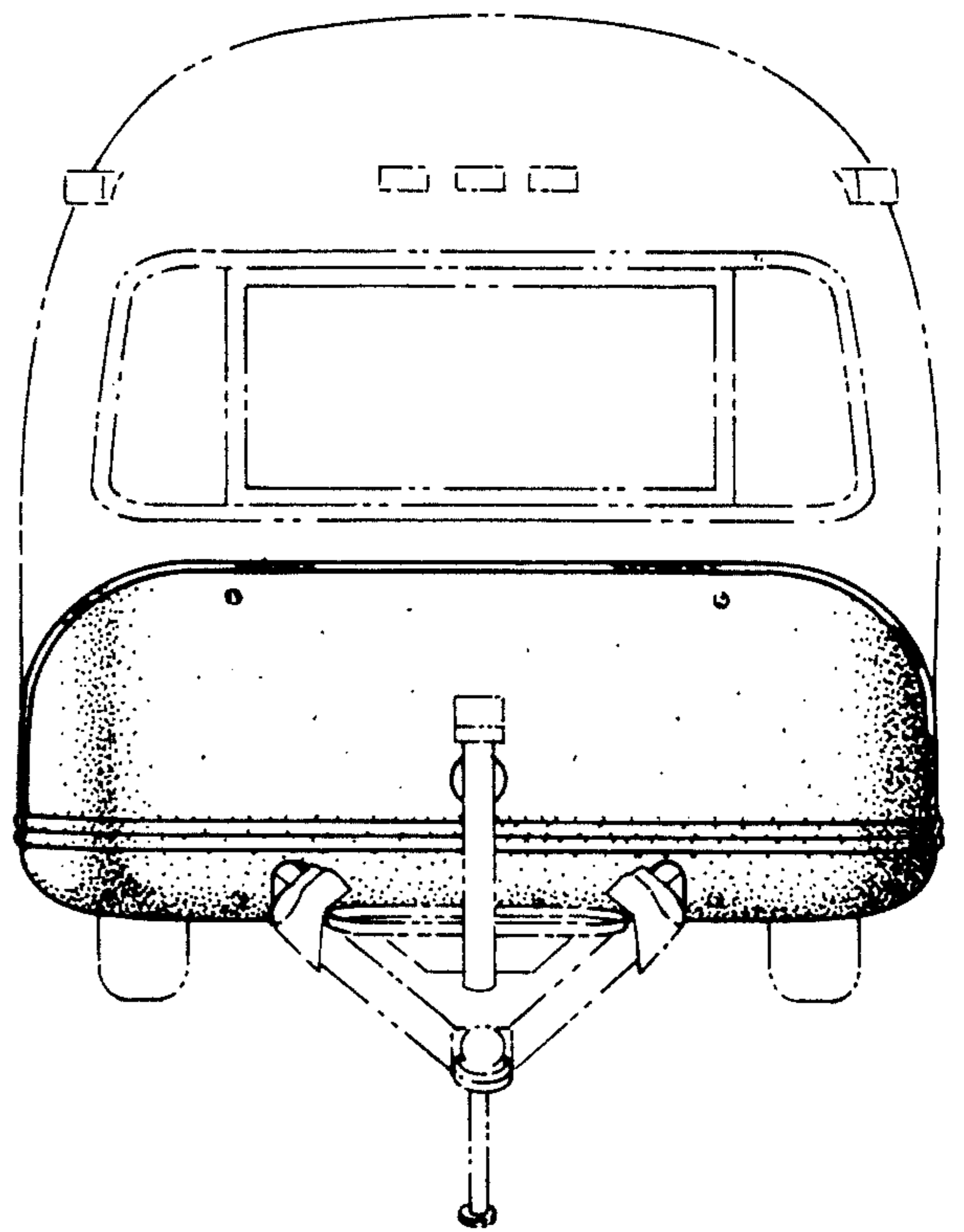


FIG. 2



FIG. 3

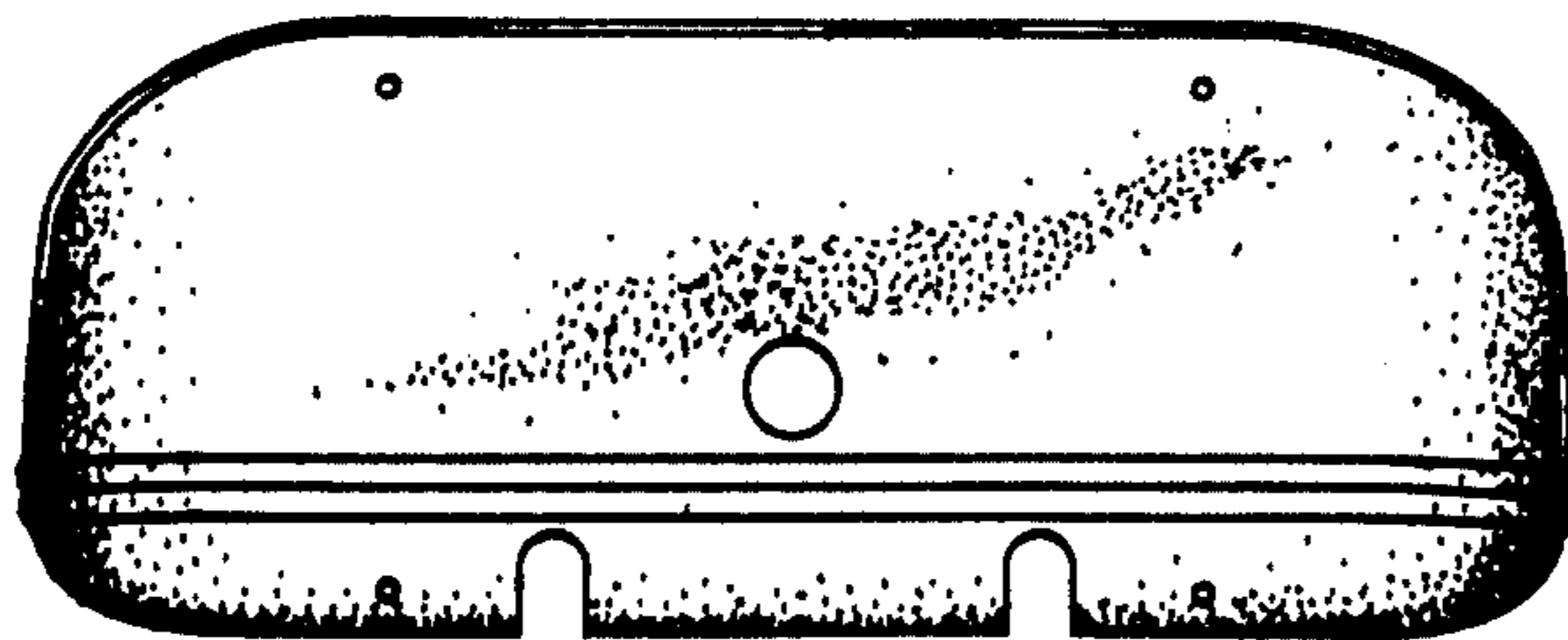


FIG. 4

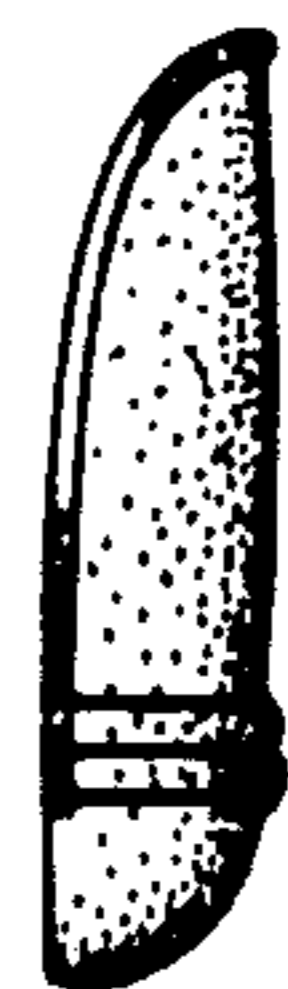


FIG. 5