

[54] MOTOR TIMER

[75] Inventors: Teizo Fujita; Toshiro Ohashi, both of Osaka, Japan

[73] Assignee: Izumi Denki Company Limited, Osaka, Japan

[**] Term: 14 Years

[21] Appl. No.: 711,083

[22] Filed: Aug. 2, 1976

[30] Foreign Application Priority Data

Apr. 5, 1976 Japan 51-12570

[51] Int. Cl. D10-03

[52] U.S. Cl. D10/40

[58] Field of Search D10/40, 100, 102; 58/152 R, 126 R, 126 D, 21.13, 39.5, 38 R, 38 A, 34; 200/38 R, 38 A, 38 F; 116/DIG. 6, 124.1 R, 124.1 A, 124.2 R, 124.2 A, 124.3

[56] References Cited

U.S. PATENT DOCUMENTS

D. 189,917	3/1961	Weaver	D10/40
D. 218,707	9/1970	DiPinto	D10/124
D. 235,008	4/1975	Ishikawa	D10/40
3,713,285	1/1973	Haufe	58/39.5
3,823,547	7/1974	Hulterstrum	D10/40

OTHER PUBLICATIONS

Industrial Design, 5/71, p. 67, Timer #131 at right.

Primary Examiner—Nelson C. Holtje
Attorney, Agent, or Firm—Eric H. Waters

[57] CLAIM

The ornamental design for a motor timer, as shown and described.

DESCRIPTION

FIG. 1 is a front, top and right side perspective view of a motor timer showing our new design, FIG. 2 is a left side elevational view thereof, FIG. 3 is a rear elevational view thereof, FIG. 4 is a bottom plan view thereof, and FIG. 5 is a front, top and right side perspective view of another embodiment of our new design of FIGS. 1-4, wherein a modified knob has been substituted.

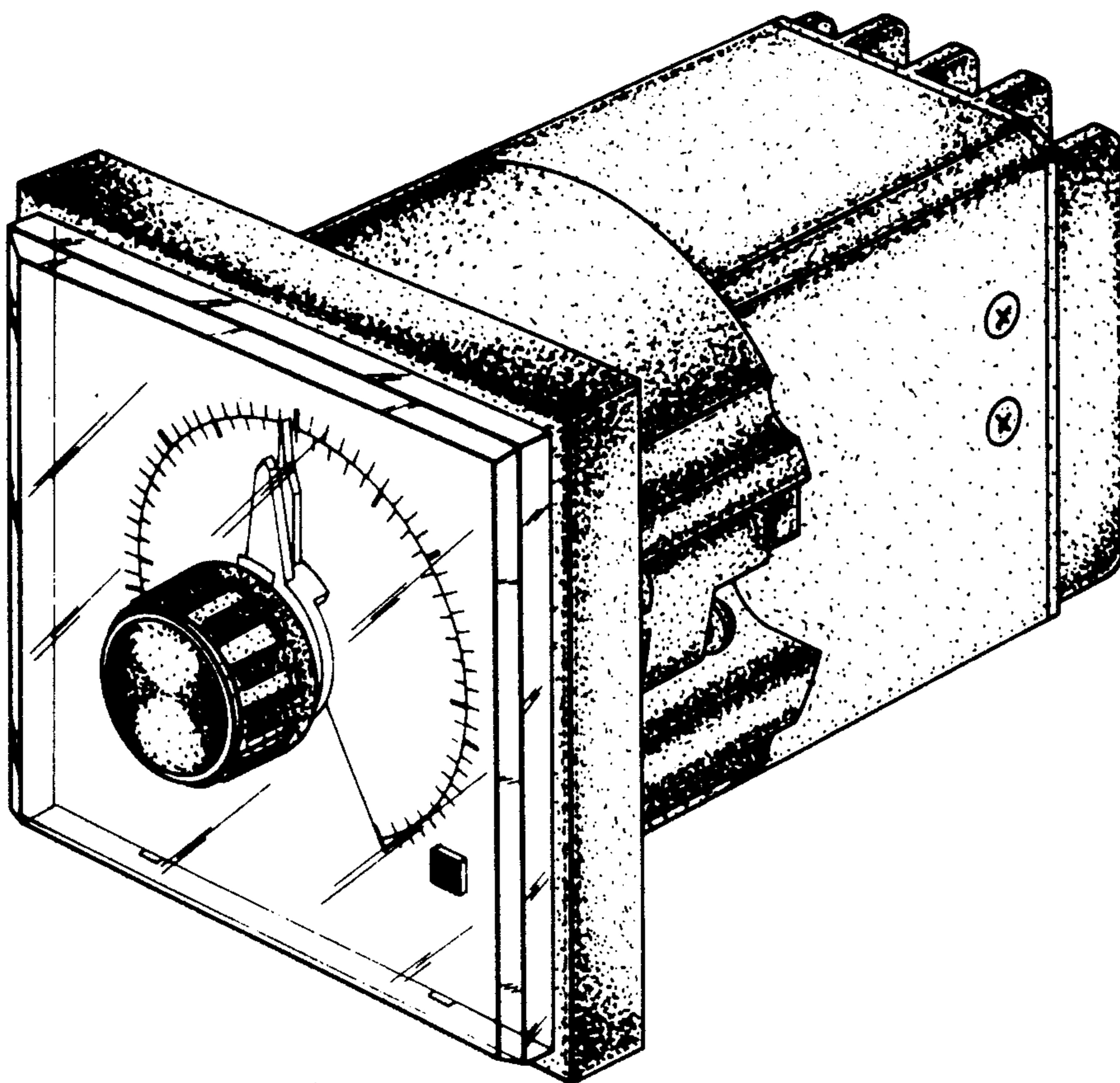


FIG. 1

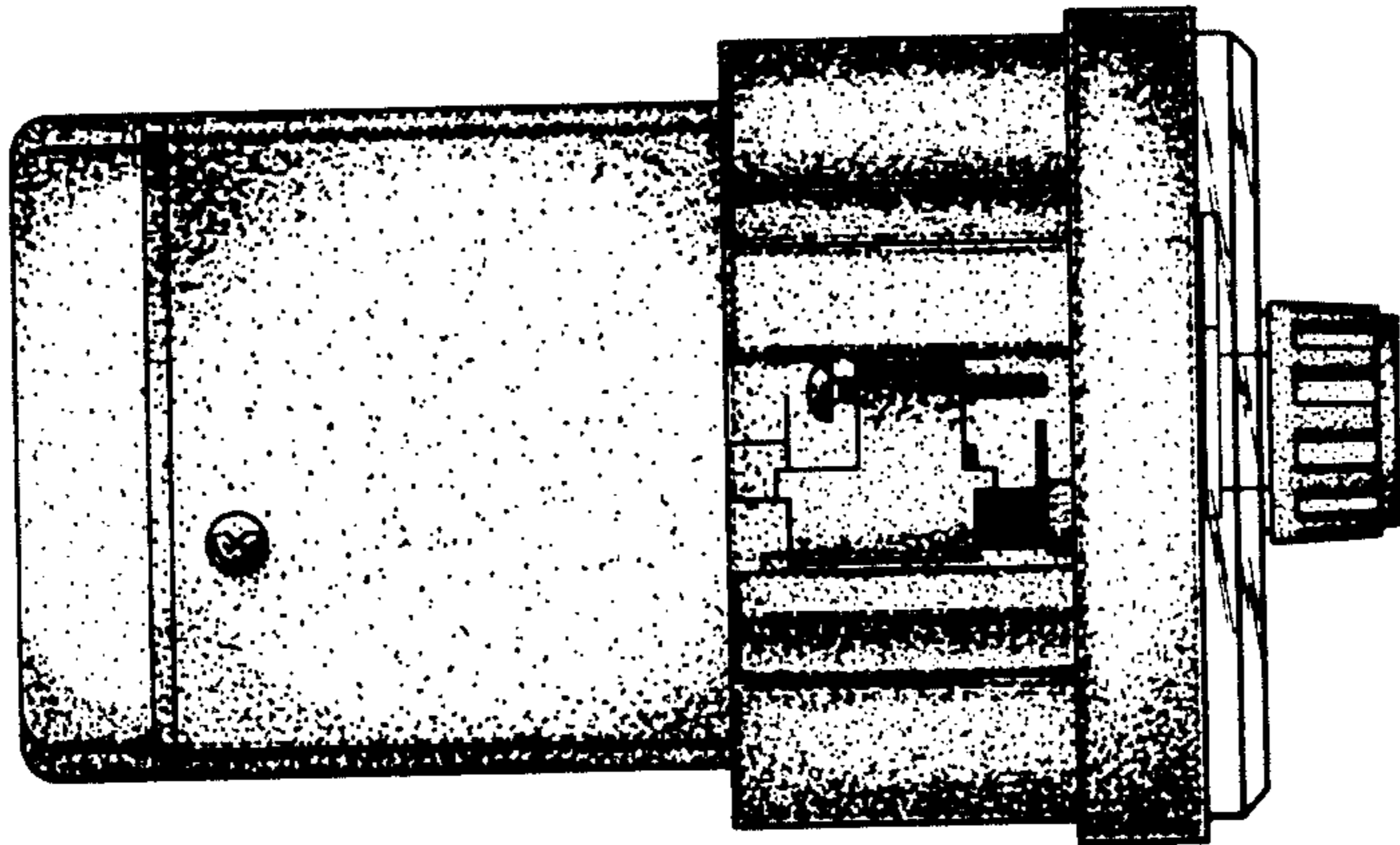
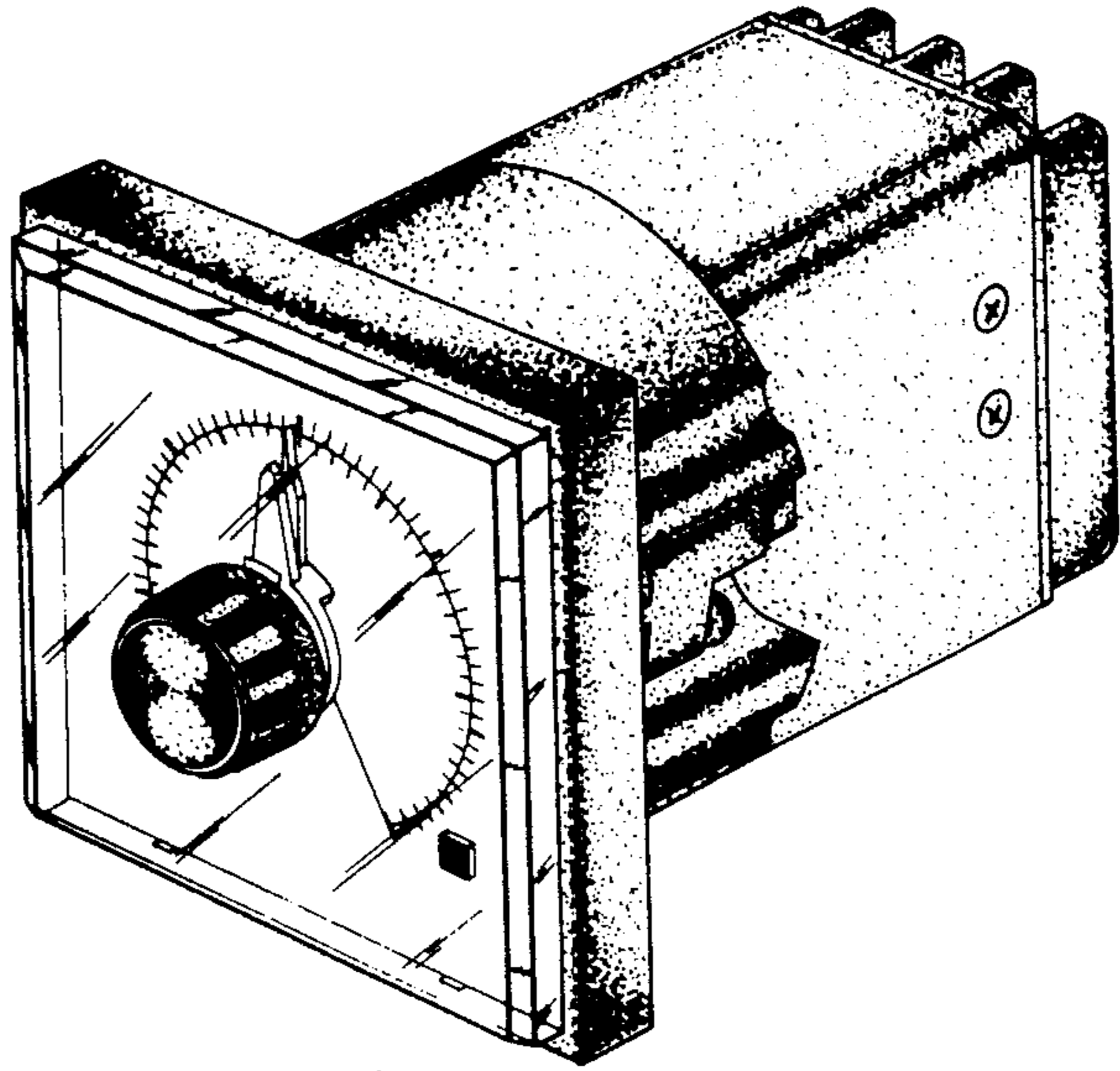
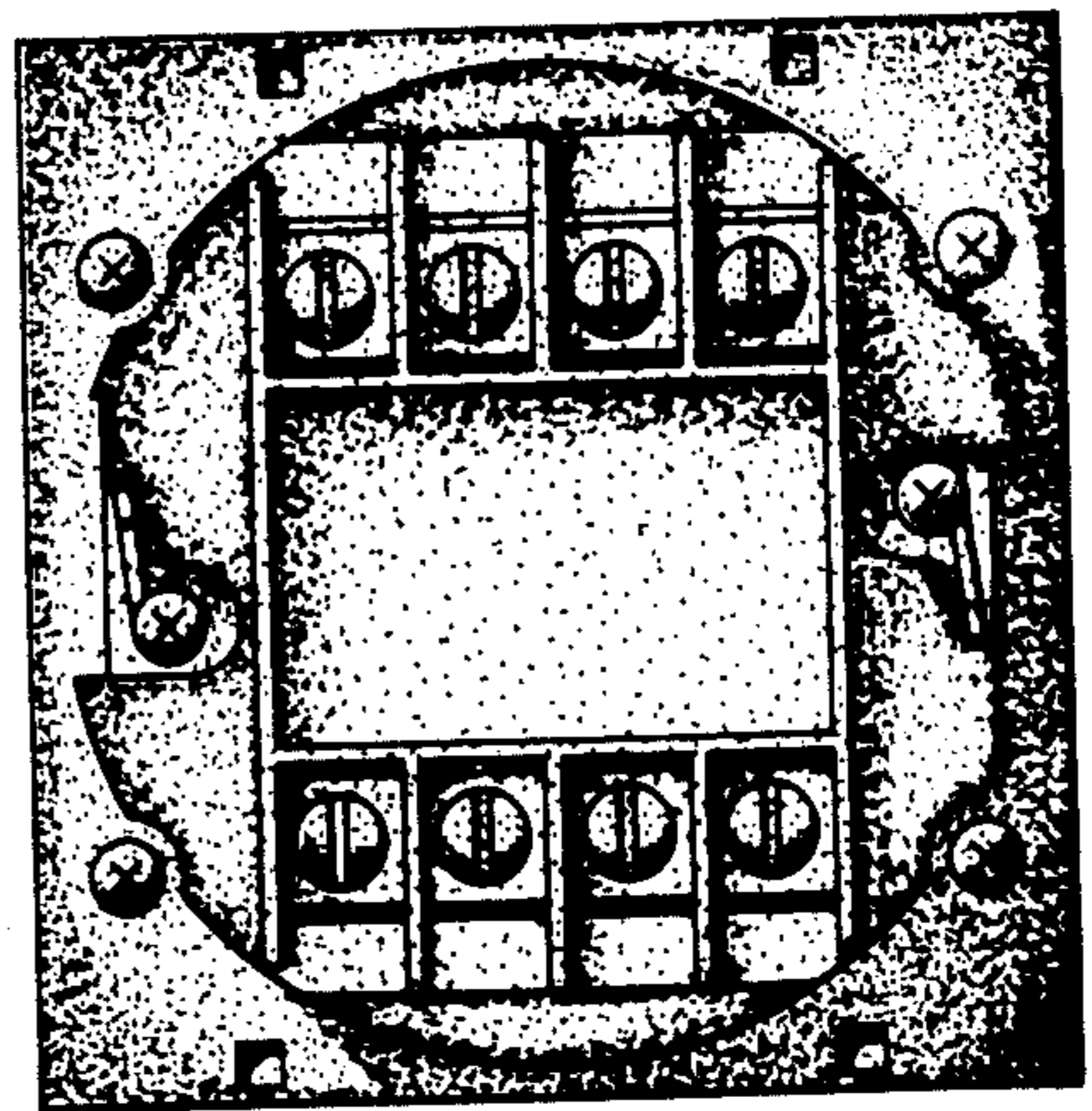


FIG. 2

FIG. 3



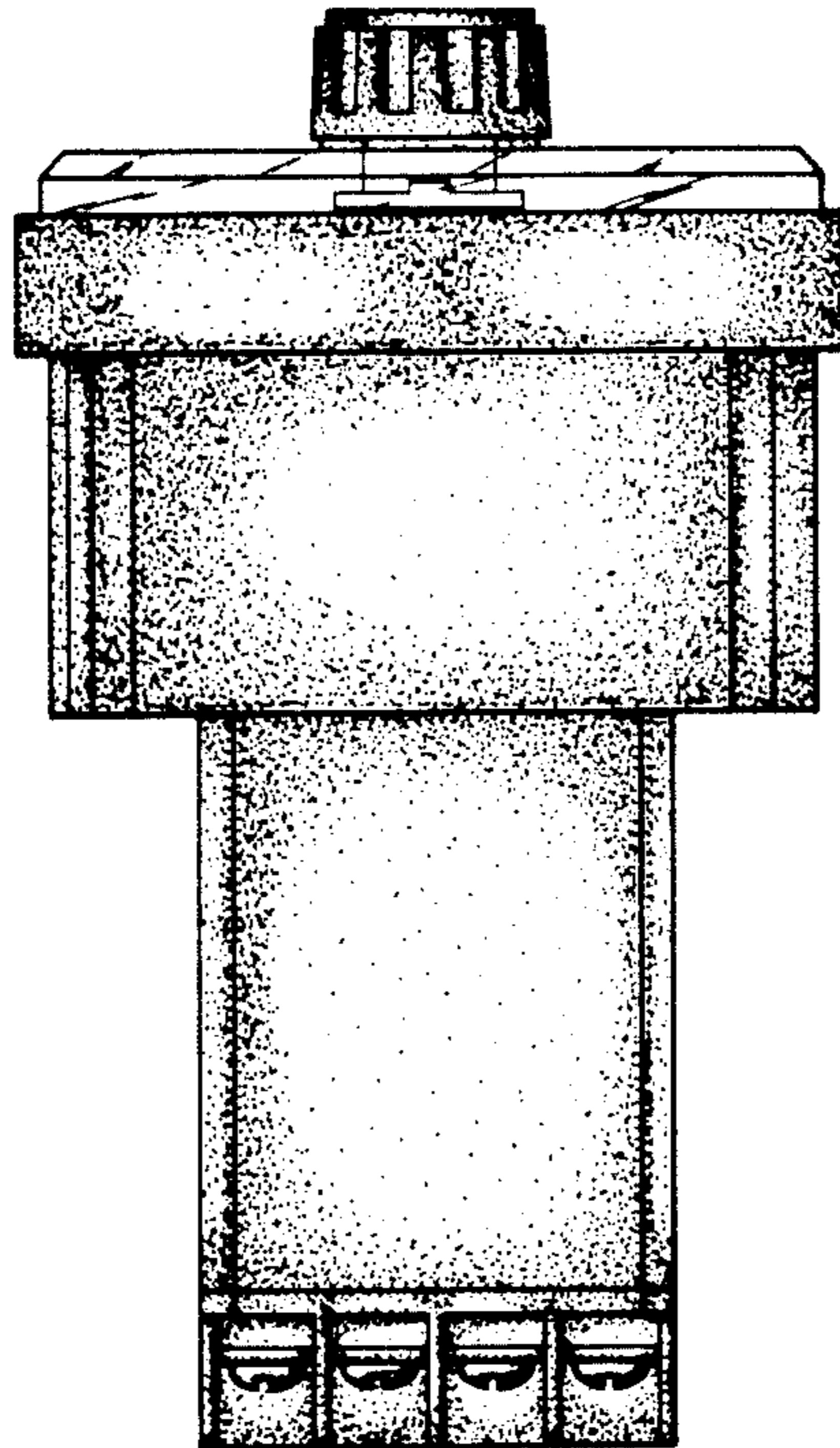


FIG. 4

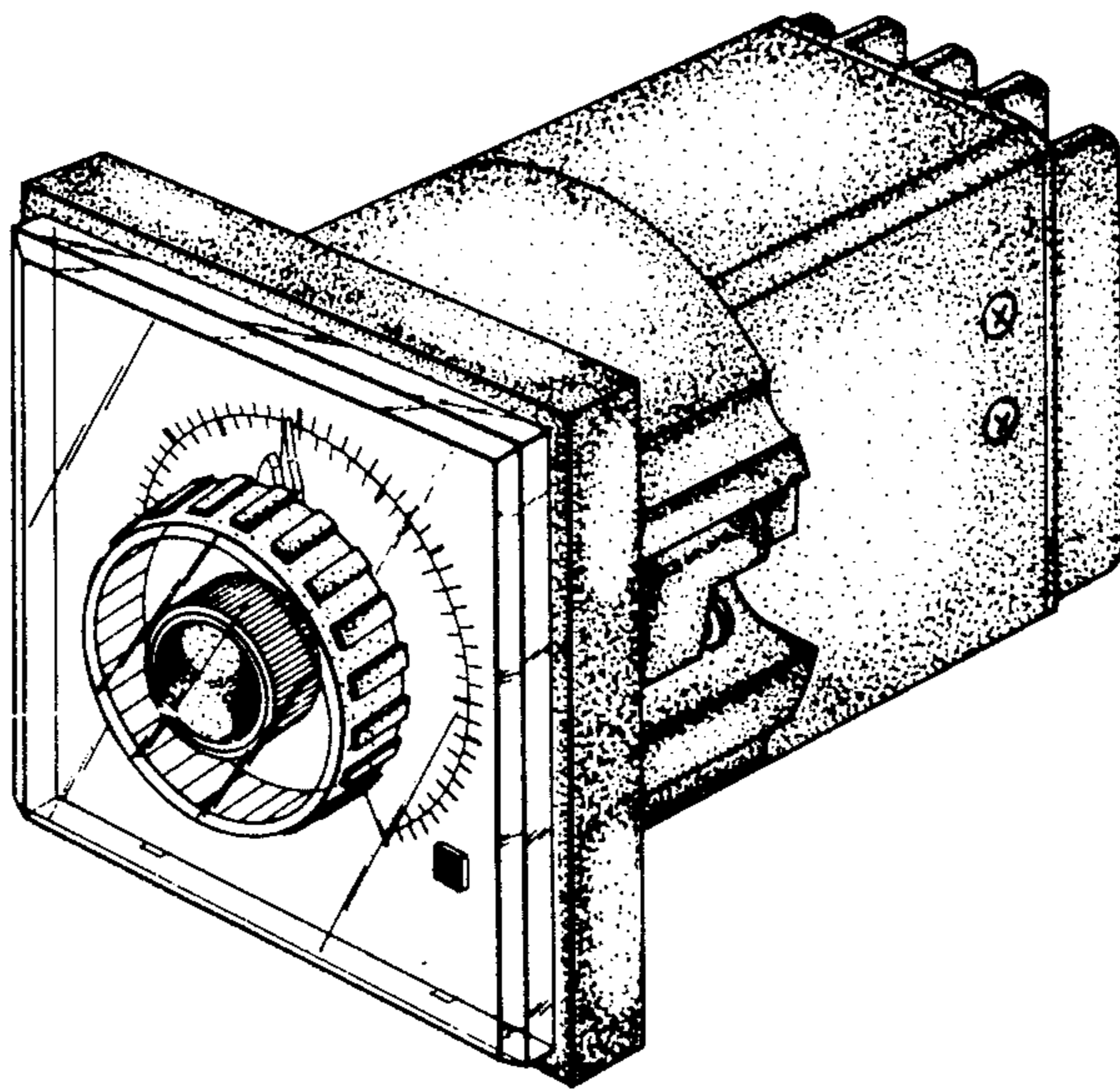


FIG. 5