

[54] TIE-DOWN HOOK

3,348,273 10/1967 Hall 24/230.5 TD

[76] Inventor: Elwood Thomas Feldman, 8603 Delegge Rd., Baltimore, Md. 21237

Primary Examiner—Wallace R. Burke
Assistant Examiner—James M. Gandy
Attorney, Agent, or Firm—John F. Clellan, Sr.

[**] Term: 14 Years

[21] Appl. No.: 664,702

[57] CLAIM

[22] Filed: Mar. 8, 1976

The ornamental design for a tie-down hook, substantially as shown.

[51] Int. Cl. D8-08

DESCRIPTION

[52] U.S. Cl. D8/372

[58] Field of Search D8/367, 372;
24/230.5 R, 230.5 W, 230.5 TD; 248/499, 500,
503, 508; 280/179 R, 179 A; 224/42.4

FIG. 1 is a side elevational view showing my new design for a tie-down hook, the opposite side being a mirror image thereof;

FIG. 2 is a front elevational view thereof;

FIG. 3 is a rear elevational view thereof;

FIG. 4 is a top plan view thereof;

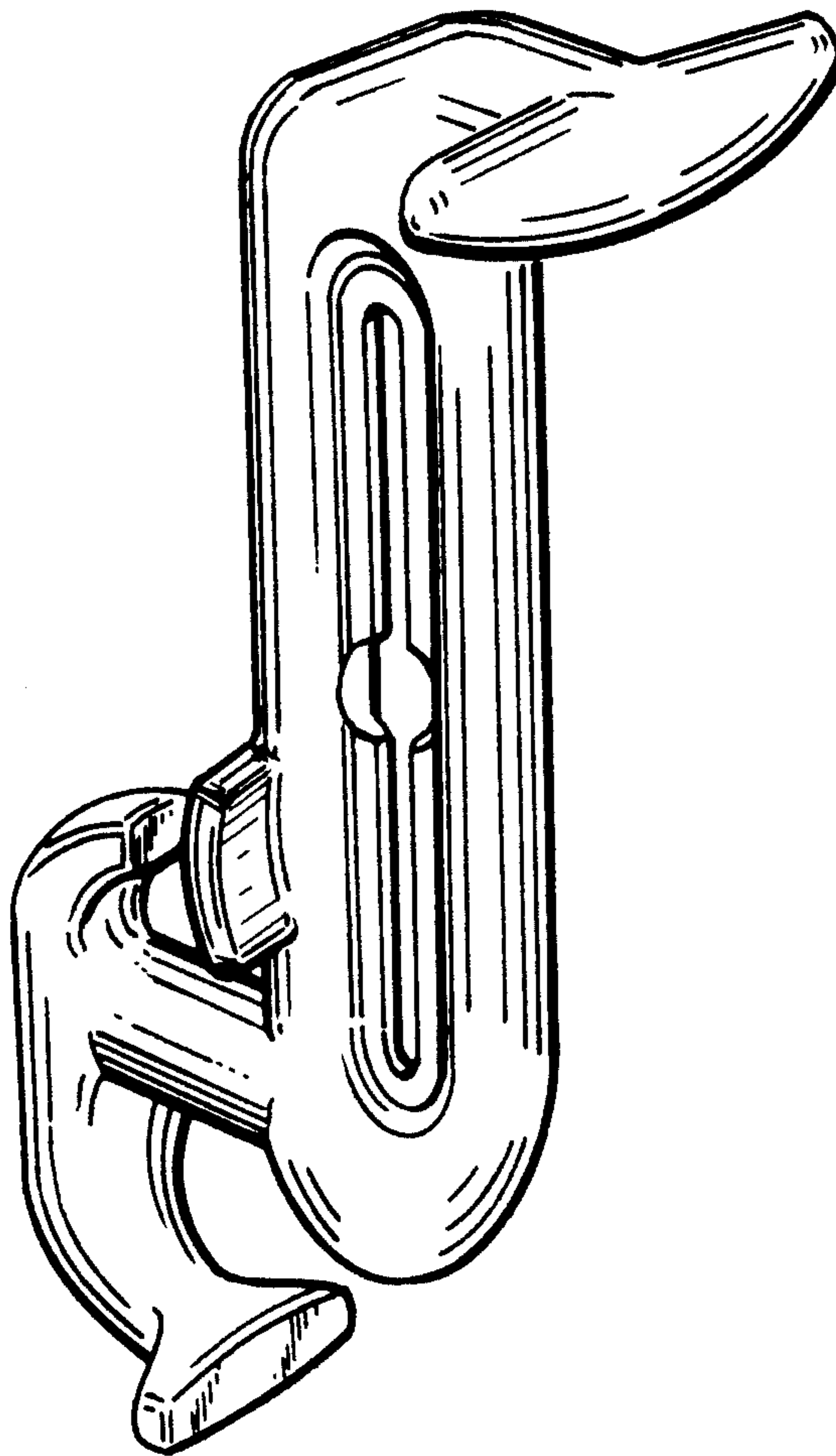
FIG. 5 is a bottom plan view; thereof and

FIG. 6 is an isometric view thereof.

[56] References Cited

U.S. PATENT DOCUMENTS

D. 194,483 1/1963 Blunden D8/372



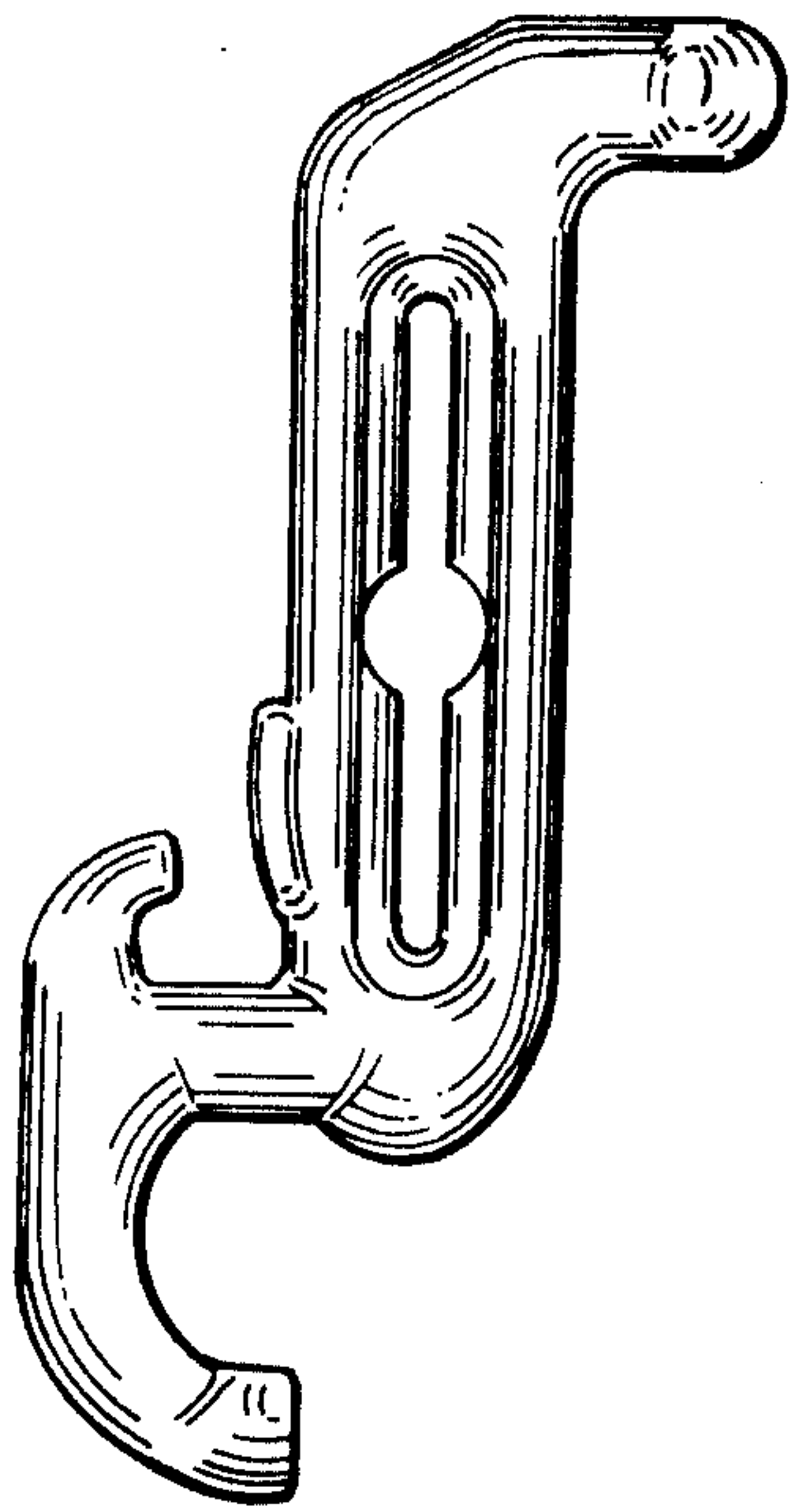


FIG. 1

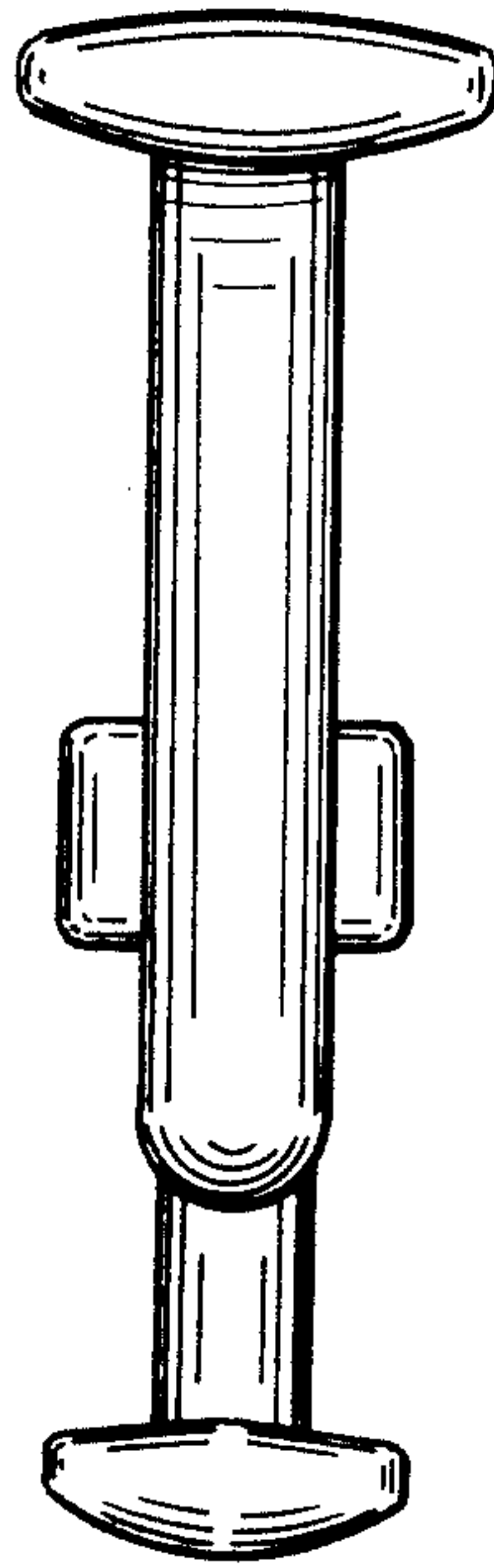


FIG. 2

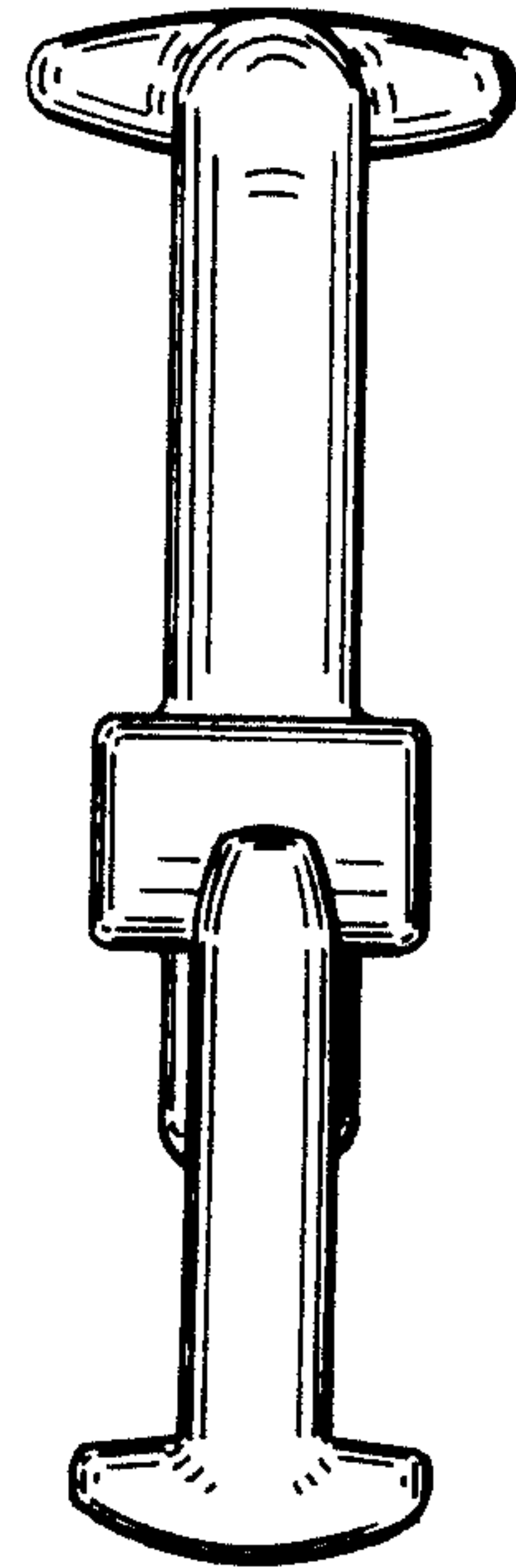


FIG. 3

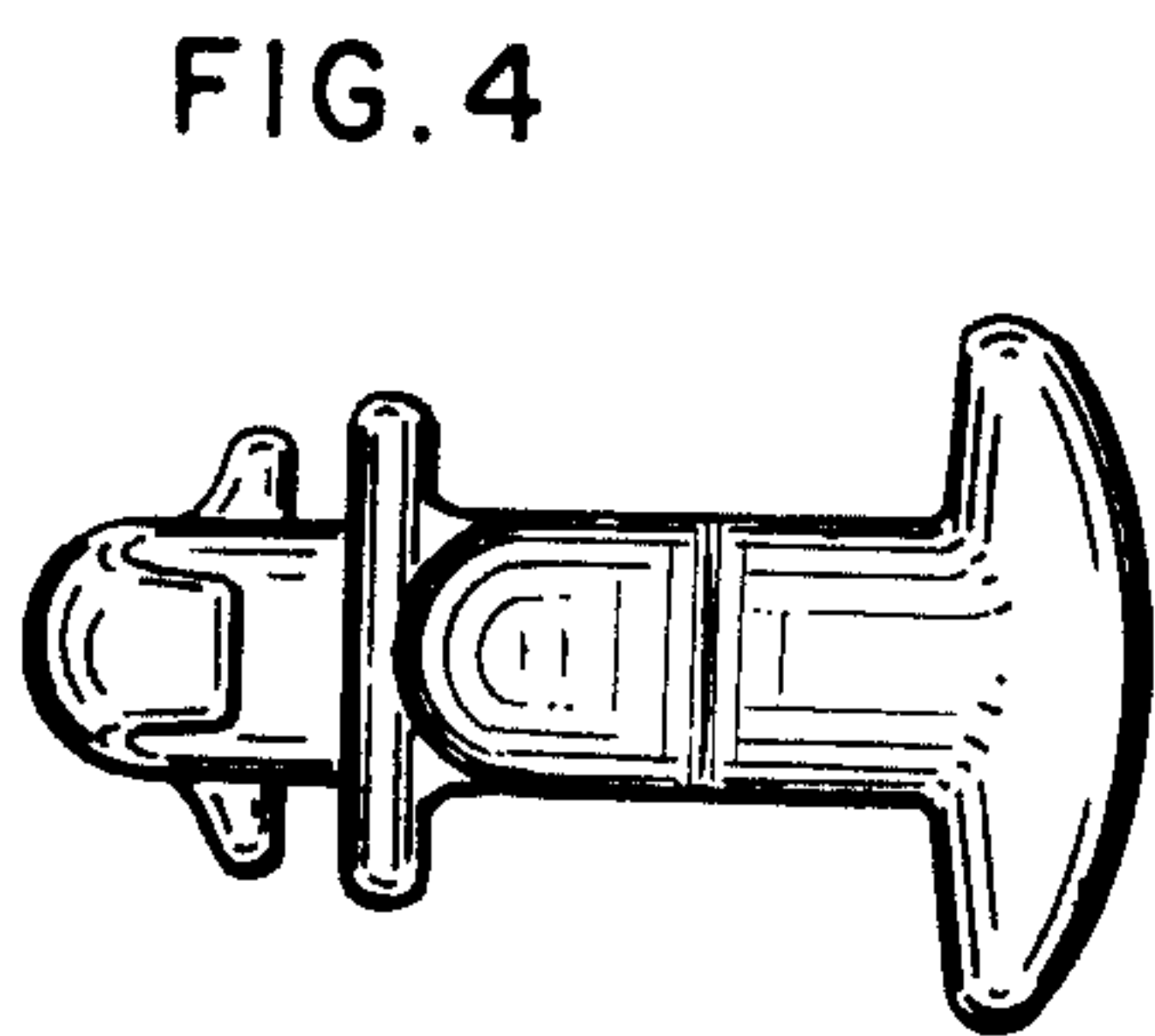


FIG. 4

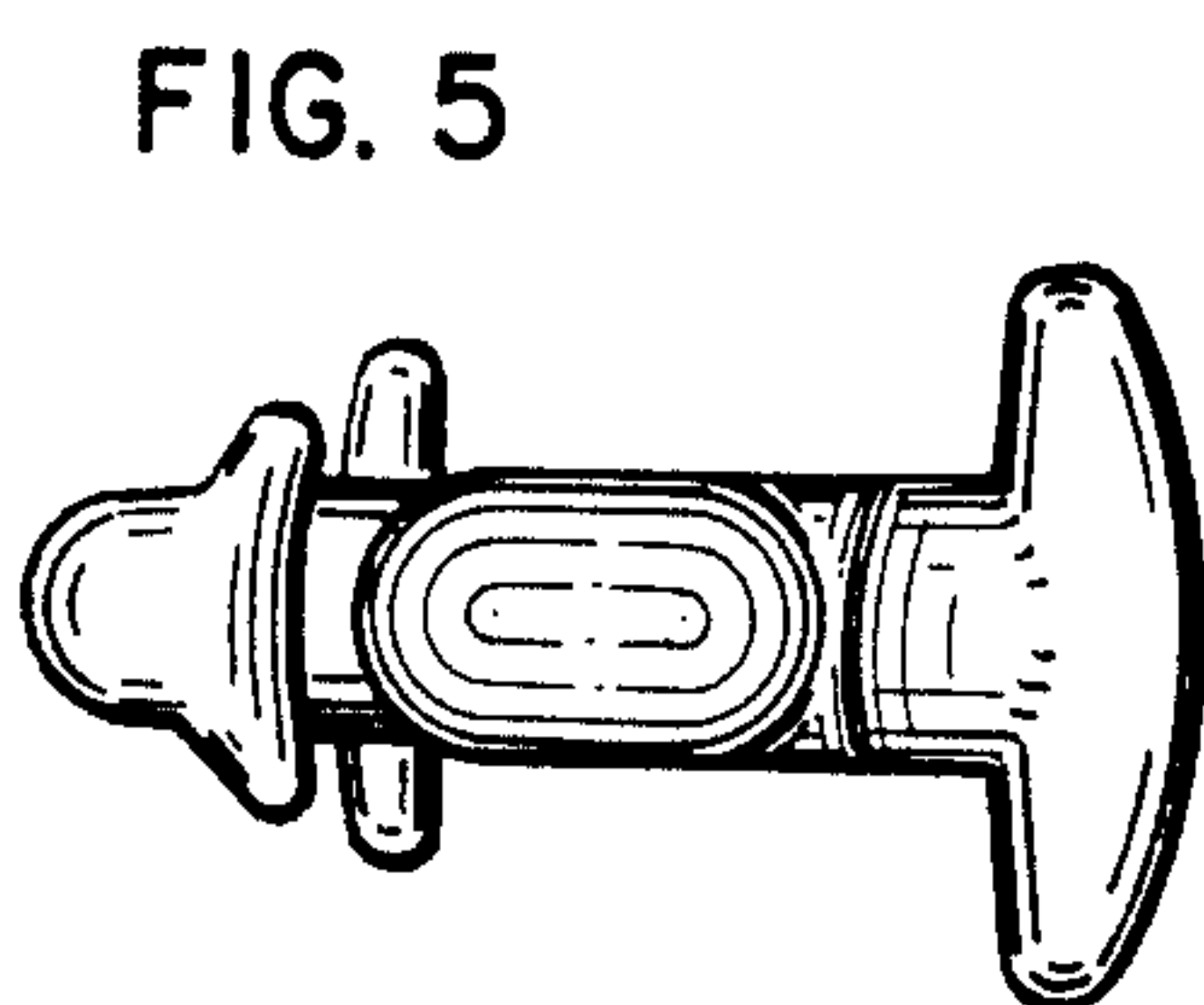


FIG. 5

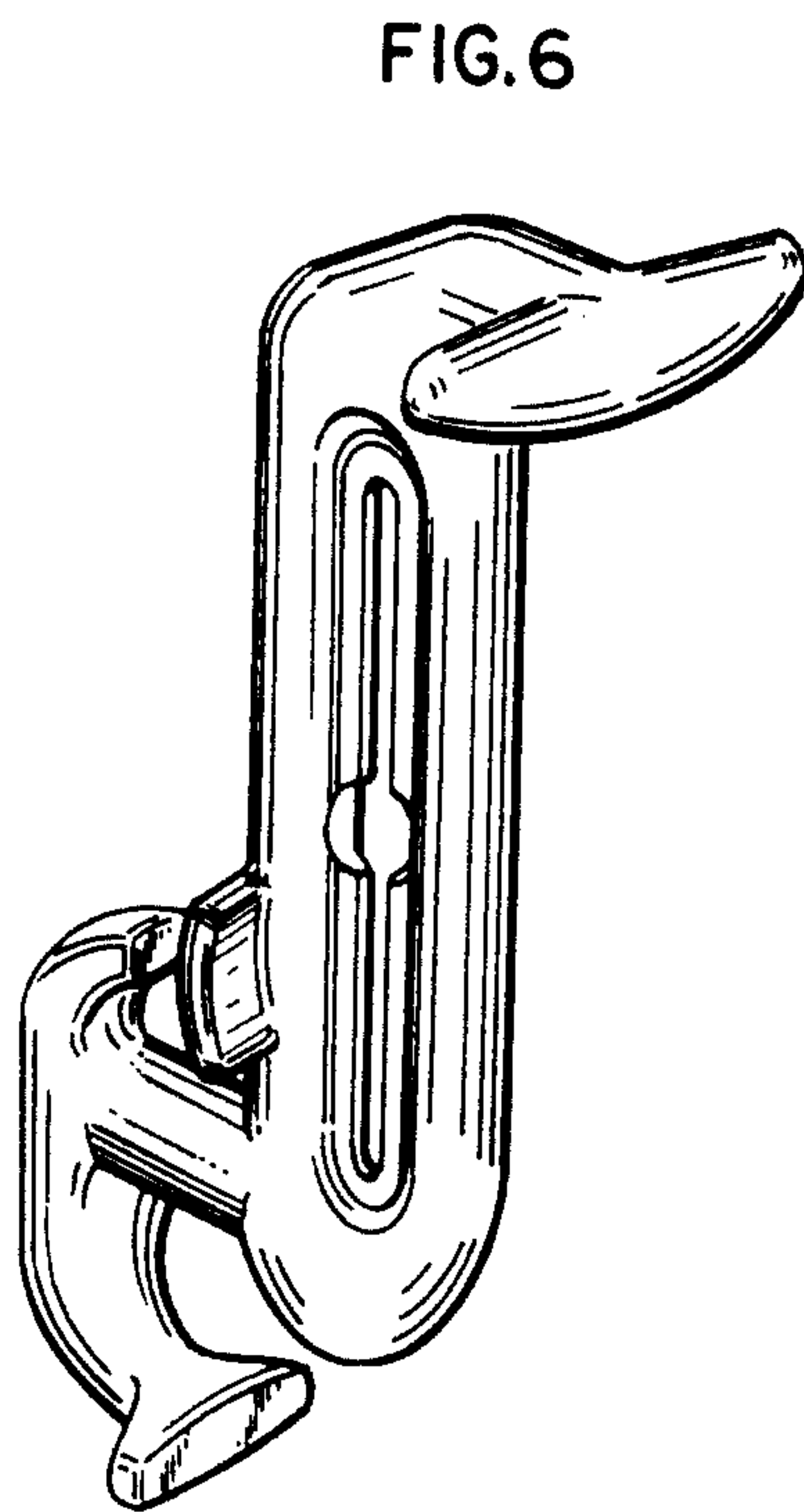


FIG. 6