

[54] HIVE TOOL

[76] Inventor: William T. Maxant, Harvard Rd.,
P.O. Box 454, Ayer, Mass. 01432

[**] Term: 14 Years

[21] Appl. No.: 712,350

[22] Filed: Aug. 6, 1976

[51] Int. Cl. D8-03

[52] U.S. Cl. D8/98

[58] Field of Search D8/98; 6/12 R

[56] References Cited

U.S. PATENT DOCUMENTS

865,062	9/1907	Sawyer	6/12 R
2,593,304	4/1952	Howard	6/12 R

Primary Examiner—Alan P. Douglas
Attorney, Agent, or Firm—Robert S. Swecker

[57] CLAIM

The ornamental design of a hive tool, as shown.

DESCRIPTION

FIG. 1 is a perspective view of a first embodiment of the hive tool in accordance with this invention; FIG. 2 is a plan view of the hive tool shown in FIG. 1; FIG. 3 is a top edge view of the hive tool shown in FIG. 2; FIG. 4 is a right end edge view of the hive tool shown in FIG. 3; FIG. 5 is a perspective view of an alternative embodiment of the invention; and, FIG. 6 is a further alternative embodiment of the present invention.

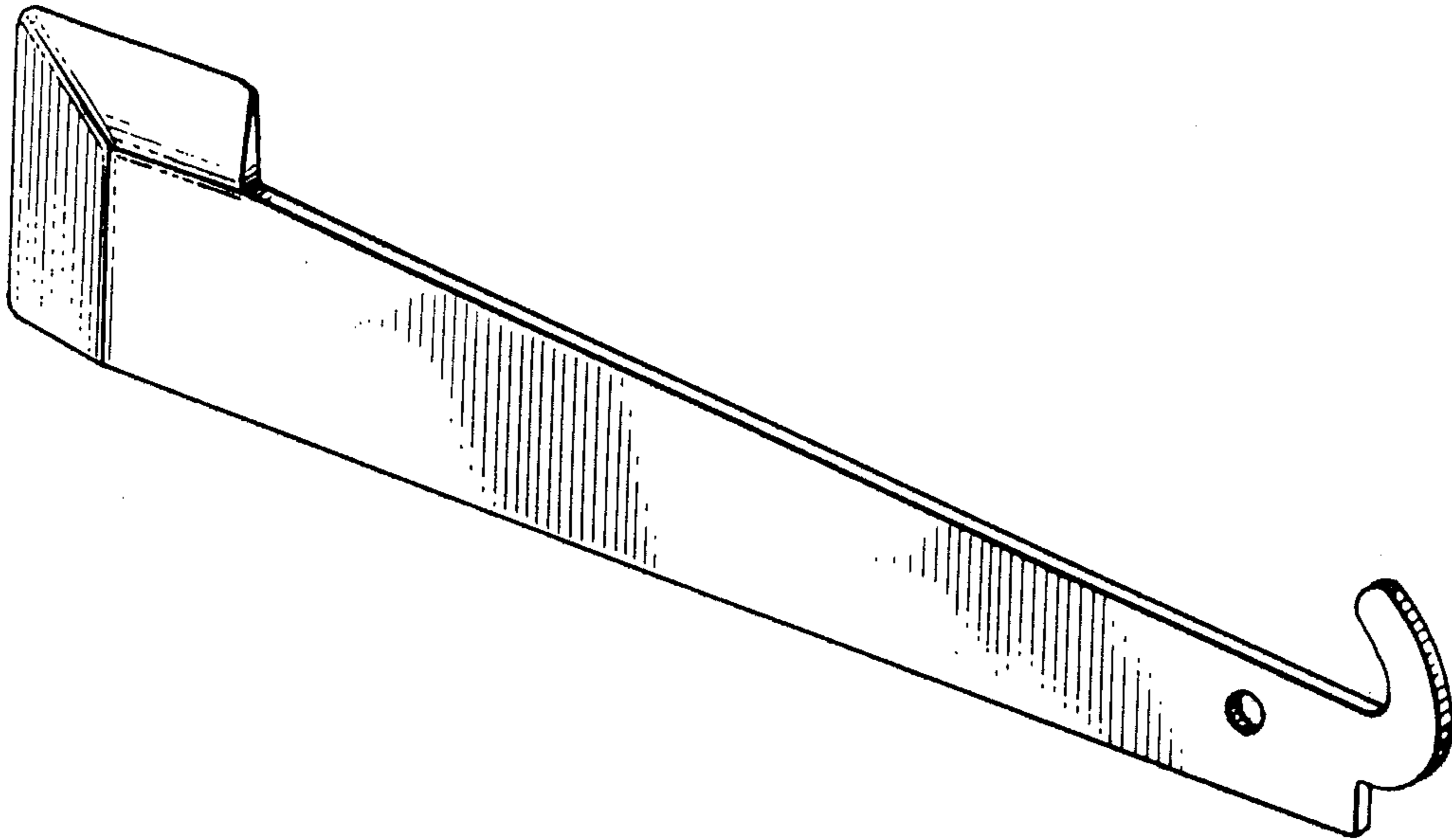


FIG. 1.

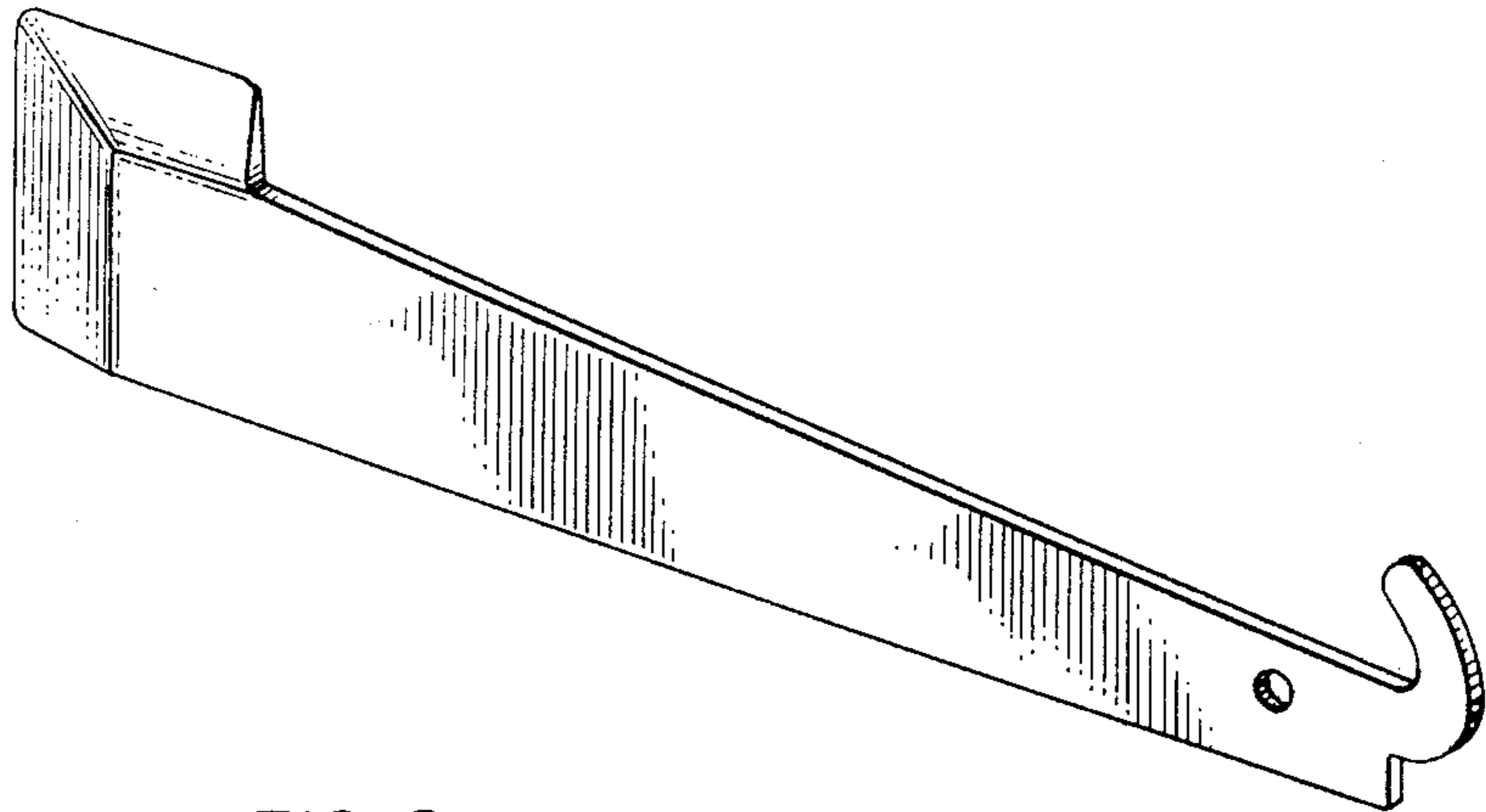


FIG. 2.

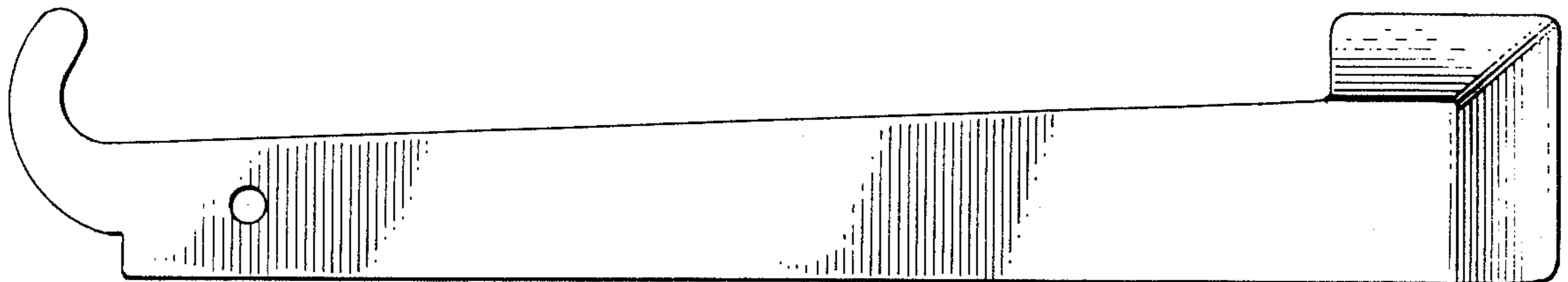


FIG. 3.

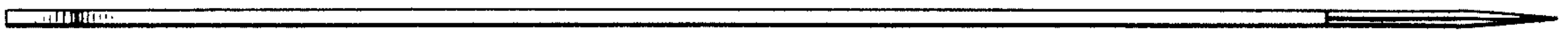


FIG. 4.



FIG. 5.

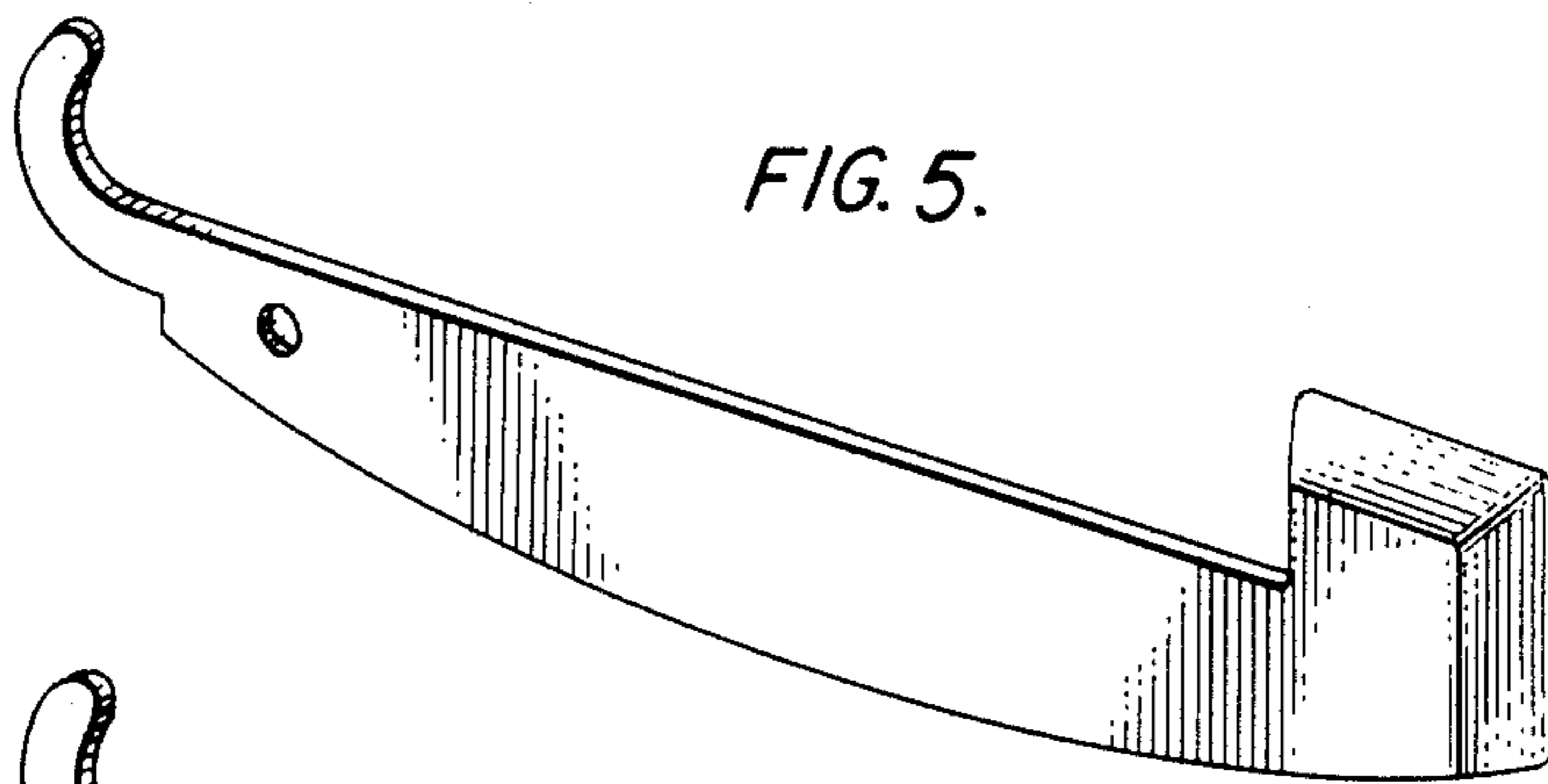


FIG. 6.

