

[54] PORTABLE BAND SAW

[75] Inventors: Charles R. Stelljes, Fayetteville; Lars Frostad, Syracuse; Richard H. Chapman, Camillus, all of N. Y.

[73] Assignee: Rockwell International Corporation, Pittsburgh, Pa.

[\*\*] Term: 14 Years

[21] Appl. No.: 608,855

[22] Filed: Aug. 29, 1975

Related U.S. Application Data

[63] Continuation-in-part of Ser. No. 515,111, Oct. 16, 1974, abandoned.

[51] Int. Cl. .... D8-03

[52] U.S. Cl. .... D8/64

[58] Field of Search ..... D8/64; 30/380; 83/816, 83/818, 820

[56] References Cited

U.S. PATENT DOCUMENTS

D. 156,282	11/1949	Schepige .....	D8/64
2,596,081	5/1952	Sacrey .....	D8/64 UX
3,829,970	8/1974	Anderson .....	30/380

OTHER PUBLICATIONS

Ridgid Portable Band Saw brochure, effective 10/18/72, bandsaw on page.

Primary Examiner—Alan P. Douglas  
Attorney, Agent, or Firm—John R. Bronaugh

[57] CLAIM

The ornamental design for a portable band saw, as shown and described.

DESCRIPTION

FIG. 1 is a perspective view, showing the top and front of a portable band saw in accordance with the present invention;

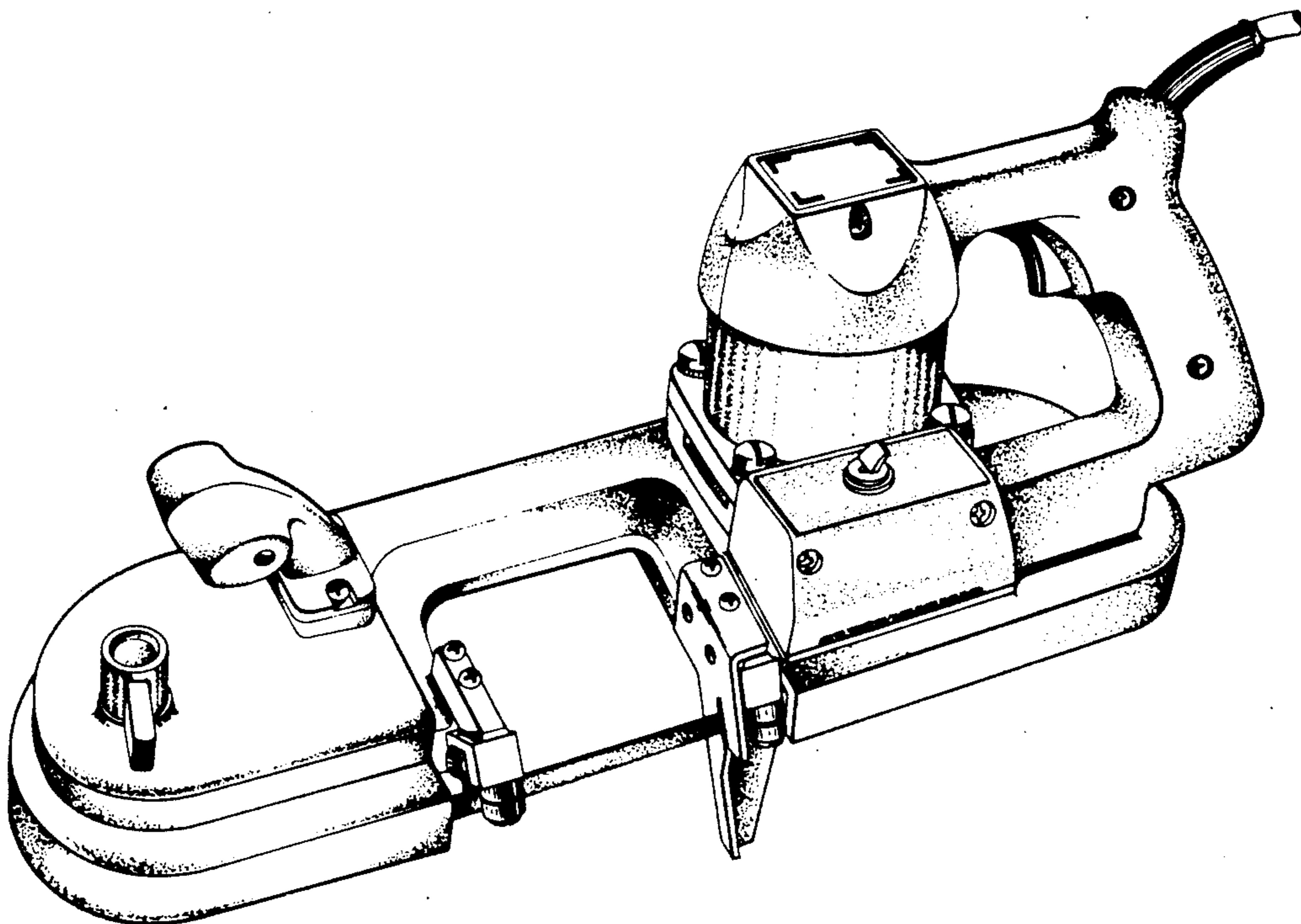
FIG. 2 is a plan view of the bottom;

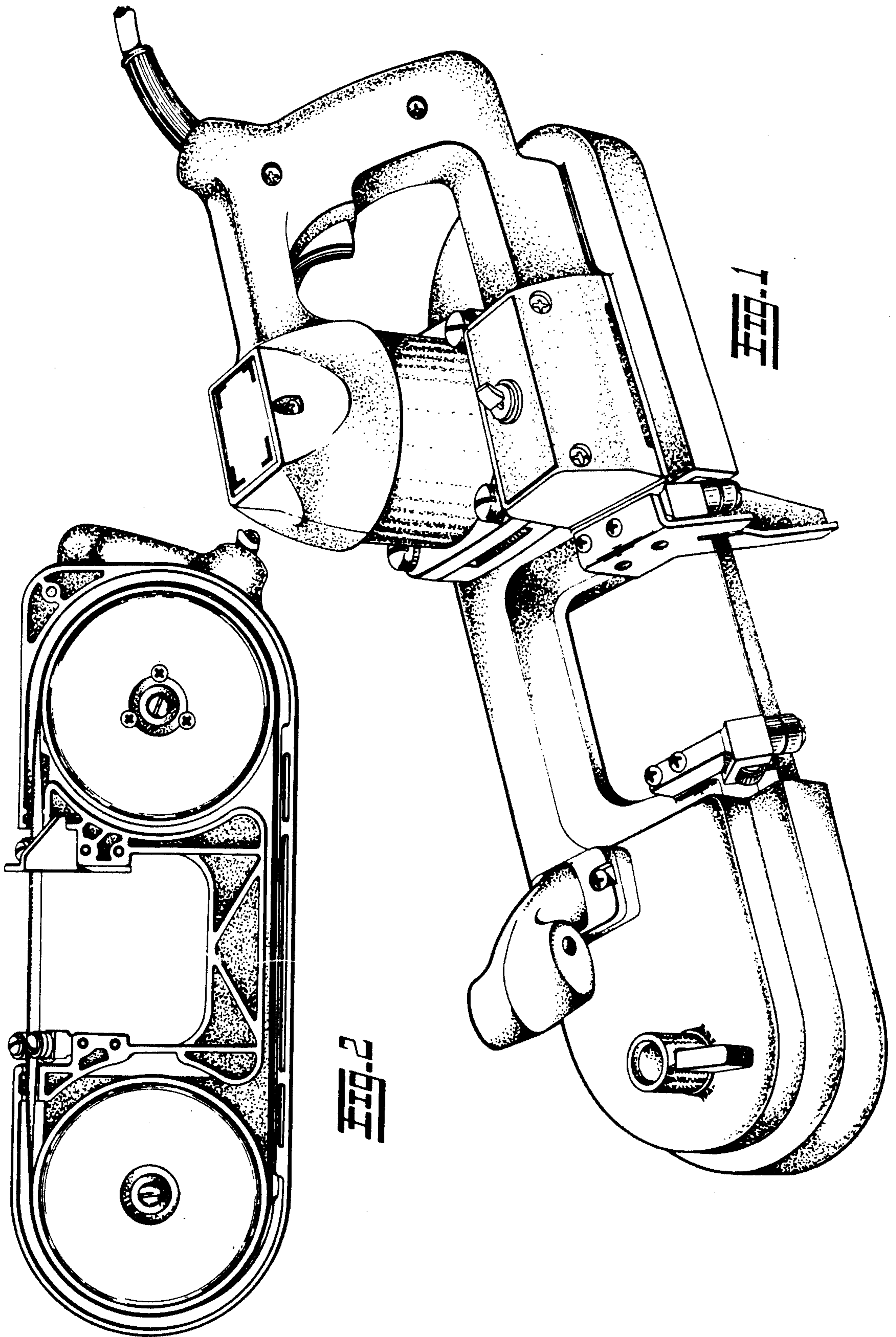
FIG. 3 is a front elevation view of the saw;

FIG. 4 is a rear elevation;

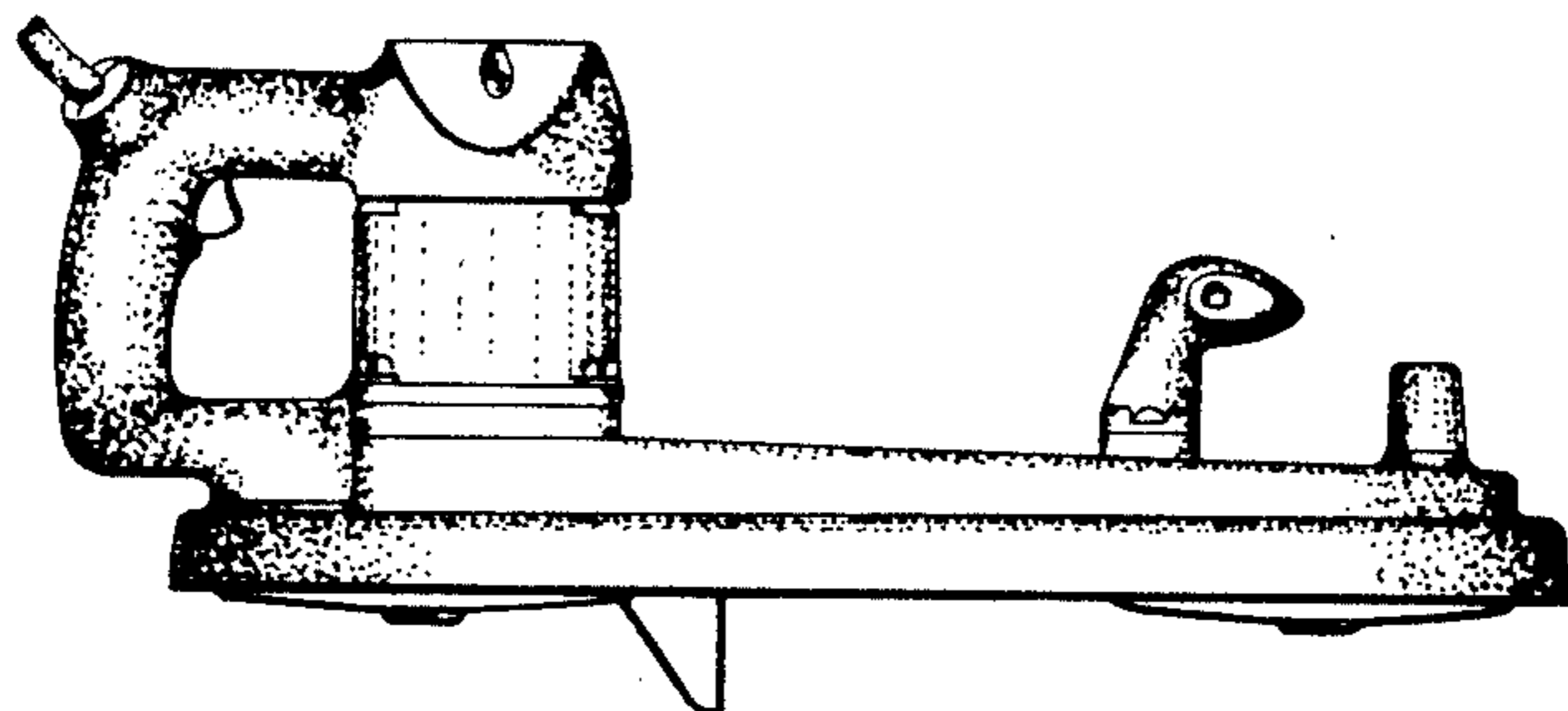
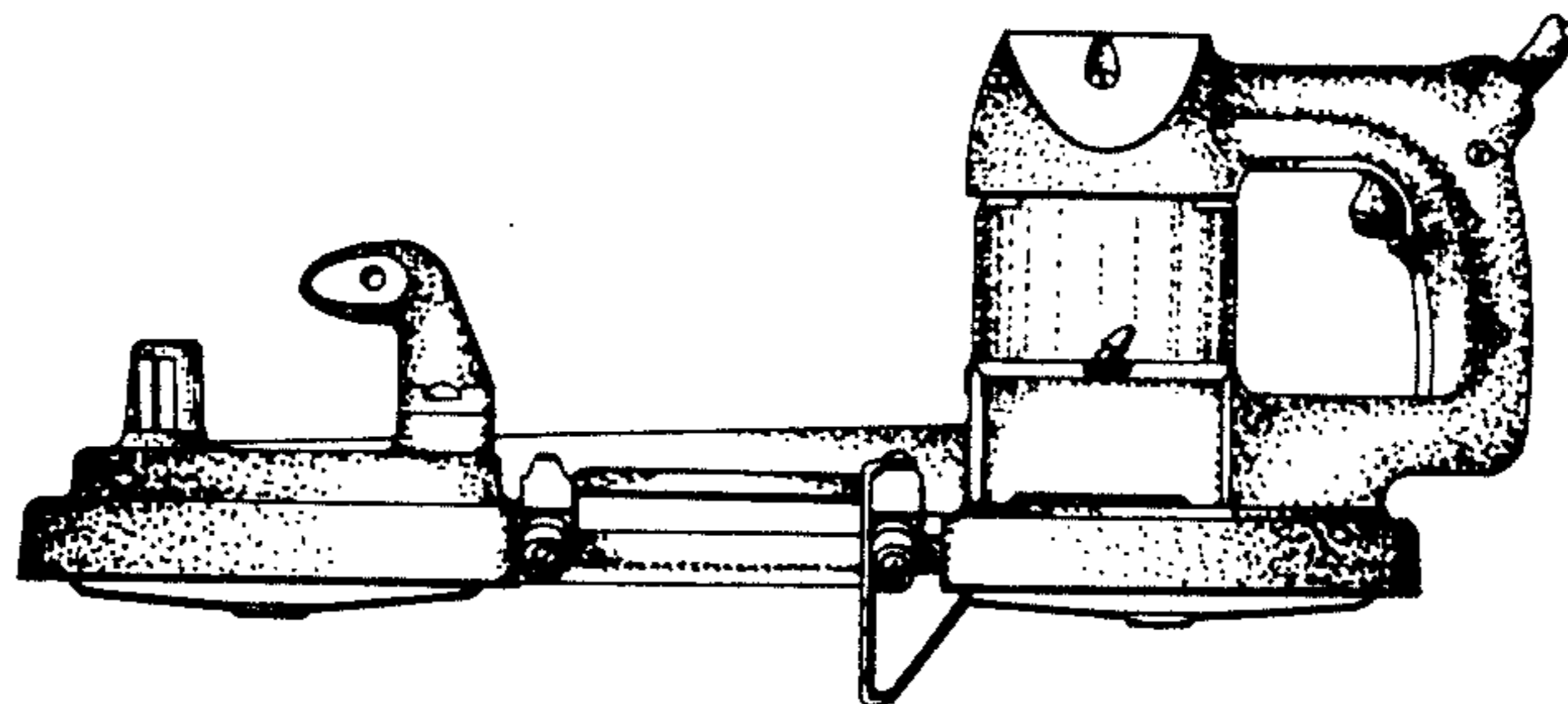
FIG. 5 is a right side elevation; and

FIG. 6 is a left side elevation.

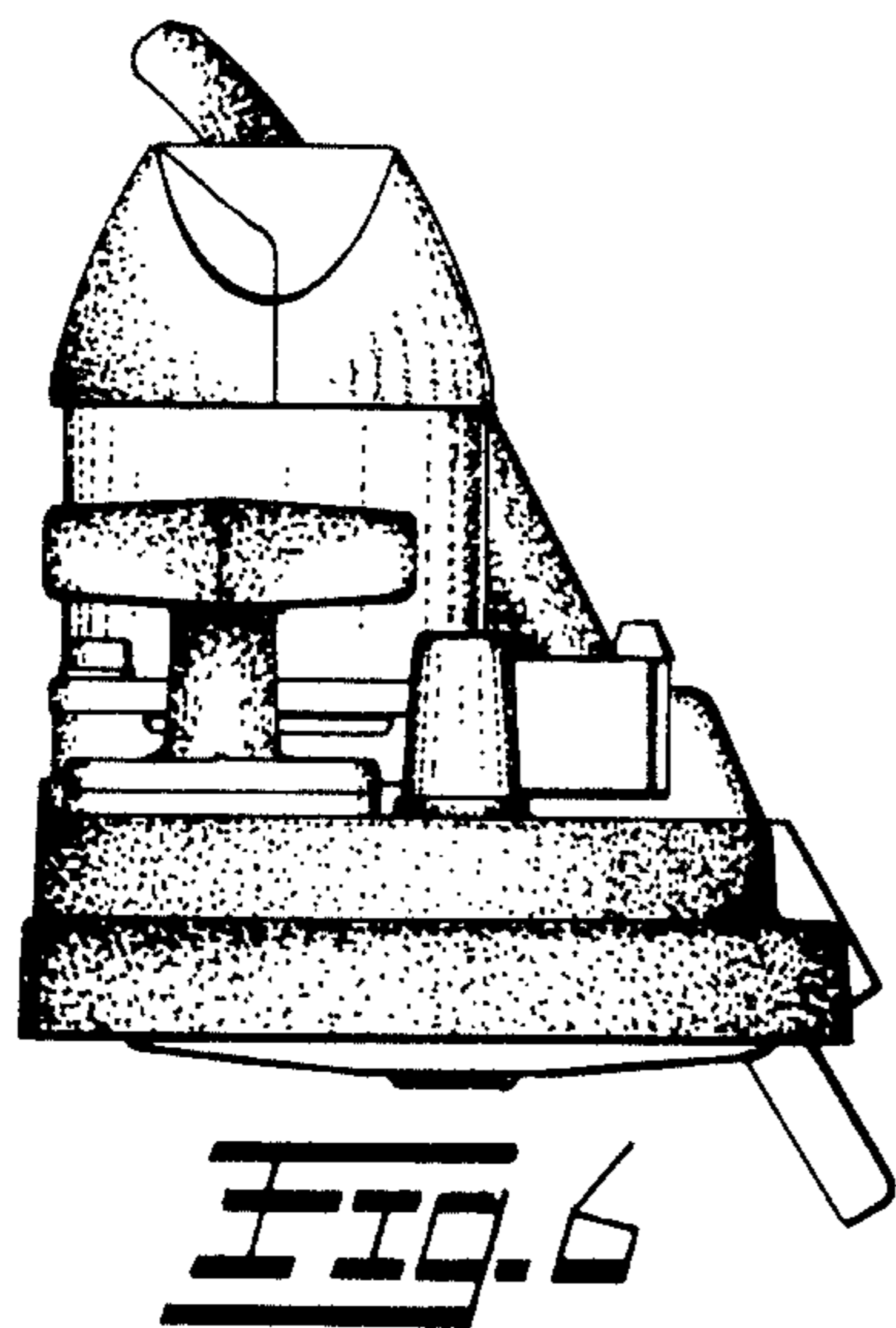




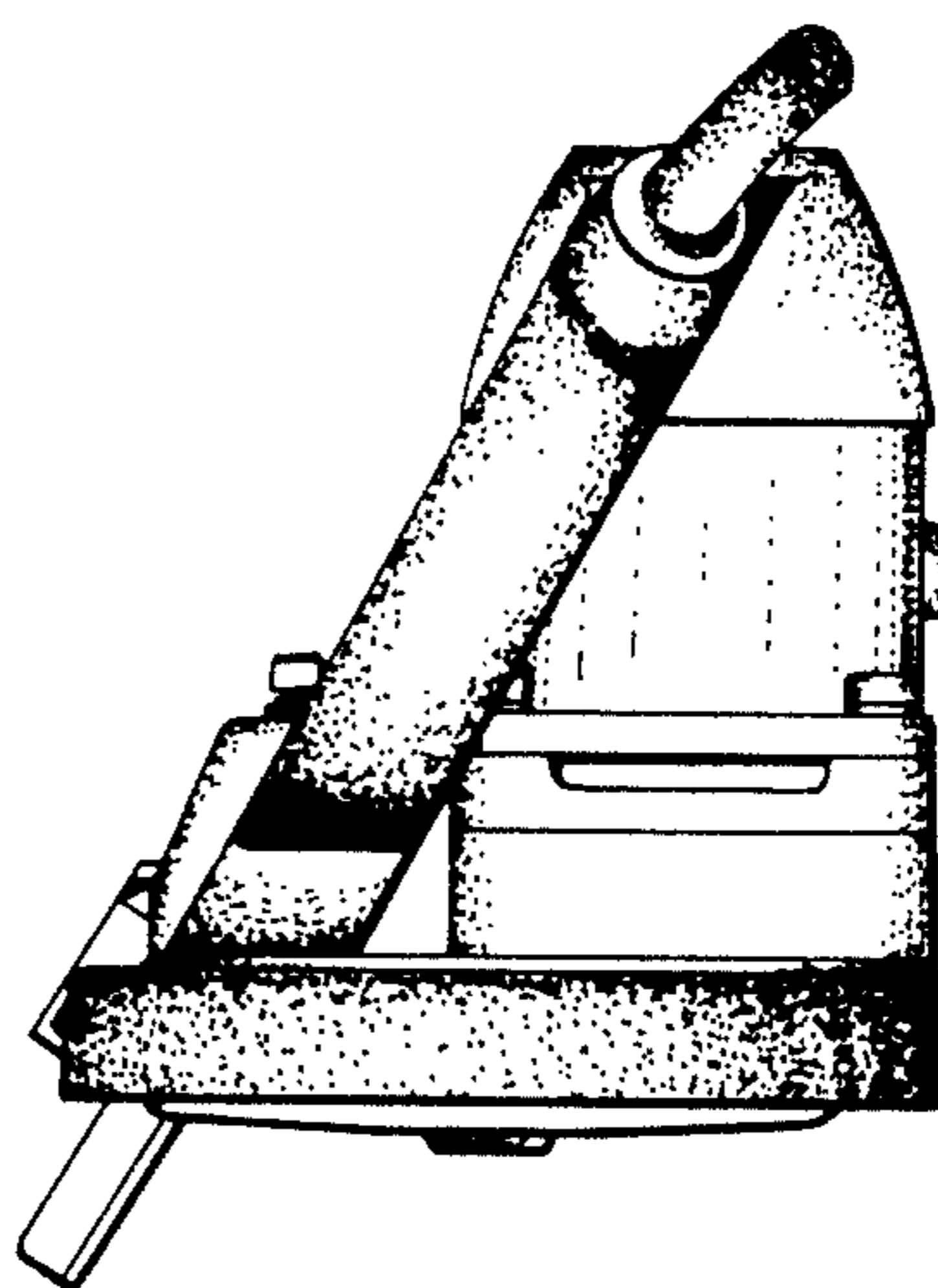
**FIG. 3**



**FIG. 4**



**FIG. 6**



**FIG. 5**