

[54] WRENCH

[76] Inventor: **Floyd James Venable, Jr.**, Prairie Store, Prairie, Id. 83647

[**] Term: **14 Years**

[21] Appl. No.: **593,617**

[22] Filed: **Jul. 7, 1975**

[51] Int. Cl. **D8-05**

[52] U.S. Cl. **D8/29**

[58] Field of Search **D8/29, 21; 81/71**

[56]

References Cited

U.S. PATENT DOCUMENTS

D. 222,425	10/1971	Palfi	D8/29
2,383,573	8/1945	Tomsek	81/90 R X
3,733,937	5/1973	Mezey	81/71

Primary Examiner—Alan P. Douglas
Attorney, Agent, or Firm—Paul F. Horton

[57]

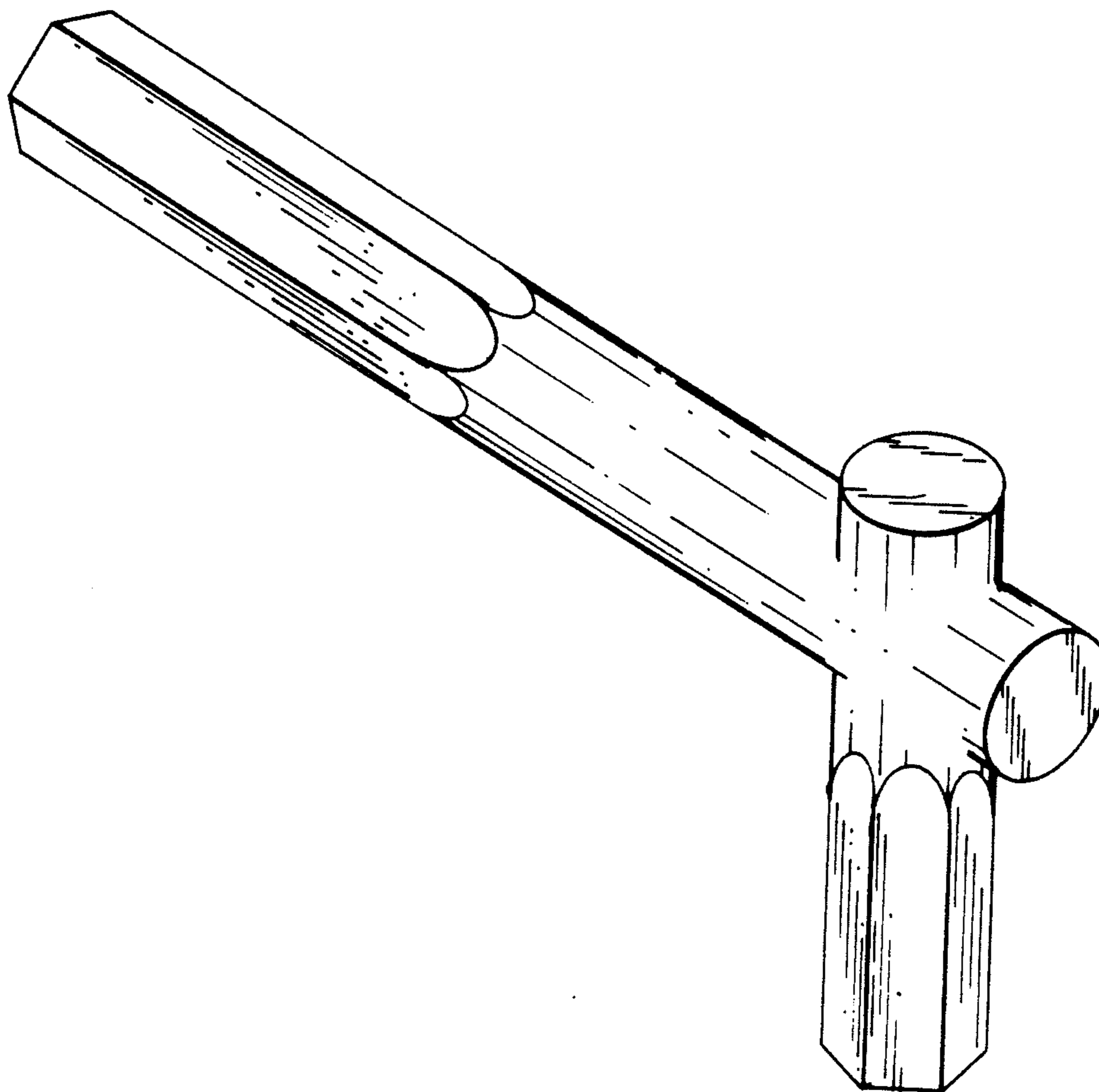
CLAIM

The ornamental design for a wrench, substantially as shown.

DESCRIPTION

FIG. 1 is a right front perspective view of the wrench embodying my design.

FIG. 2 is a left front perspective view of the wrench shown in the FIG. 1.



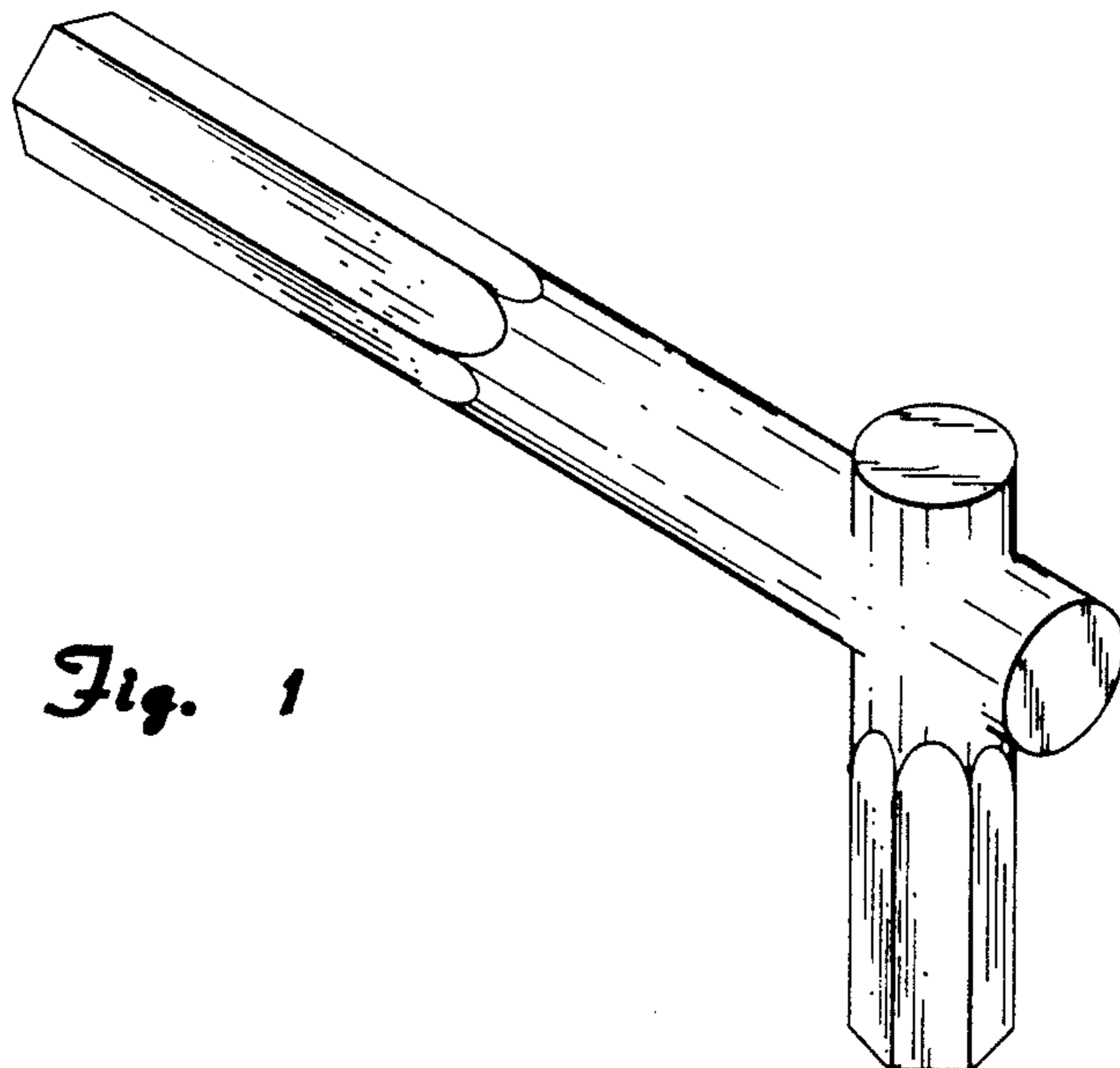


Fig. 1

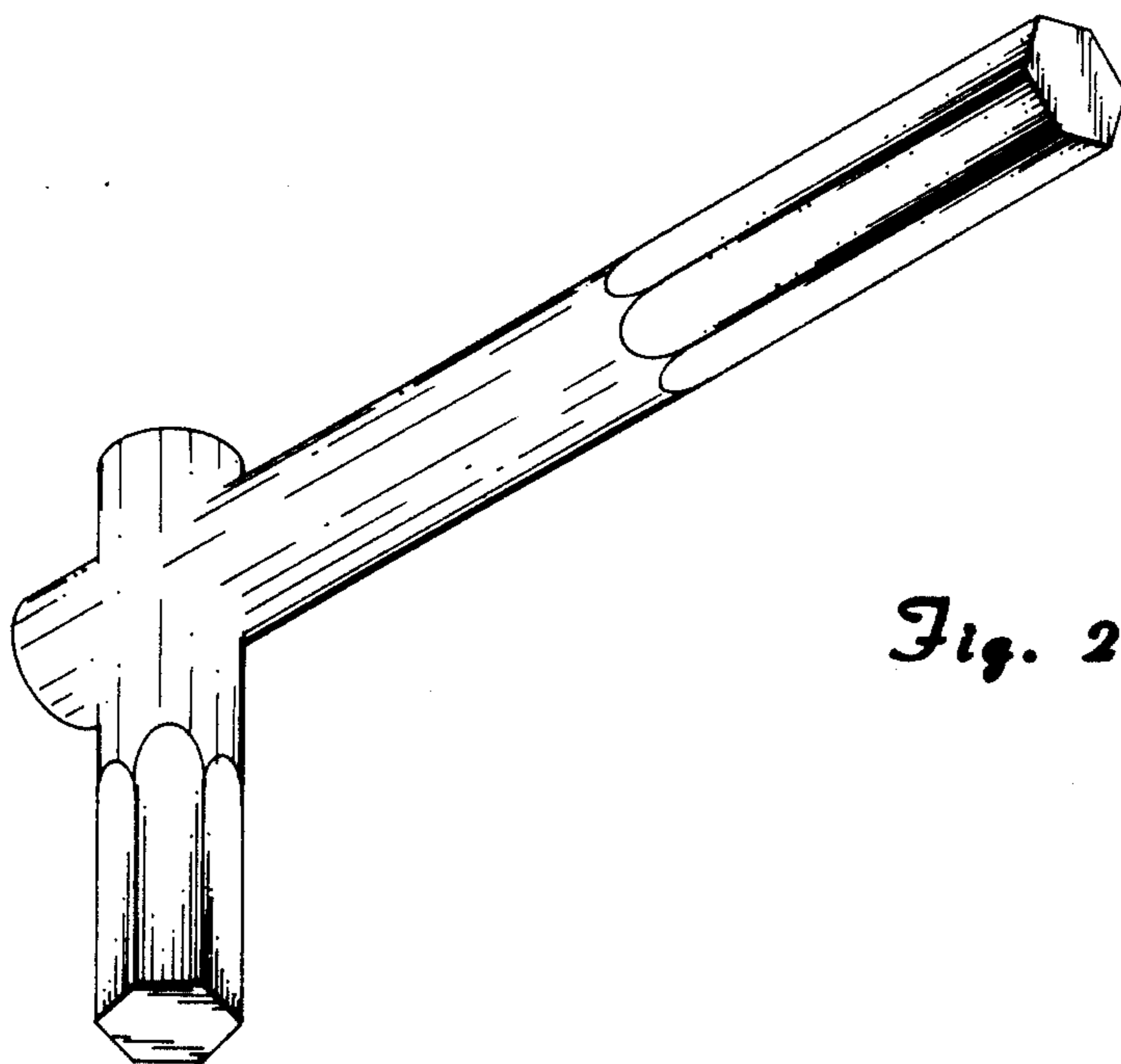


Fig. 2