

[54] COFFEE MILL

[75] Inventor: Husazo Maejima, Tokyo, Japan

[73] Assignee: Sachie Ando, Tokyo, Japan

[**] Term: 14 Years

[21] Appl. No.: 722,056

[22] Filed: Sep. 9, 1976

[30] Foreign Application Priority Data

July 7, 1976 Japan 51-21070

[51] Int. Cl. D7-04; D15-08

[52] U.S. Cl. D7/155; D15/100

[58] Field of Search D7/153, 155; D15/100; 241/100; 99/286

[56] References Cited

U.S. PATENT DOCUMENTS

D. 218,257 8/1970 Rams D15/100

D. 242,892 1/1977 Brown et al. D7/155

OTHER PUBLICATIONS

Industrial Design, Sep./Oct. 1976, p. 14, Krups Coffee Grinder.

House and Garden, May 1972, p. 136, Braun Coffee Mill.

Merchandising Week, Jan. 13, 1975, p. 29, GE Coffee Maker.

Primary Examiner—Wallace R. Burke

Assistant Examiner—Catherine Kemper

Attorney, Agent, or Firm—Eric H. Waters

[57] CLAIM

The ornamental design for a coffee mill, as shown.

DESCRIPTION

FIG. 1 is a front elevational view of a coffee mill, showing my new design;

FIG. 2 is a right side elevational view thereof;

FIG. 3 is a rear elevational view thereof;

FIG. 4 is a top plan view thereof;

FIG. 5 is a bottom plan view thereof;

FIG. 6 is an exploded perspective view thereof.

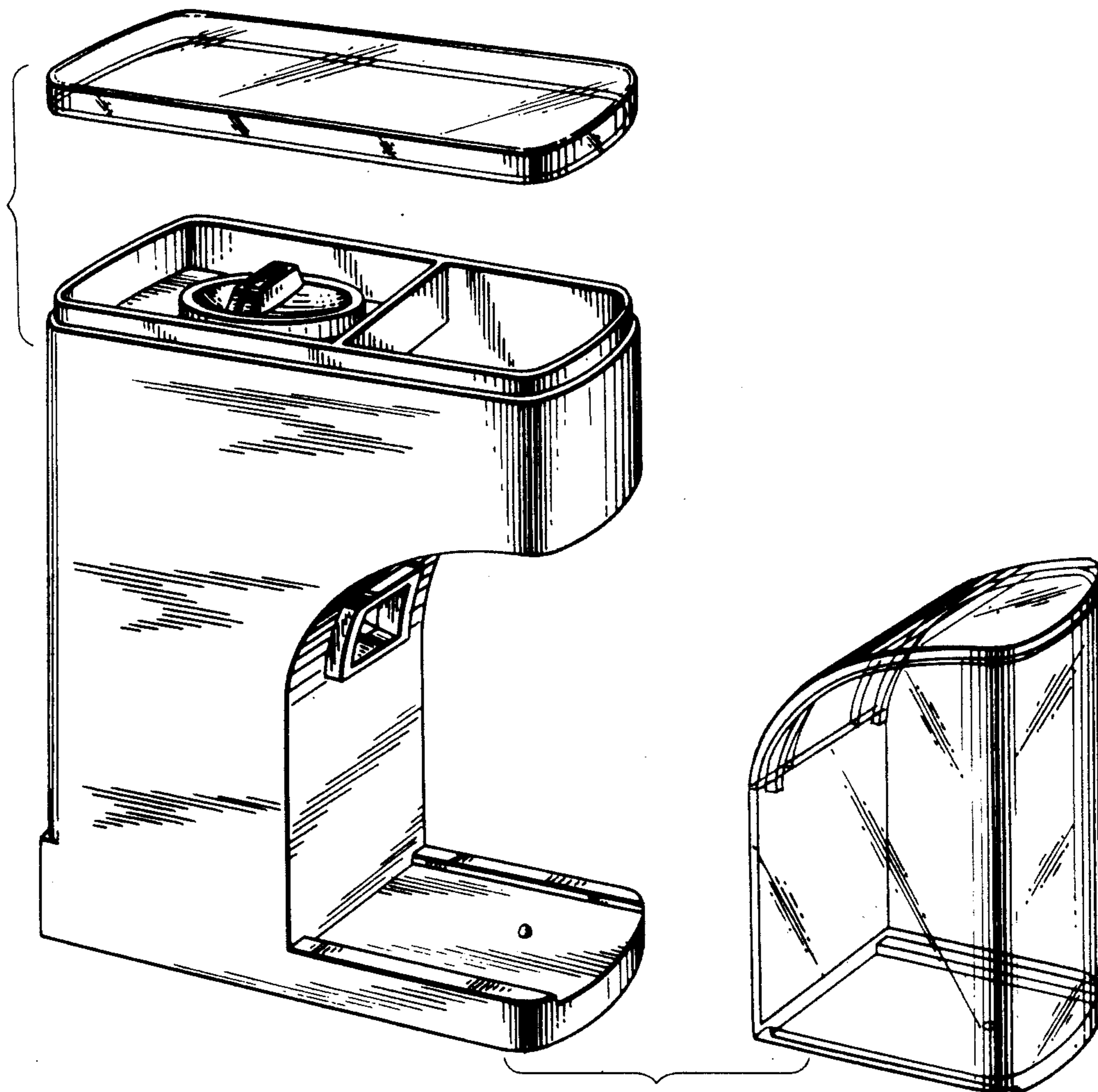


FIG. 2

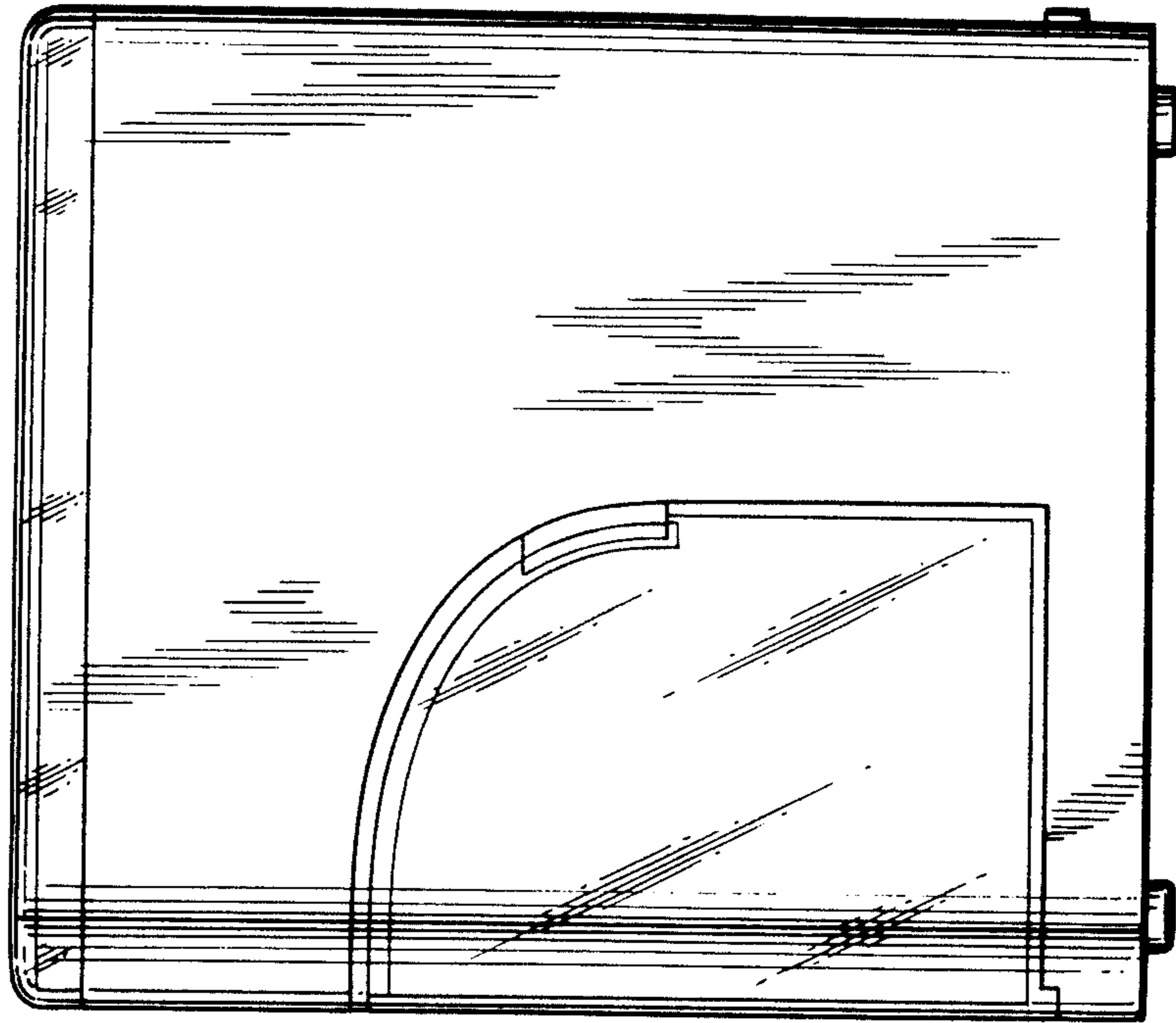


FIG. 1

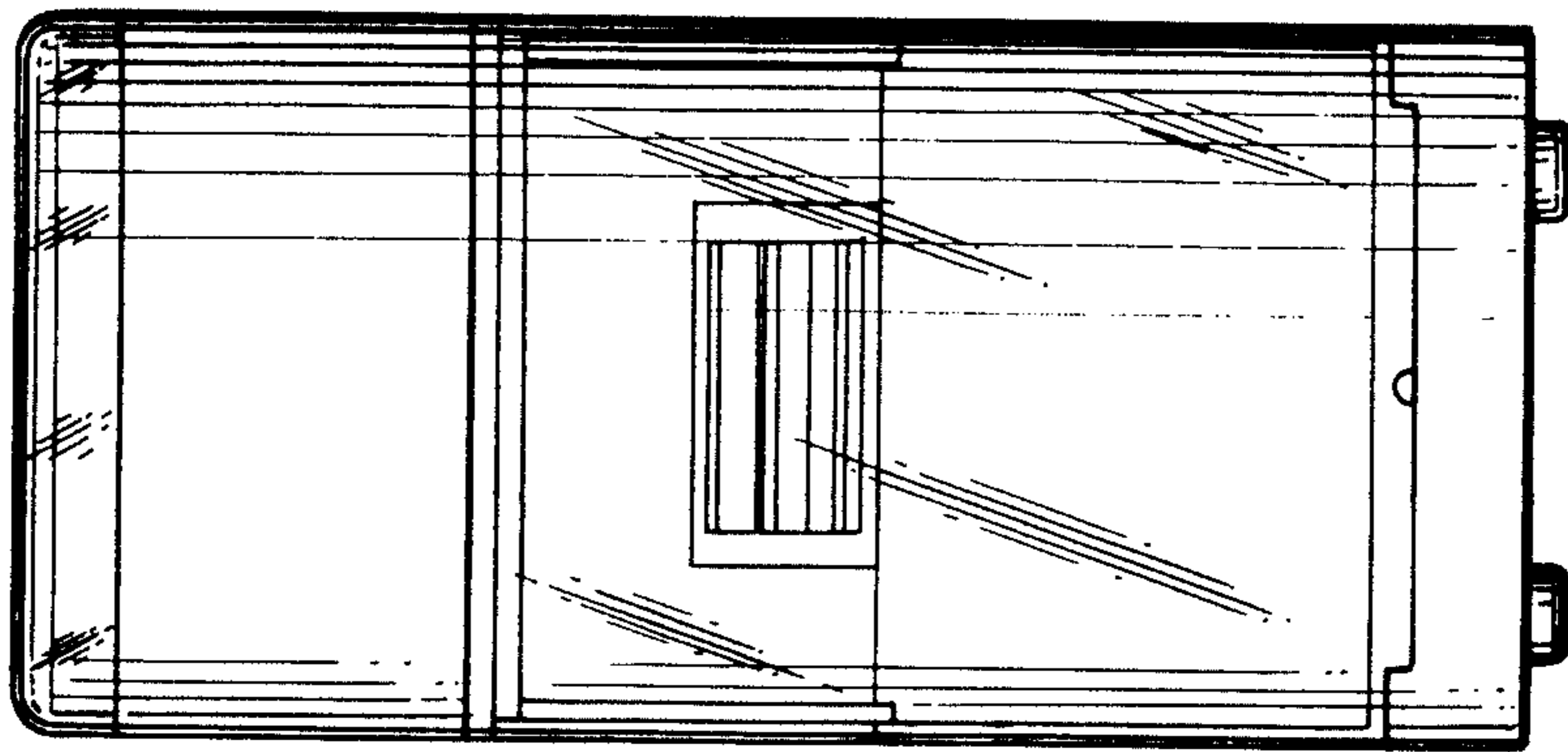


FIG. 4

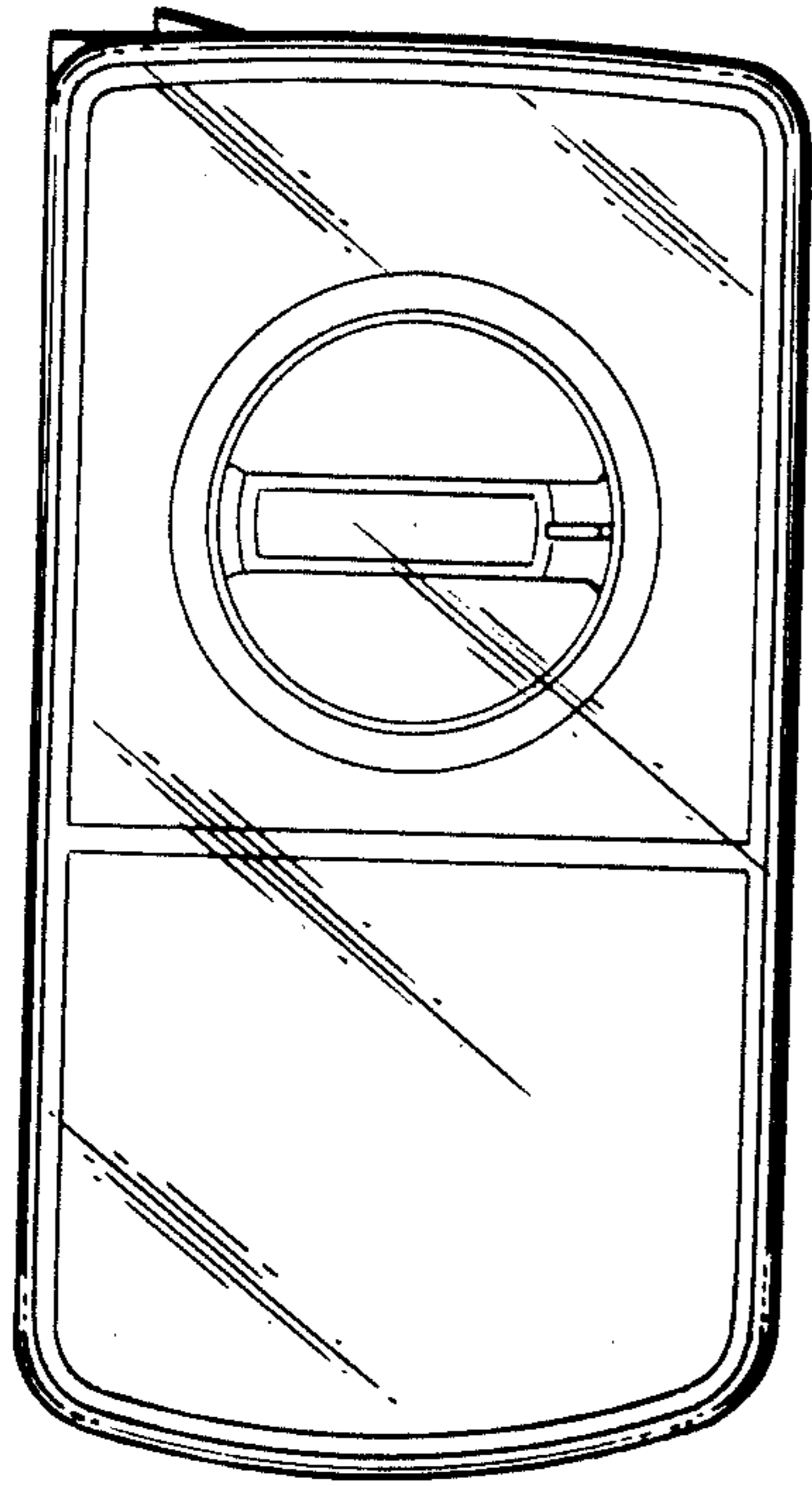


FIG. 5

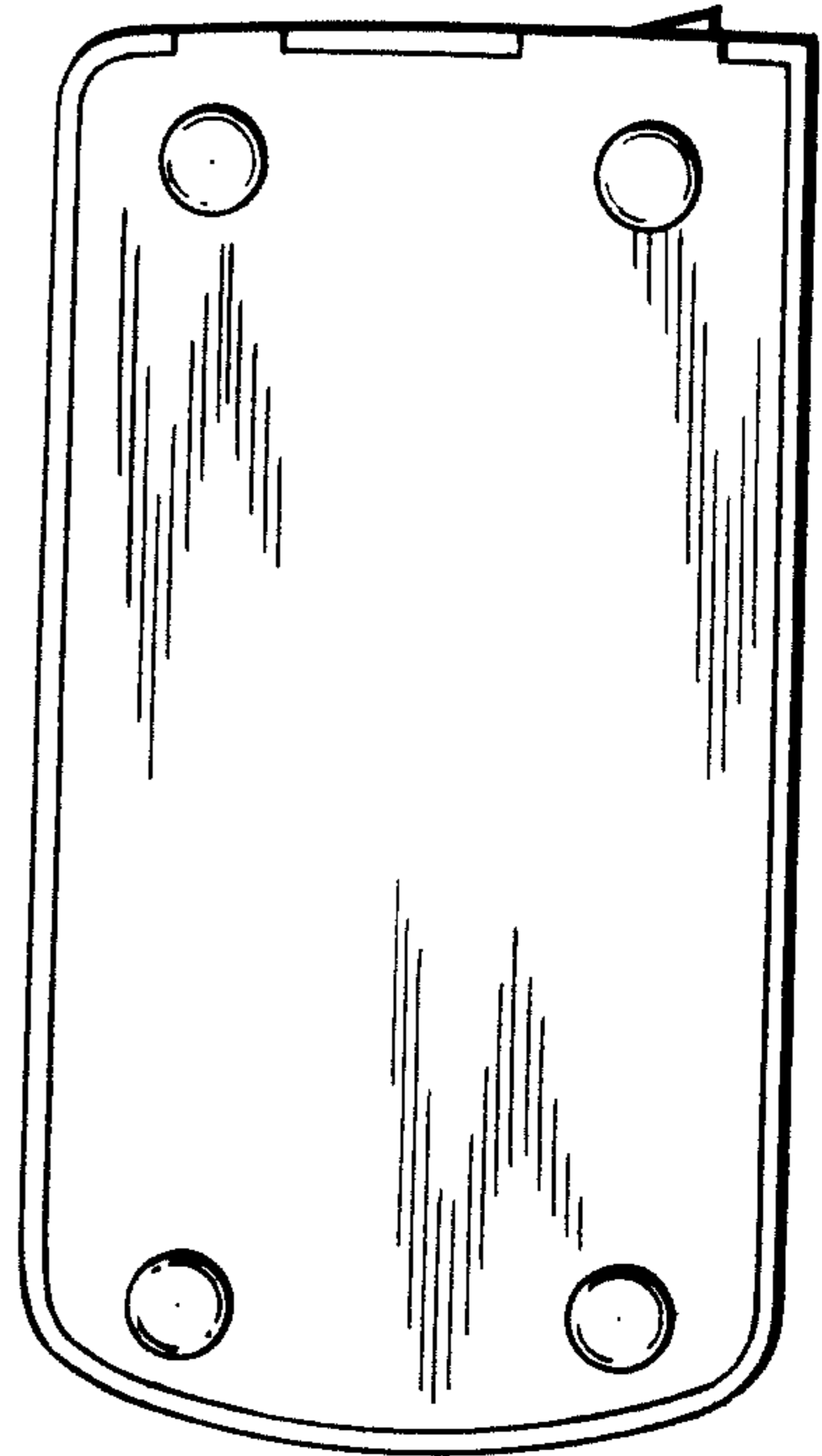


FIG. 3

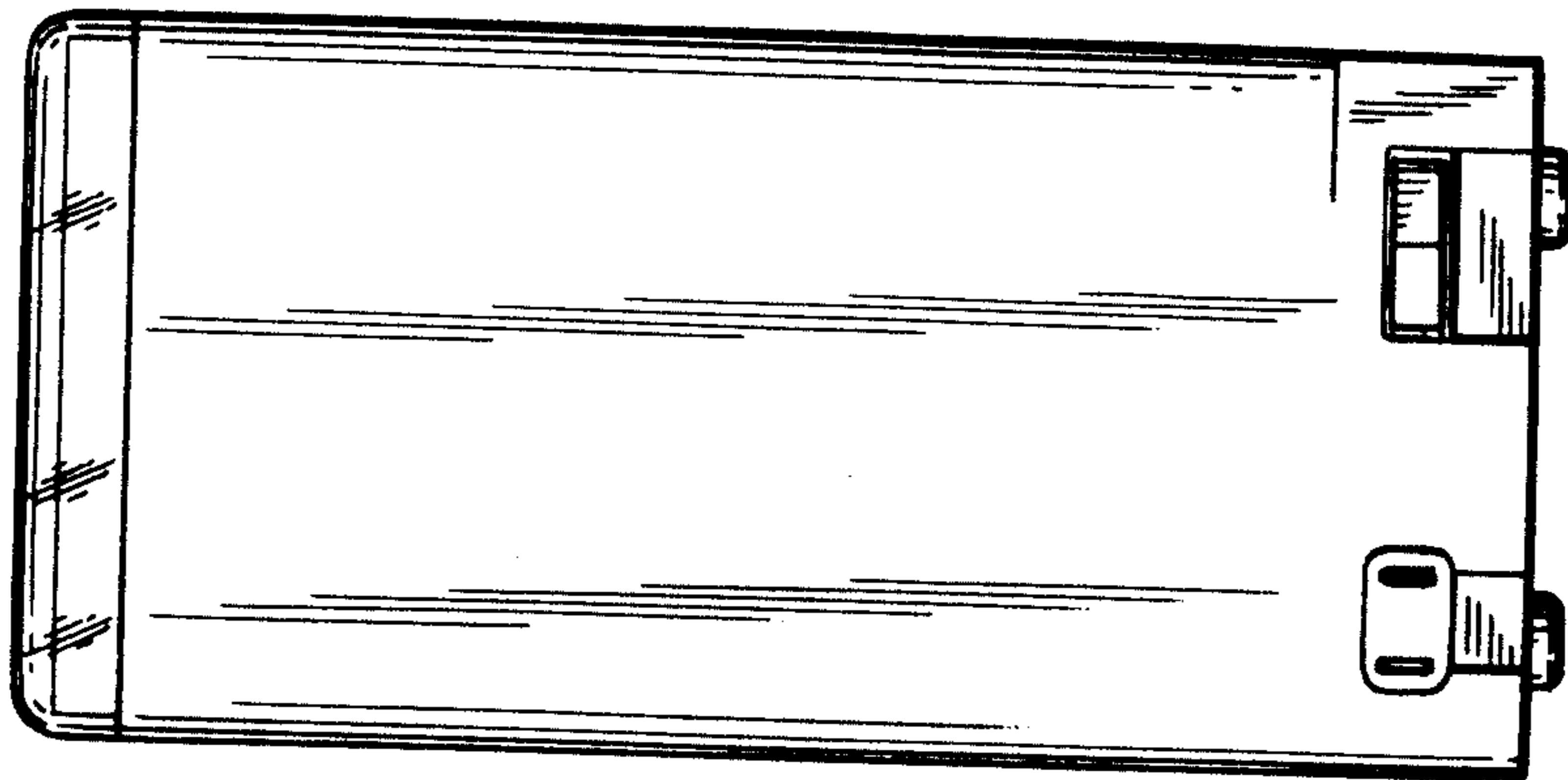


FIG. 6

