

[54] **ELECTRIC COOKING BASE AND VESSEL**
 [75] Inventors: **David L. Painter**, Glenview, Ill.;
Norman C. Minsky, West Bend, Wis.
 [73] Assignee: **Dart Industries Inc.**, Los Angeles,
 Calif.
 [**] Term: **14 Years**
 [21] Appl. No.: **724,436**
 [22] Filed: **Sep. 20, 1976**
 [51] Int. Cl. **D7-02**
 [52] U.S. Cl. **D7/94; D7/97;**
D7/122; D7/123
 [58] Field of Search **D7/41, 99, 85, 86, 87,**
D7/88, 89, 90, 94, 95, 96, 97, 121, 122, 123, 124

[56] **References Cited**
U.S. PATENT DOCUMENTS

D. 158,439	5/1950	Budlane et al.	D7/94
D. 164,982	10/1951	Budlane et al.	D7/94
D. 169,283	4/1953	Orr	D7/94
D. 169,415	4/1953	Budlane et al.	D7/94

D. 171,609	3/1954	Morgan	D7/94
D. 172,429	6/1954	Orr	D7/94
D. 230,935	3/1974	Lloveras	D7/94

OTHER PUBLICATIONS

House & Garden, p. 156, May, 1973, "Lazy Day Slo-Cooker", at middle r., by West Bend.
 Good Housekeeping, Dec. 1973, p. 136, "Table Range", by Corning, bottom panel.

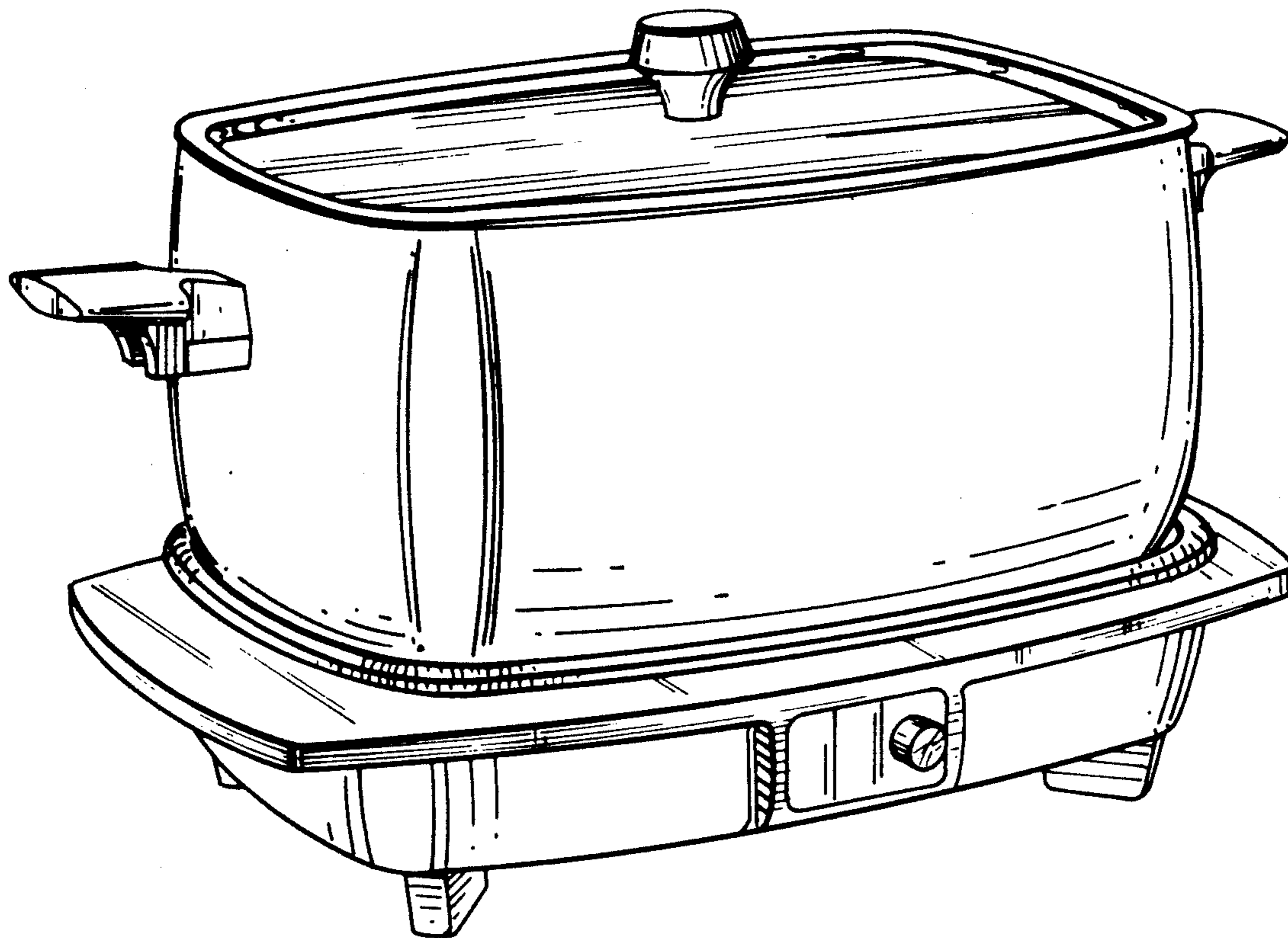
Primary Examiner—Winifred E. Herrmann
Attorney, Agent, or Firm—Kenneth J. Hovet

[57] **CLAIM**

The ornamental design for an electric cooking base and vessel, substantially as shown.

DESCRIPTION

FIG. 1 is a front perspective view of an electric cooking base and vessel showing our new design;
 FIG. 2 is an end elevation view thereof;
 FIG. 3 is a rear elevation view thereof;
 FIG. 4 is a top plan view thereof;
 FIG. 5 is a bottom plan view thereof.



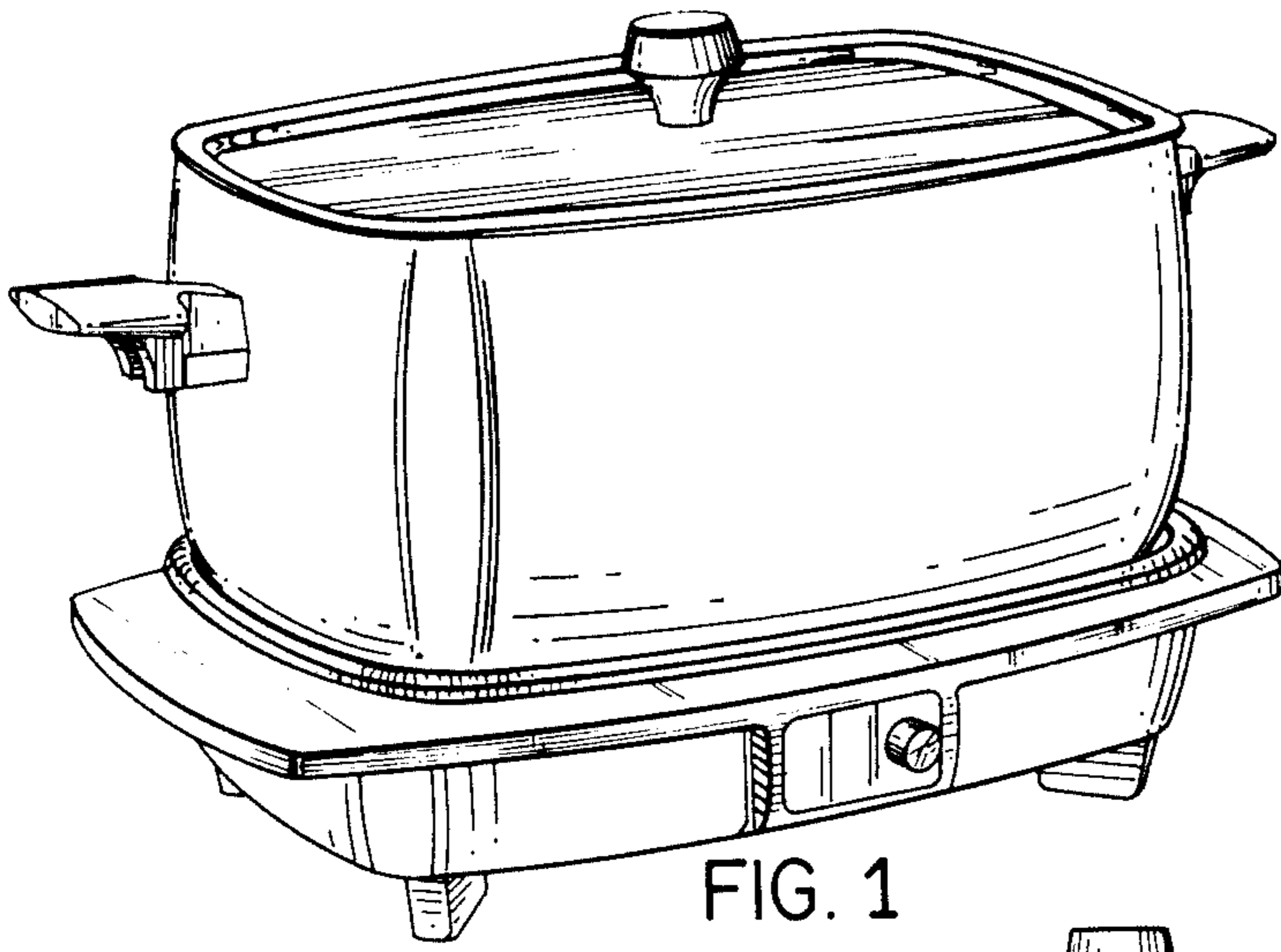


FIG. 1

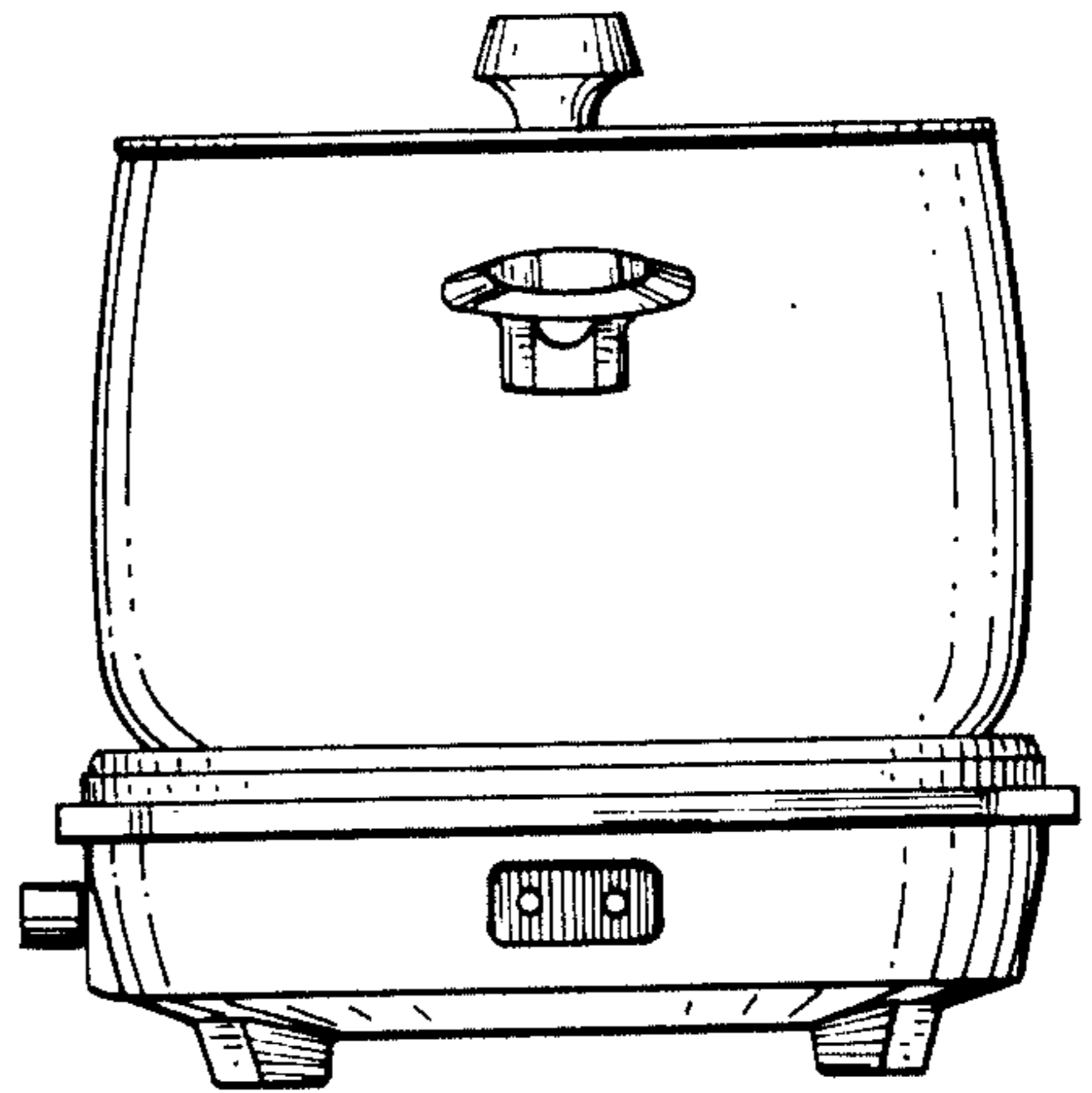


FIG. 2

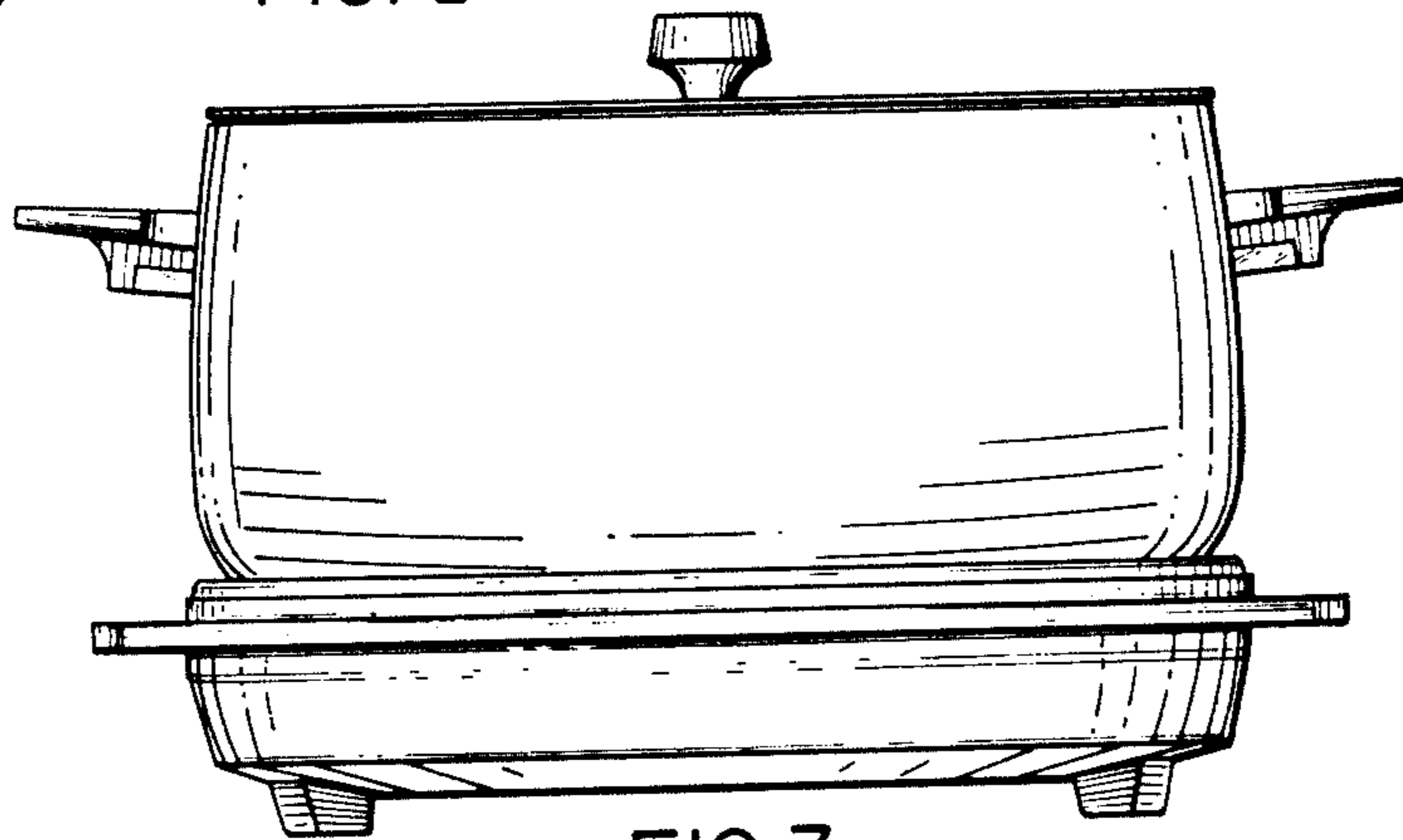


FIG. 3

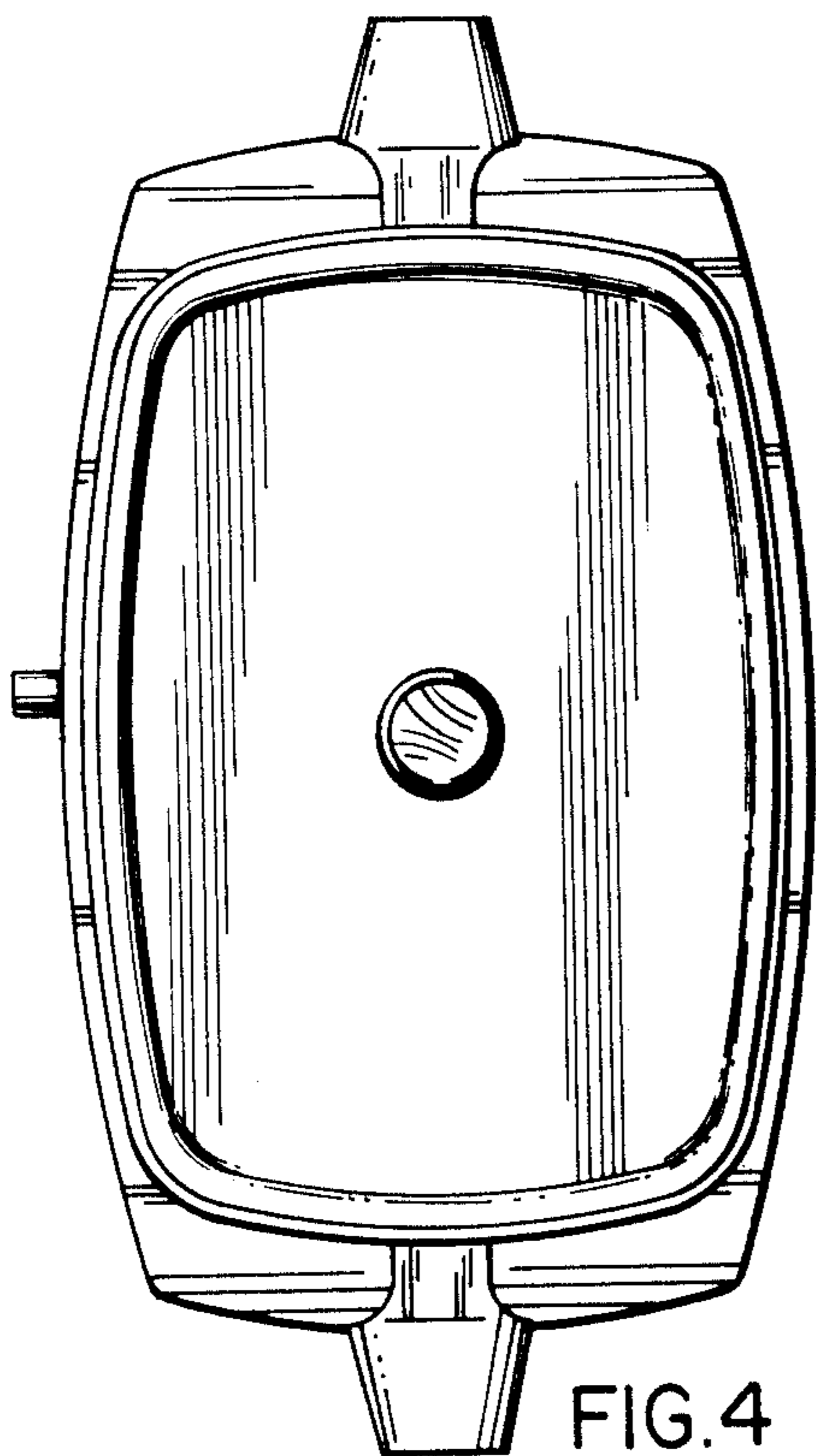


FIG. 4

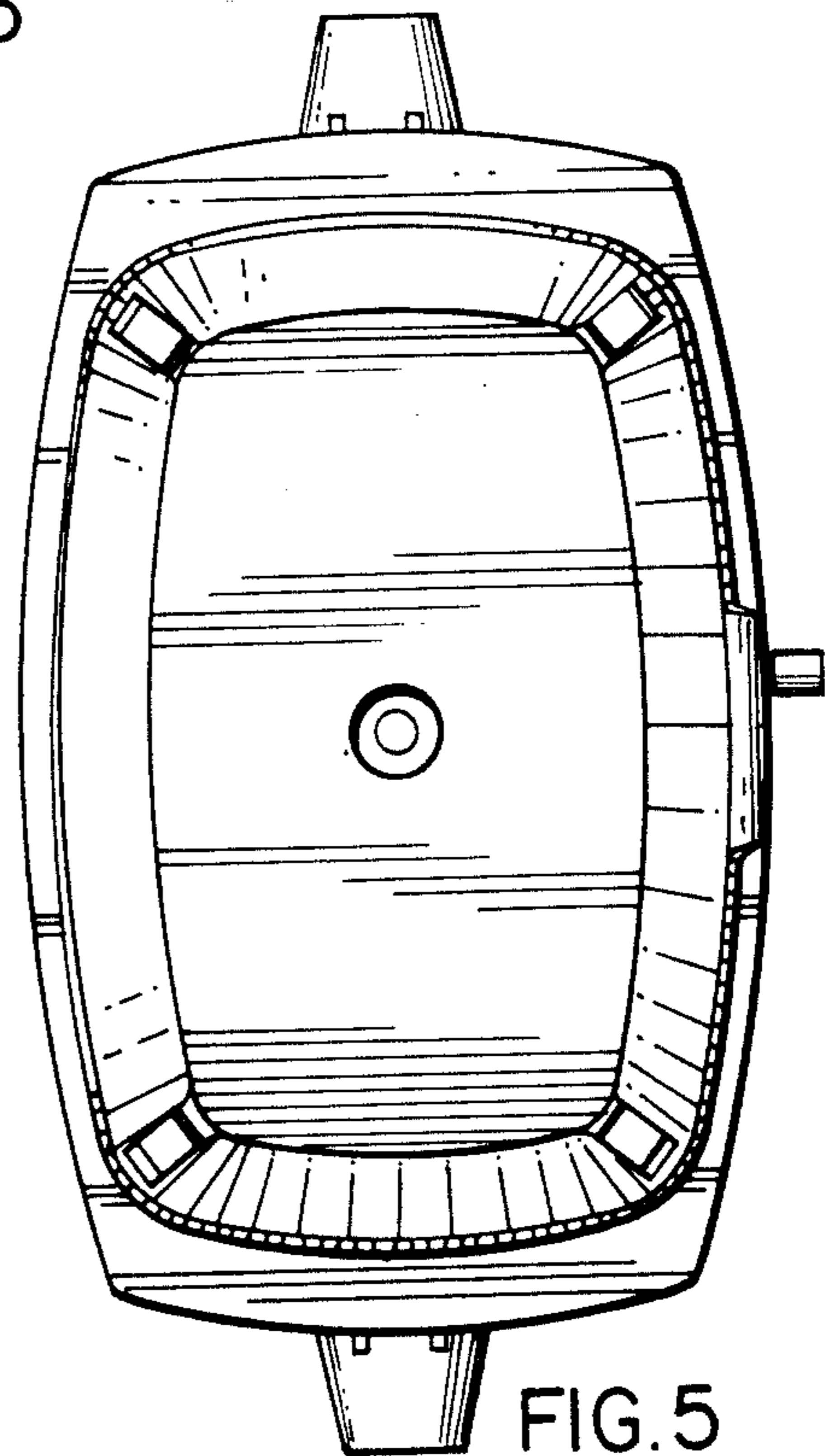


FIG. 5