

[54] **TUMBLER OR THE LIKE**

[75] Inventor: **Robert H. C. M. Daenen, Hekelgem, Belgium**

[73] Assignee: **Dart Industries Inc., Los Angeles, Calif.**

[**] Term: **14 Years**

[21] Appl. No.: **736,678**

[22] Filed: **Oct. 28, 1976**

[51] Int. Cl. **D7-15; D7-01**

[52] U.S. Cl. **D7/11; D7/13**

[58] Field of Search **D7/6-15, D7/70, 71, 51, 45, 3; D9/220; 220/90.4; 215/11**

1,705,004 3/1929 Dick D7/23 X
 2,122,628 7/1938 Tracy D7/70 X
 2,534,614 12/1950 Michael 220/90.4
 2,589,967 3/1952 Sawyer 215/100.5

FOREIGN PATENT DOCUMENTS

1,437,341 3/1966 France 220/90.4
 18,468 of 1912 United Kingdom D7/15

Primary Examiner—Winifred E. Herrmann
Attorney, Agent, or Firm—Leigh B. Taylor

[57] **CLAIM**

The ornamental design for a tumbler or the like, substantially as shown.

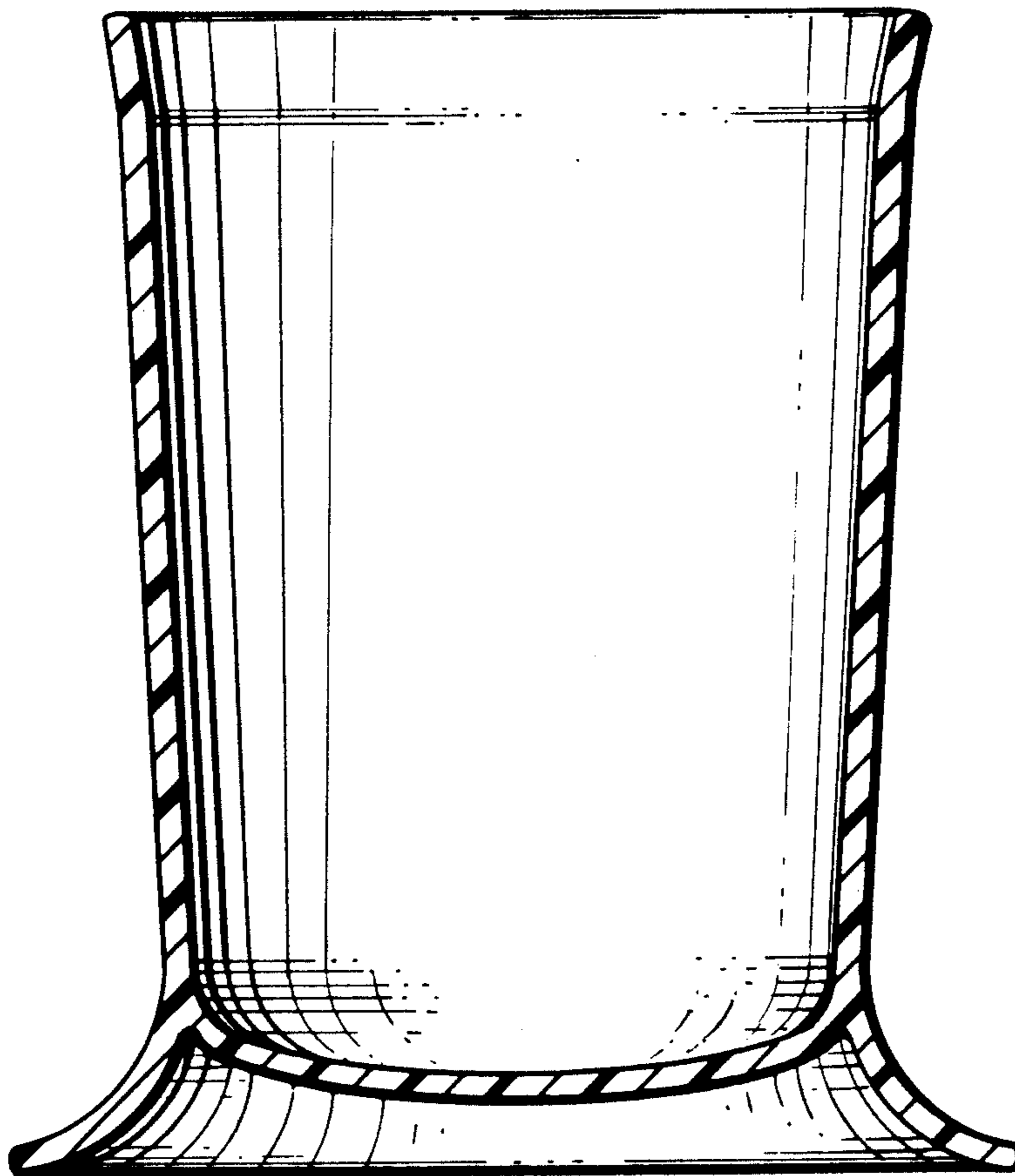
DESCRIPTION

FIG. 1 is a top perspective view of the tumbler or the like showing my new design;
 FIG. 2 is a side elevational view thereof;
 FIG. 3 is a top plan view thereof;
 FIG. 4 is a bottom plan view thereof; and,
 FIG. 5 is a cross-sectional view thereof taken along line 5-5 of FIG. 3.

[56] **References Cited**

U.S. PATENT DOCUMENTS

D. 8,390 6/1875 Pears D7/9
 D. 164,572 9/1951 Happe D7/45
 D. 242,200 11/1976 Ashton D7/23 X



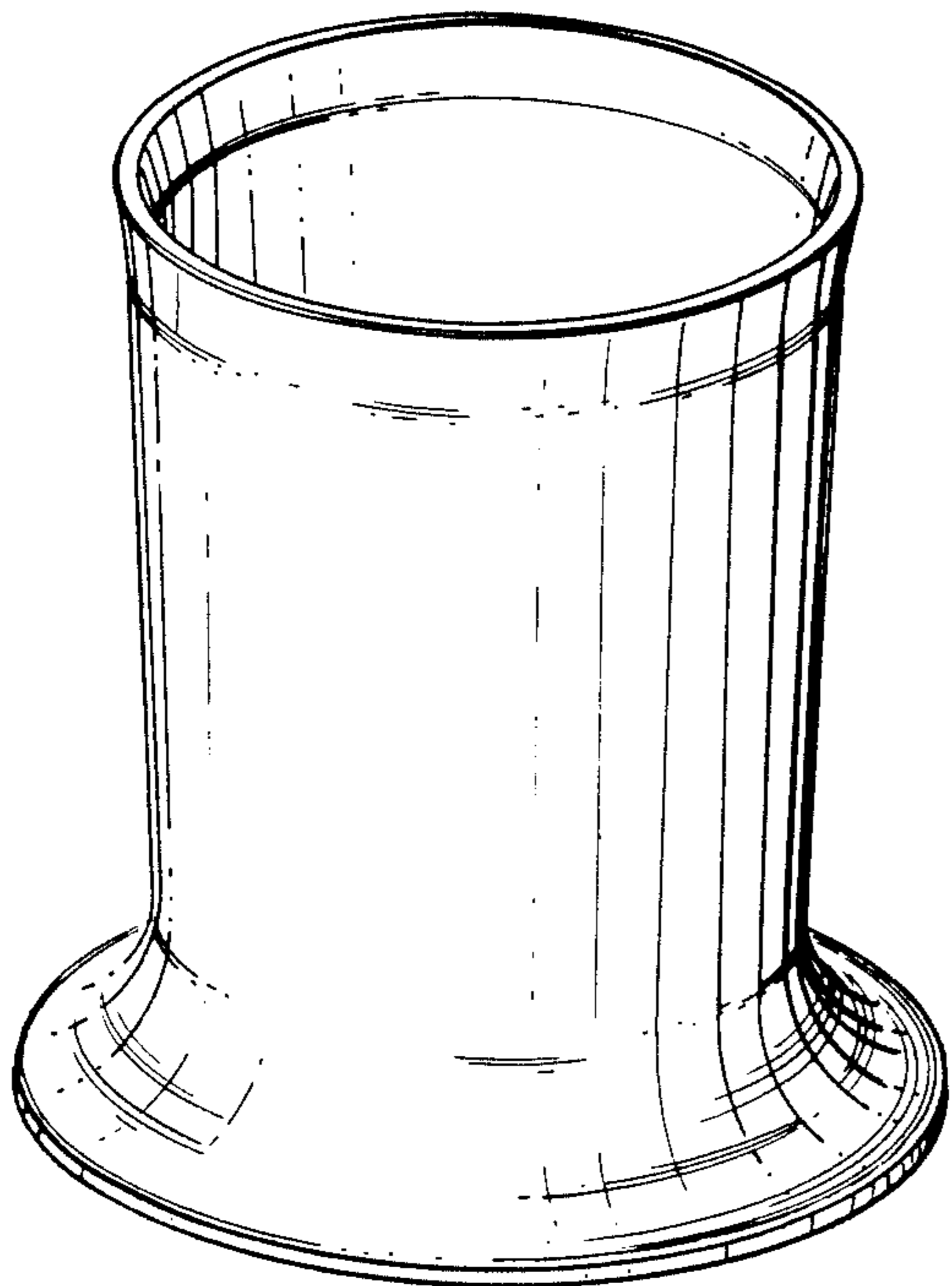


FIG. 1

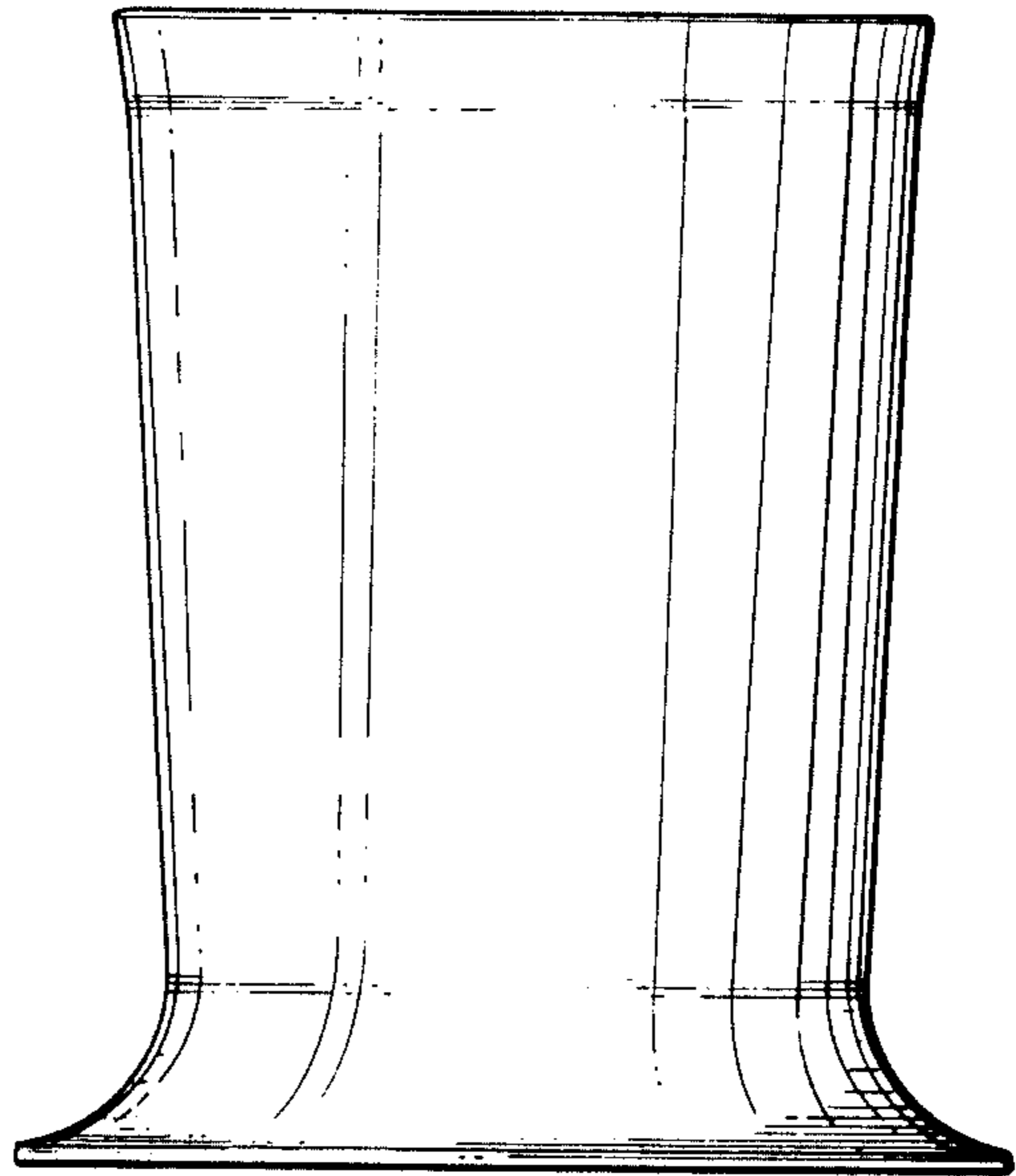


FIG. 2

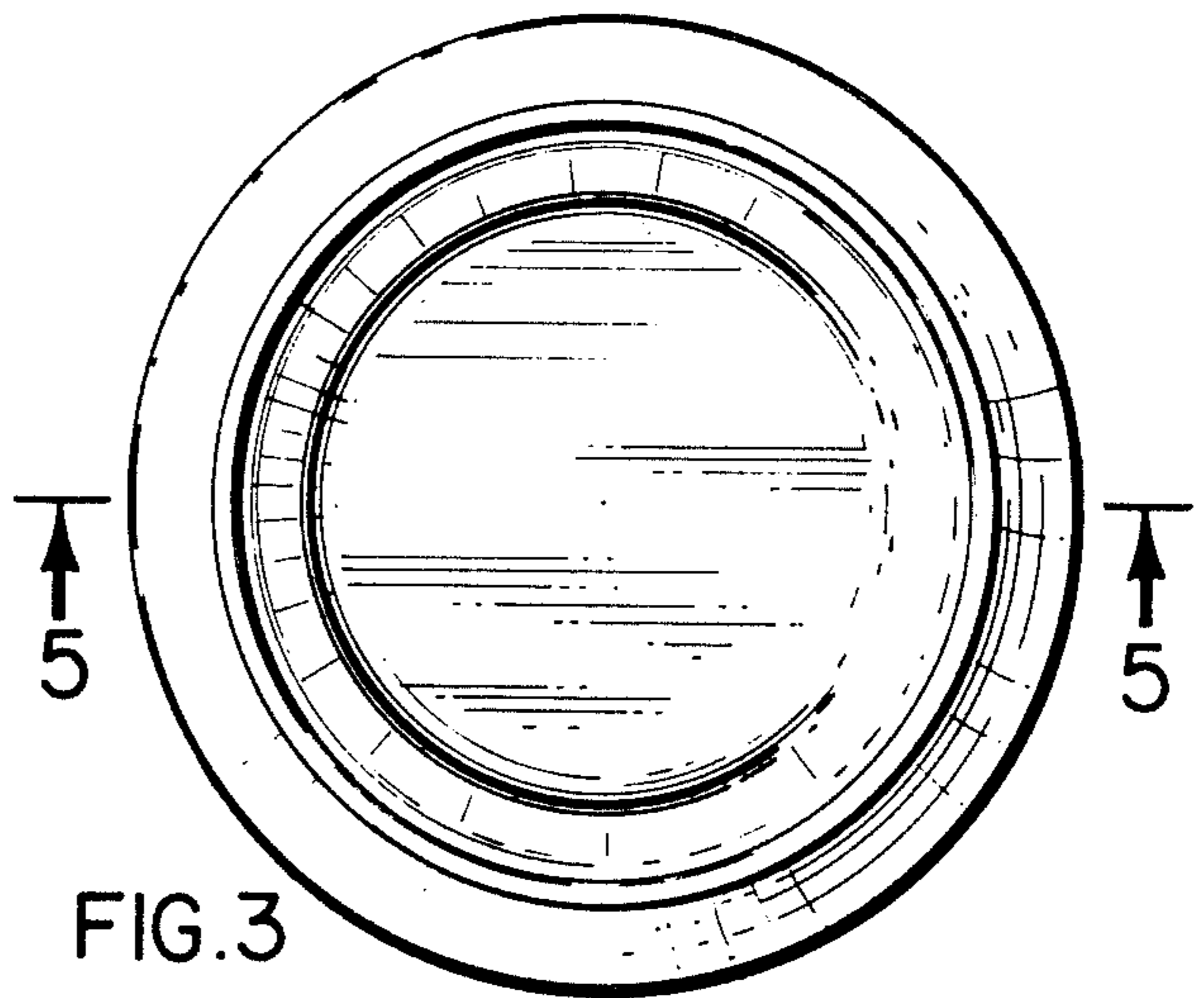


FIG. 3

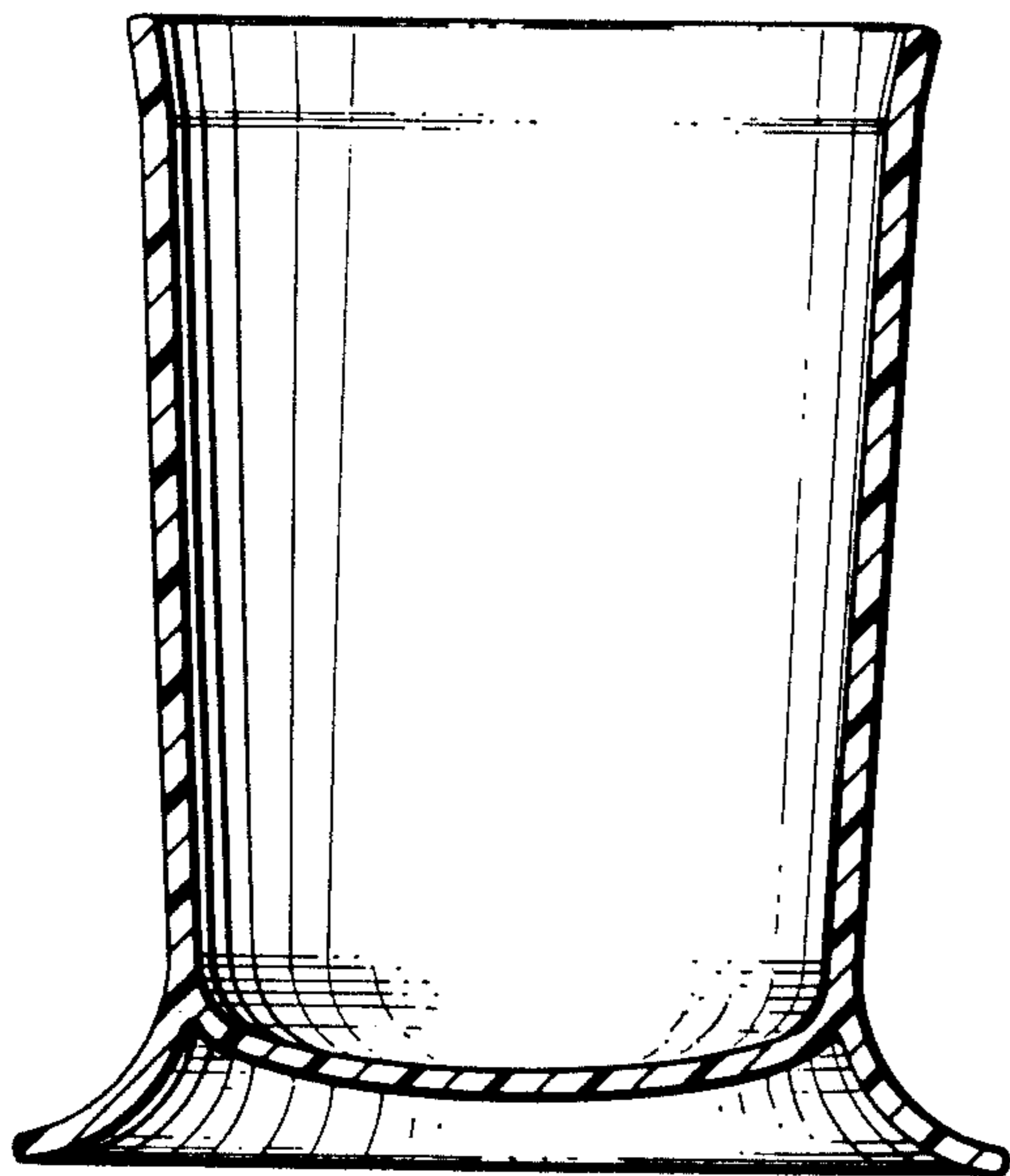


FIG. 5

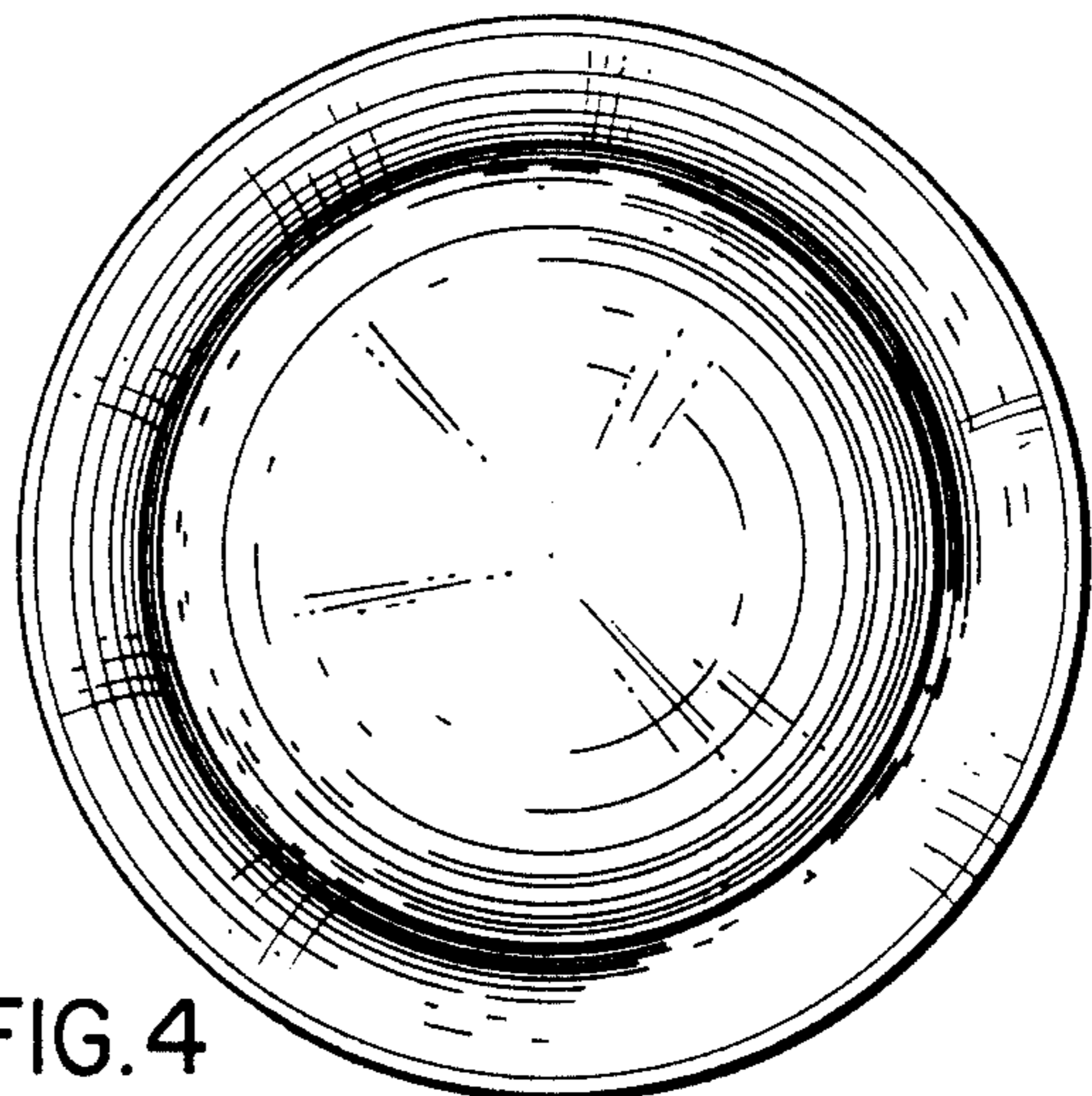


FIG. 4