

[54] CABINET

3,736,036 5/1973 Mathus 312/285
3,862,787 1/1975 Hilsinger 312/285

[76] Inventor: Robert H. Johnson, 701 Laurie Dr.,
Winthrop Harbor, Ill. 60096

OTHER PUBLICATIONS

Yield House Cat., 1970, p. 30, Stereo Tape Cabinet, top
left, item No. 2.

[**] Term: 7 Years

Primary Examiner—Bruce W. Dunkins
Attorney, Agent, or Firm—Edward C. Threedy

[21] Appl. No.: 680,366

[22] Filed: Apr. 26, 1976

[57] CLAIM

[51] Int. Cl. D6—04

The ornamental design for a cabinet, as shown and
described.

[52] U.S. Cl. D6/169; D6/159;
D6/186; D87/1 R; D87/1 D

DESCRIPTION

[58] Field of Search D6/20, 23, 24, 25, 188,
D6/189, 185, 169; 211/58, 134, 163; 312/285,
202, 283; D87/1 R, 1 D

FIG. 1 is a perspective view of a cabinet, showing my
new design;

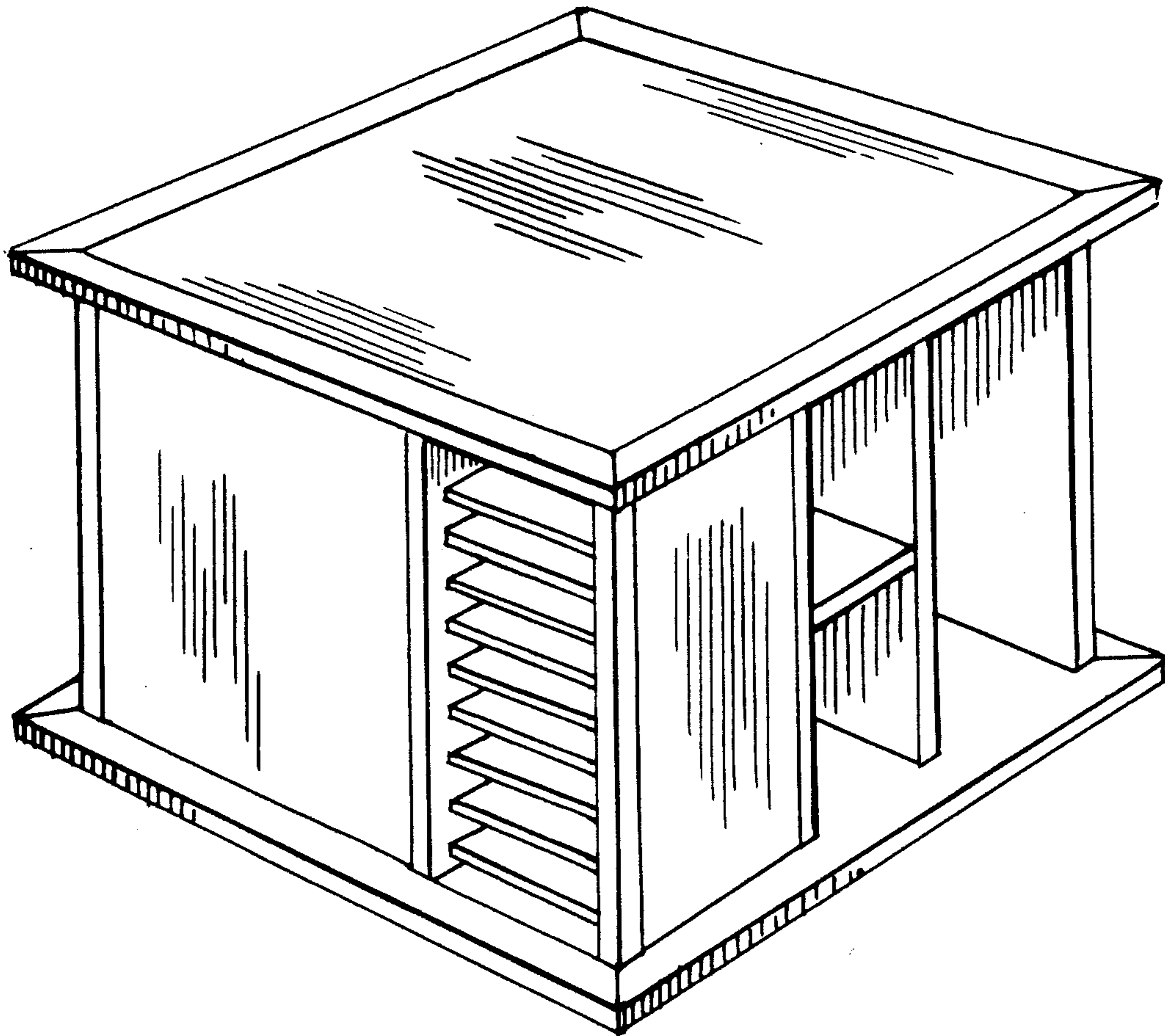
[56] References Cited

U.S. PATENT DOCUMENTS

D. 10,046 6/1877 Schuckers D6/25
D. 236,784 9/1975 Kapnek D6/188 X

FIG. 2 is a side elevational view of the side directly
opposite to that appearing on the left of FIG. 1;

FIG. 3 is a side elevational view of the side directly
opposite to that appearing to the right of FIG. 1; and
FIG. 4 is a bottom plan view thereof.



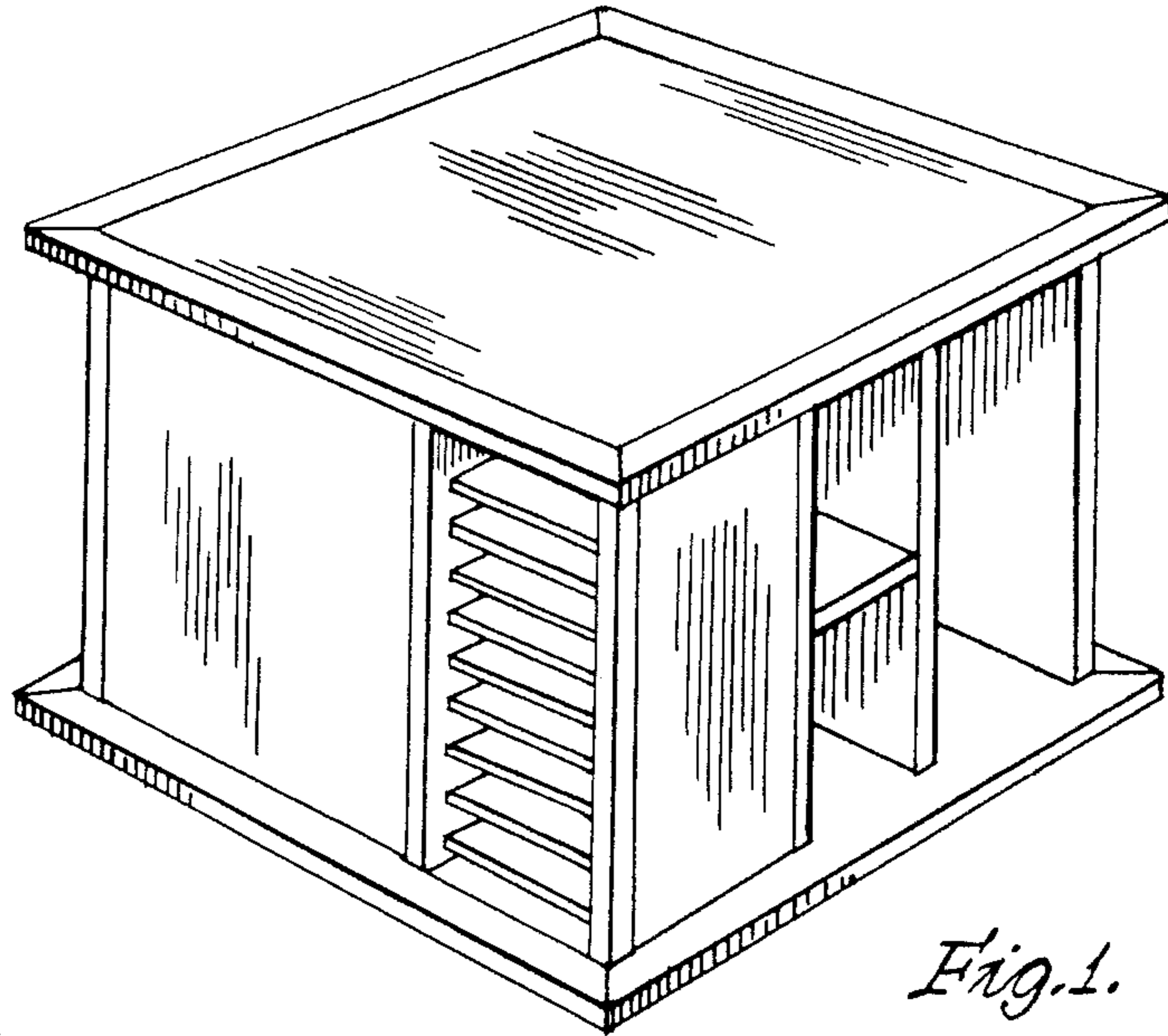


Fig. 1.

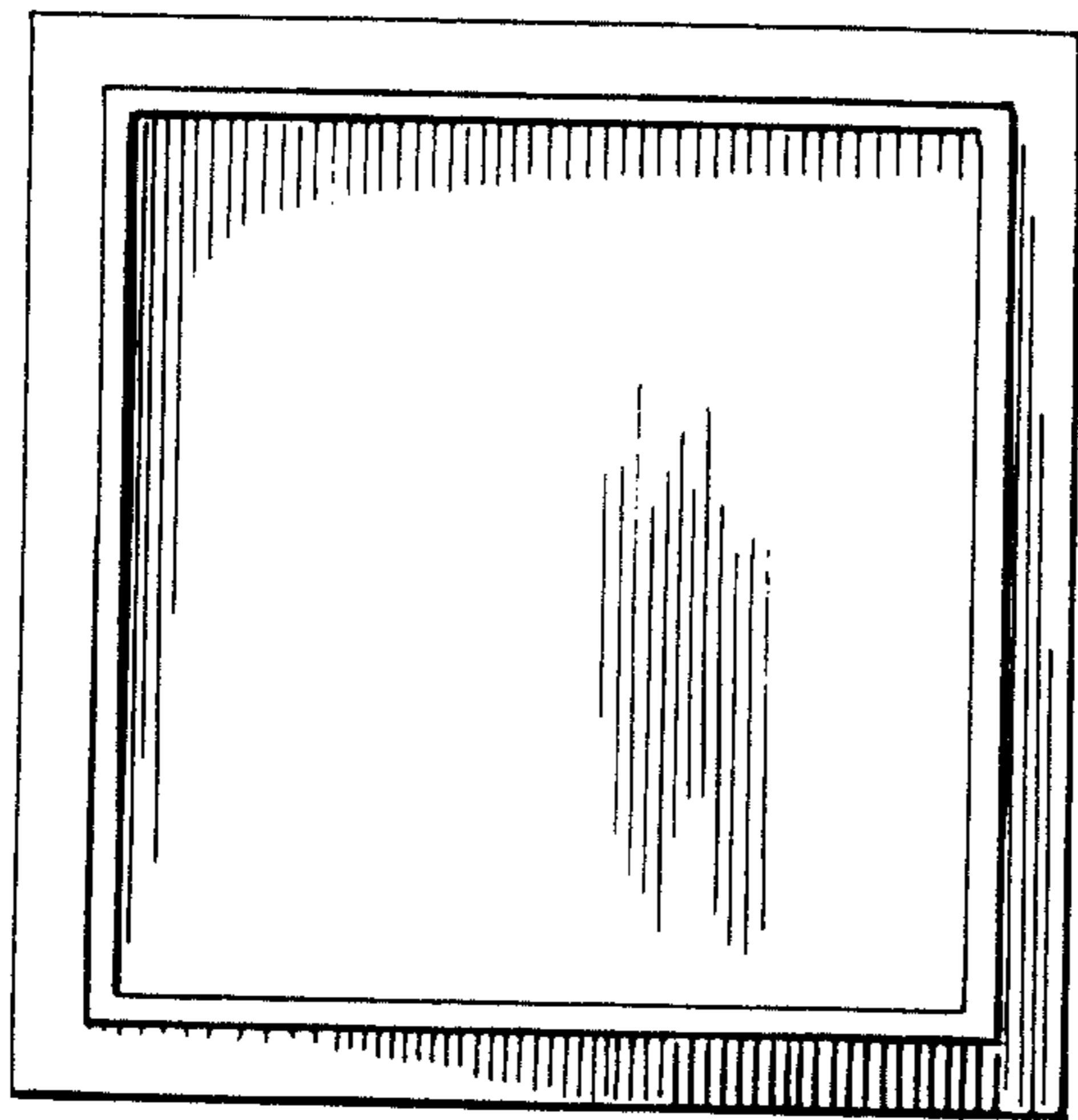


Fig. 4.

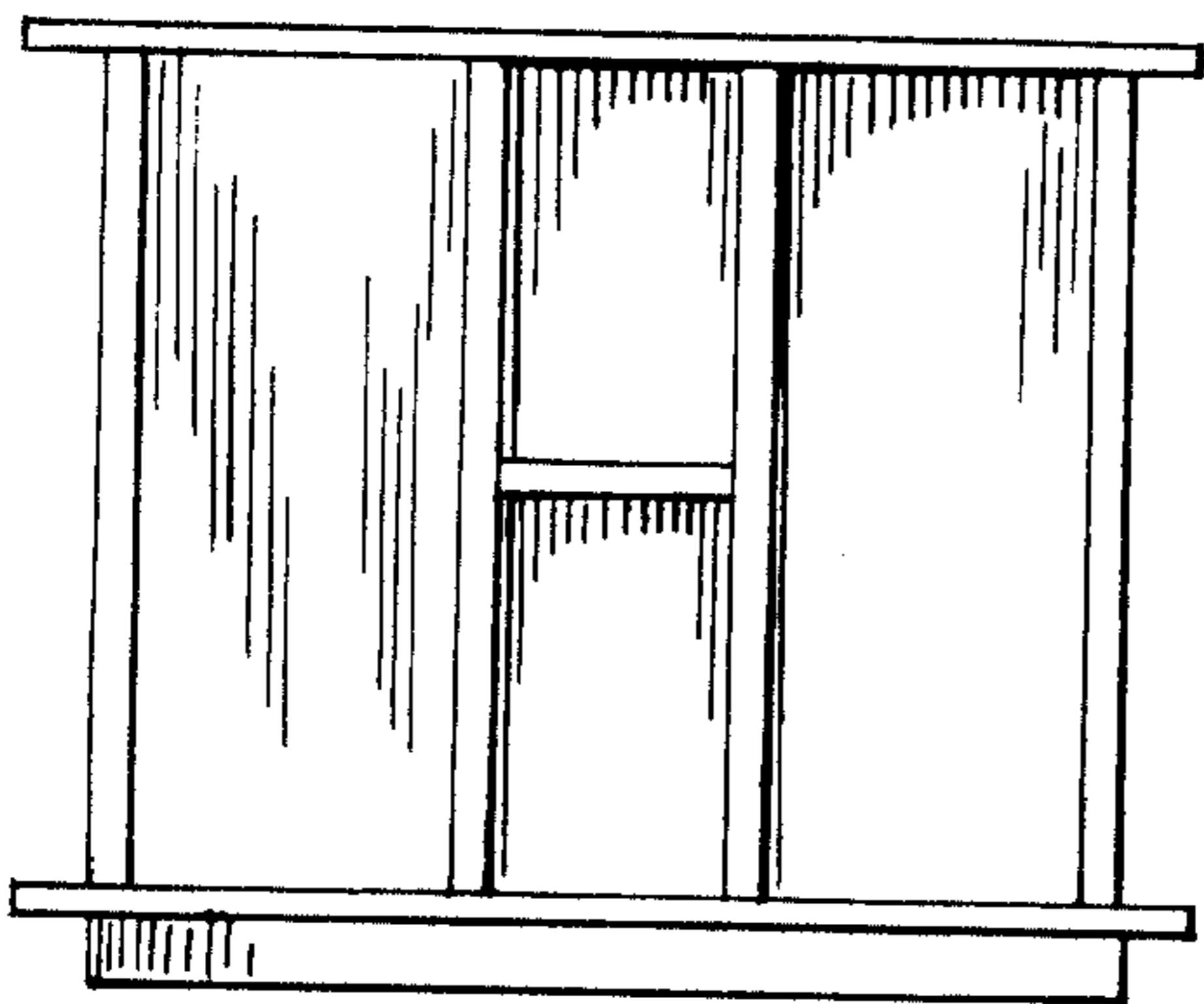


Fig. 2.

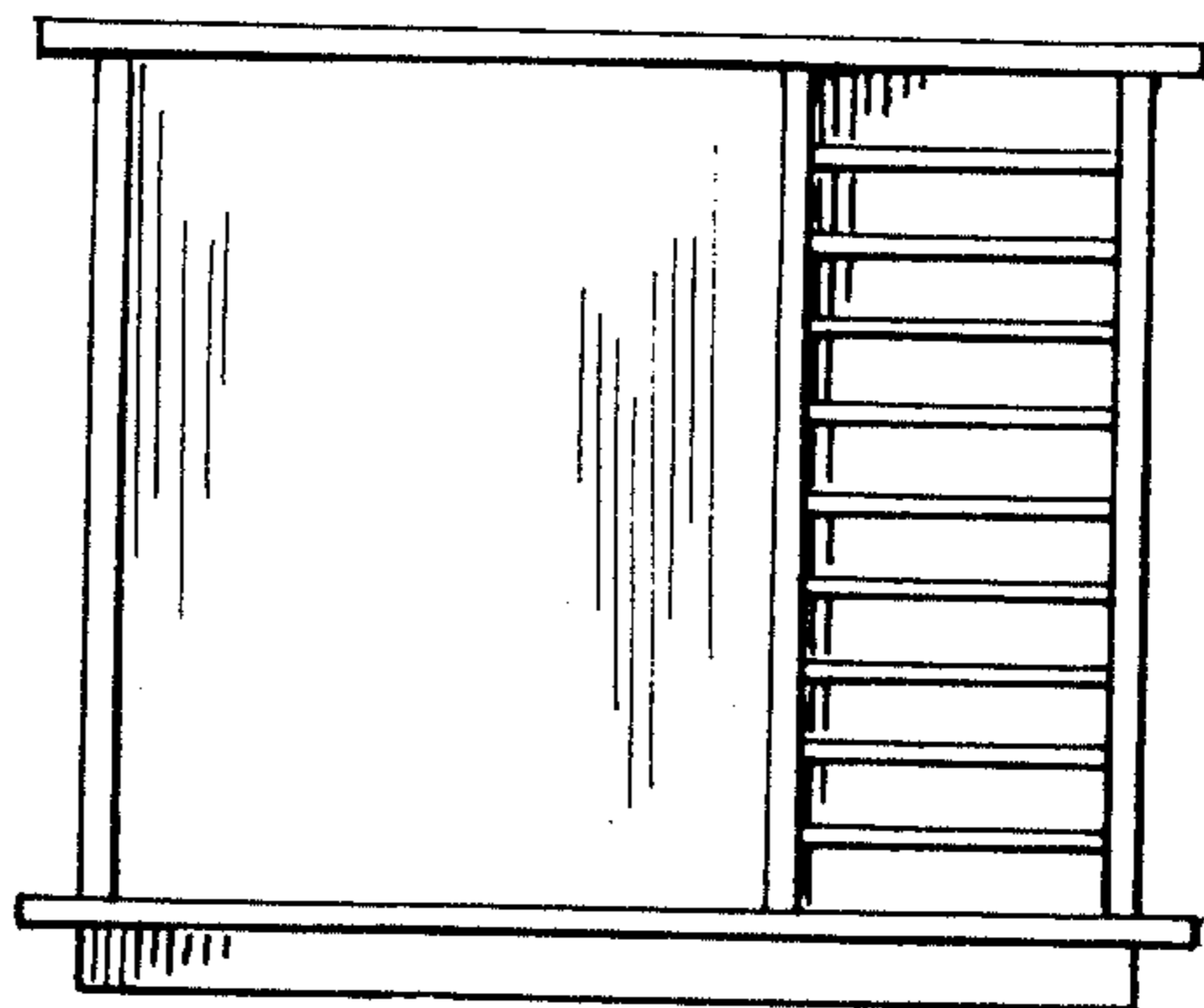


Fig. 3.