

[54] WINDOW SHELF FOR PLANTS

[76] Inventor: Earle G. Simmons, 25 Westchester Way, Warwick, R.I. 02886

[\*\*] Term: 14 Years

[21] Appl. No.: 689,519

[22] Filed: May 24, 1976

[51] Int. Cl. .... D6-06; D6-04

[52] U.S. Cl. .... D6/137; D6/134

[58] Field of Search ..... D6/20, 28, 85, 87, 93, D6/113, 132, 134-137, 179, 182, 186; 47/66, 67, 90, 72, 39; 211/74, 75, 113, 115, 117, 118, 90; 108/149; D11/143, 148, 149, 152, 155

[56] References Cited

U.S. PATENT DOCUMENTS

- D. 141,824 7/1945 Daum ..... D6/134
- D. 160,384 10/1950 Heacox ..... D6/135
- D. 187,277 2/1960 Rumbaugh ..... D11/148

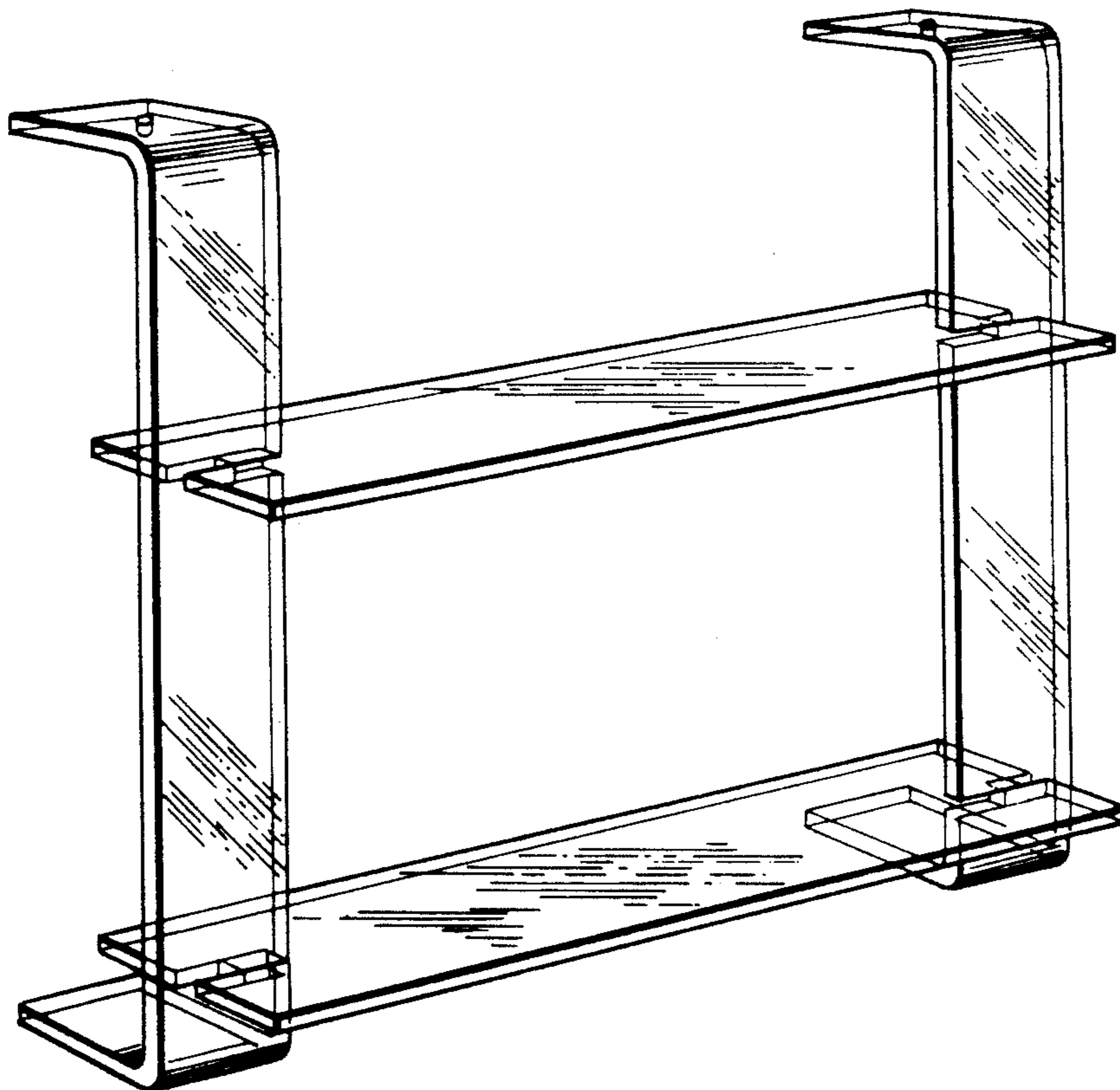
Primary Examiner—Wallace R. Burke  
Assistant Examiner—B. J. Bullock  
Attorney, Agent, or Firm—Elliot A. Salter

[57] CLAIM

The ornamental design for a window shelf for plants, substantially as shown.

DESCRIPTION

FIG. 1 is a perspective view of a window shelf for plants showing my new design;  
FIG. 2 is a side elevational view thereof;  
FIG. 3 is a front elevational view thereof;  
FIG. 4 is a rear elevational view thereof;  
FIG. 5 is a top plan view thereof; and  
FIG. 6 is a bottom plan view thereof.



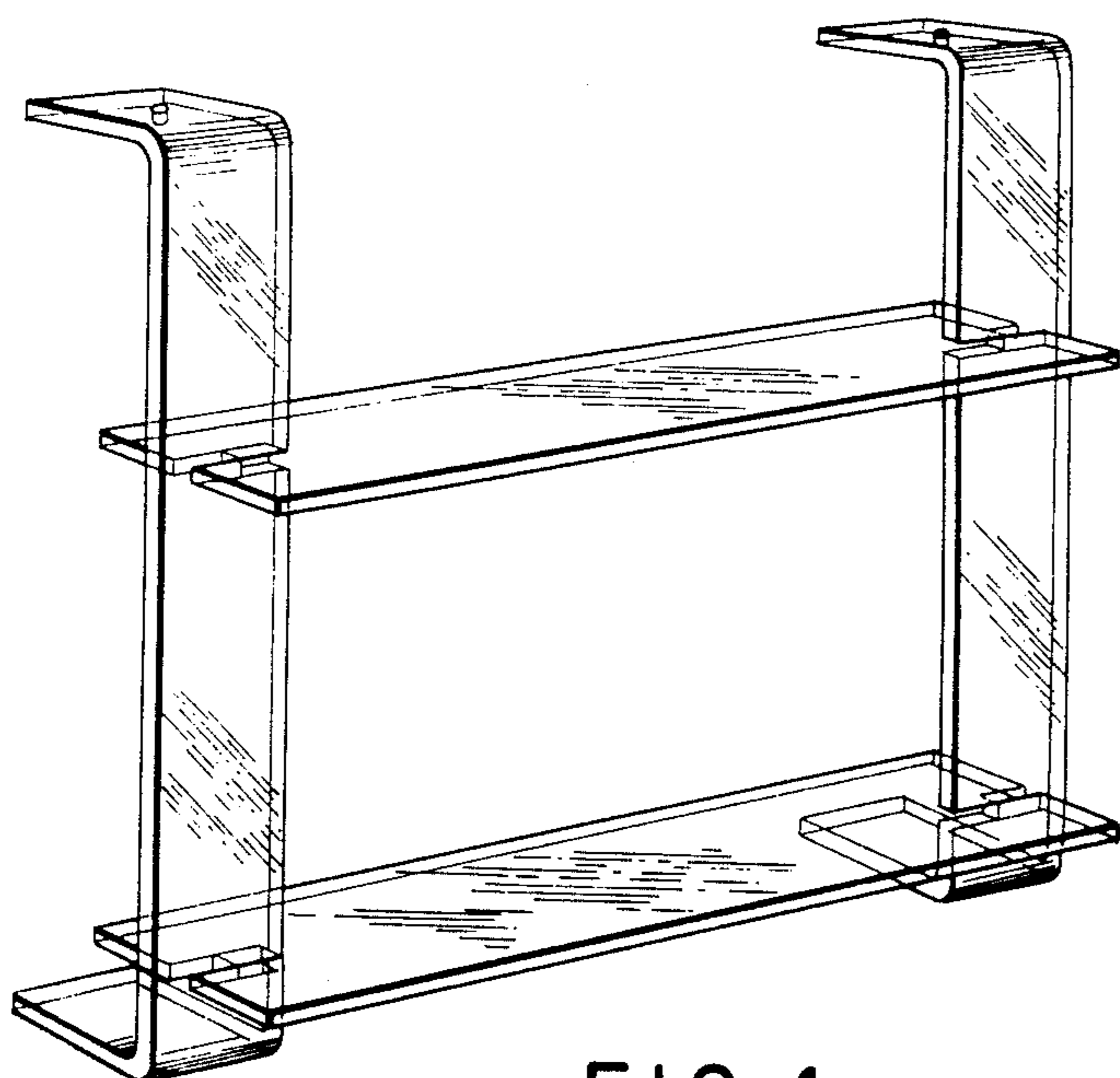


FIG. 1

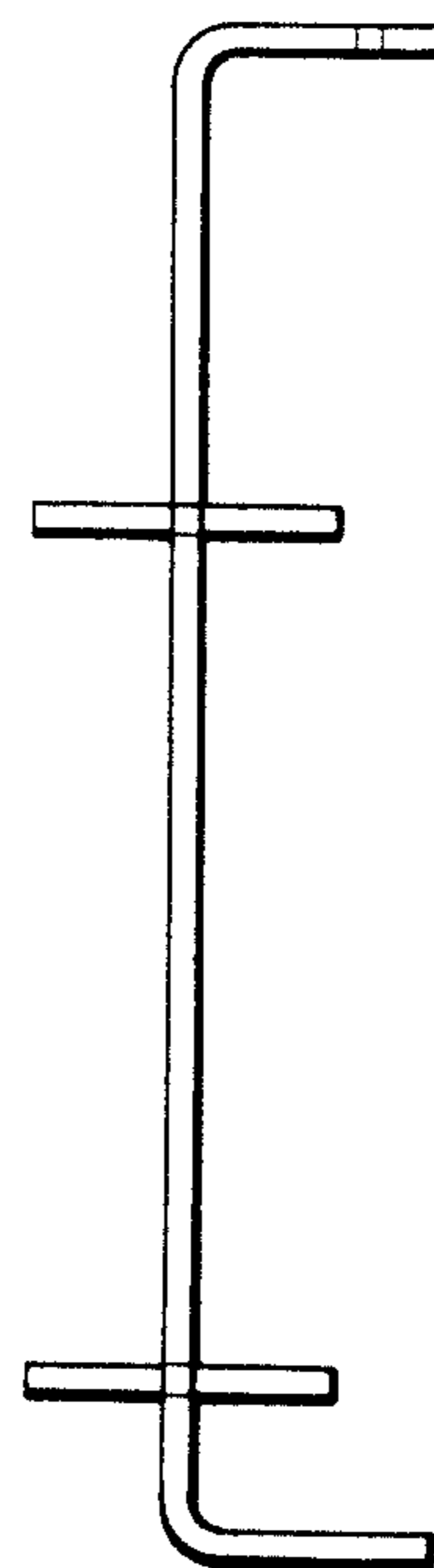


FIG. 2

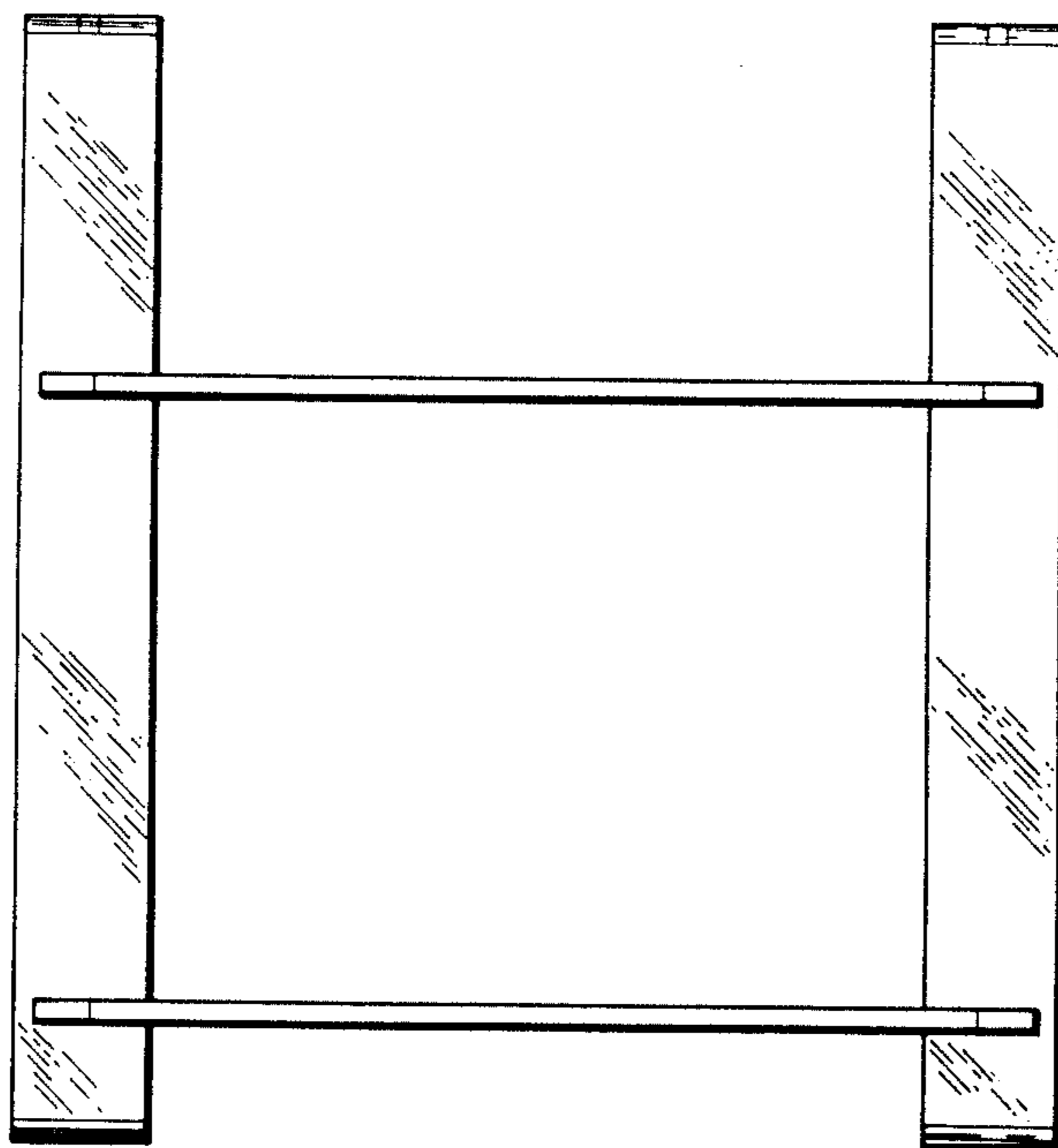


FIG. 3

FIG. 4

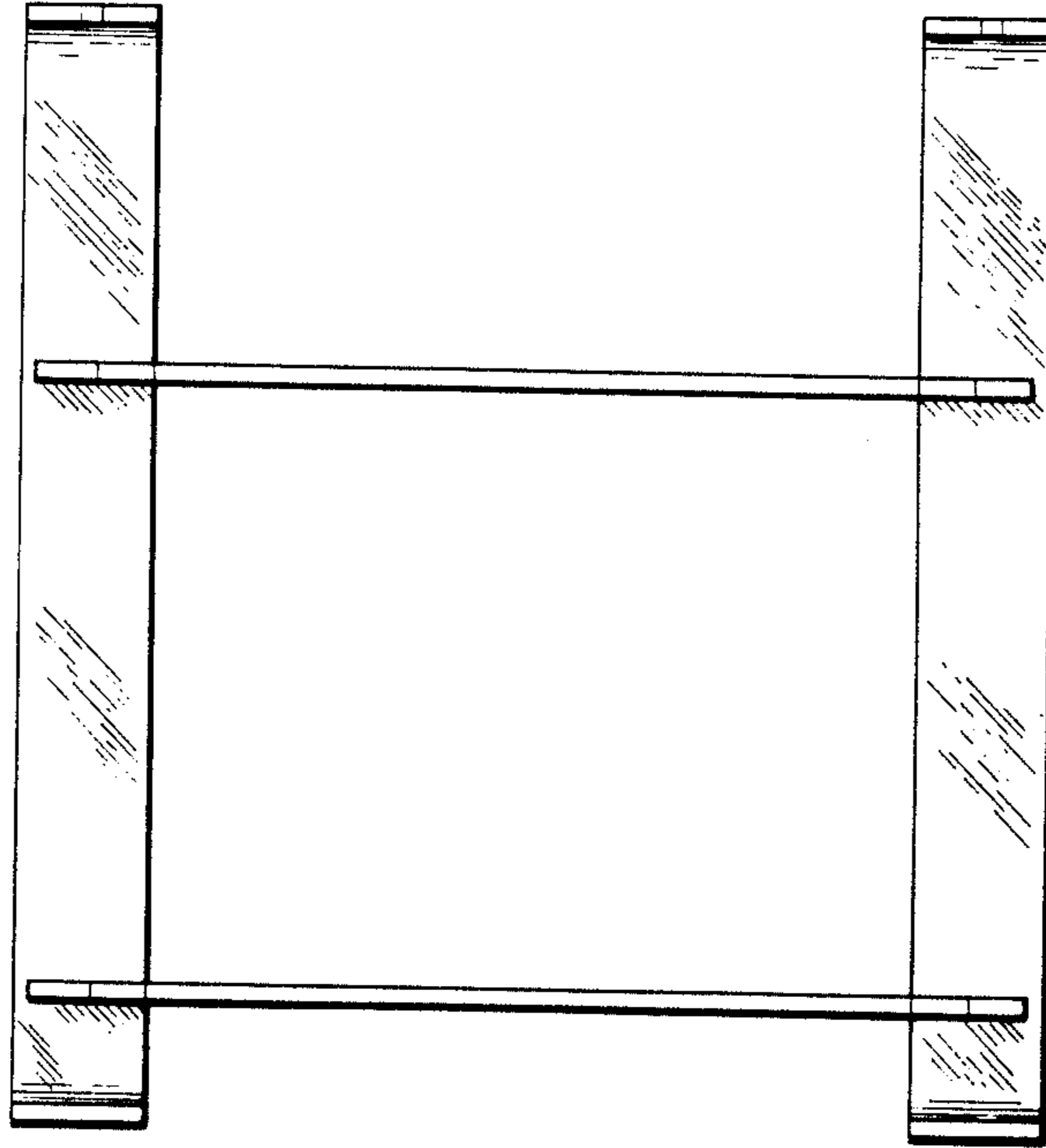


FIG. 5

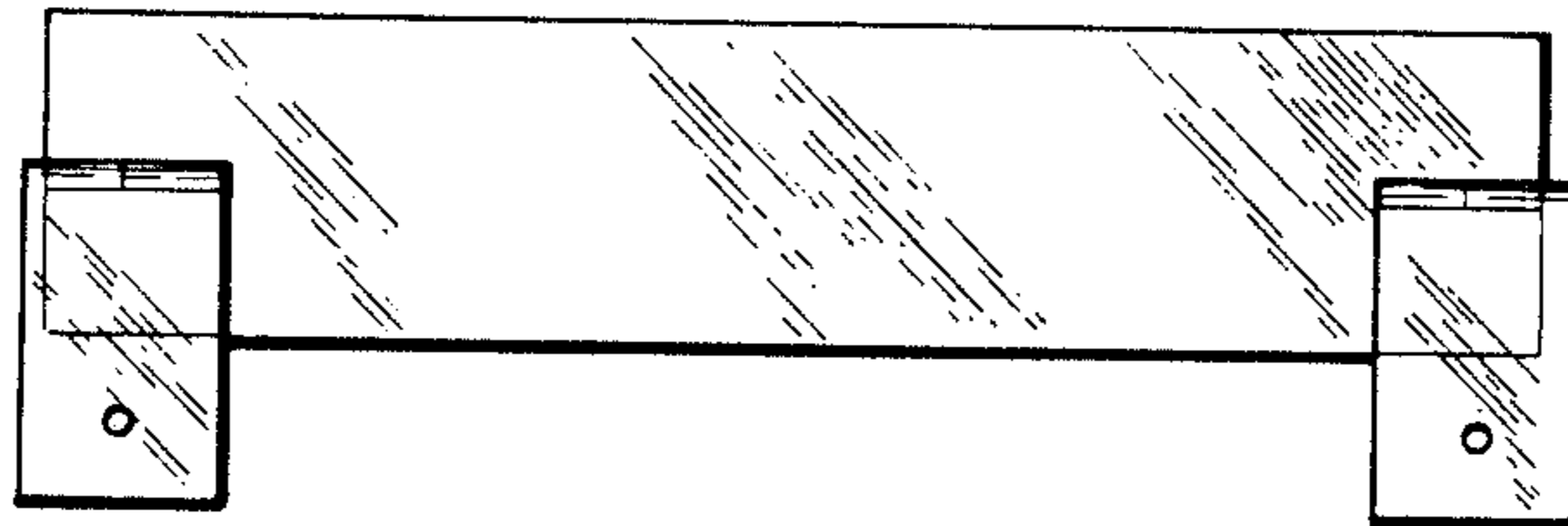


FIG. 6

