

[54] HAMBURGER ROLL

[76] Inventor: Albert C. Bangert, 162 Oak Manor Dr., York, Pa. 17403

[**] Term: 14 Years

[21] Appl. No.: 647,632

[22] Filed: Jan. 8, 1976

[51] Int. Cl. D1-01

[52] U.S. Cl. D1/24

[58] Field of Search 426/94, 95, 138; D1/1-24

[56] References Cited

U.S. PATENT DOCUMENTS

D. 234,275 2/1975 Koscoff D1/24 X
3,794,455 2/1974 Heiderpriem D1/24 X

OTHER PUBLICATIONS

Bridgford Foods Corp. flyer received Mar. 19, 1973, Buttermilk Biscuits. Institutions Volume Feeding, Feb. 1974, p. 28, Hamburger Bun.

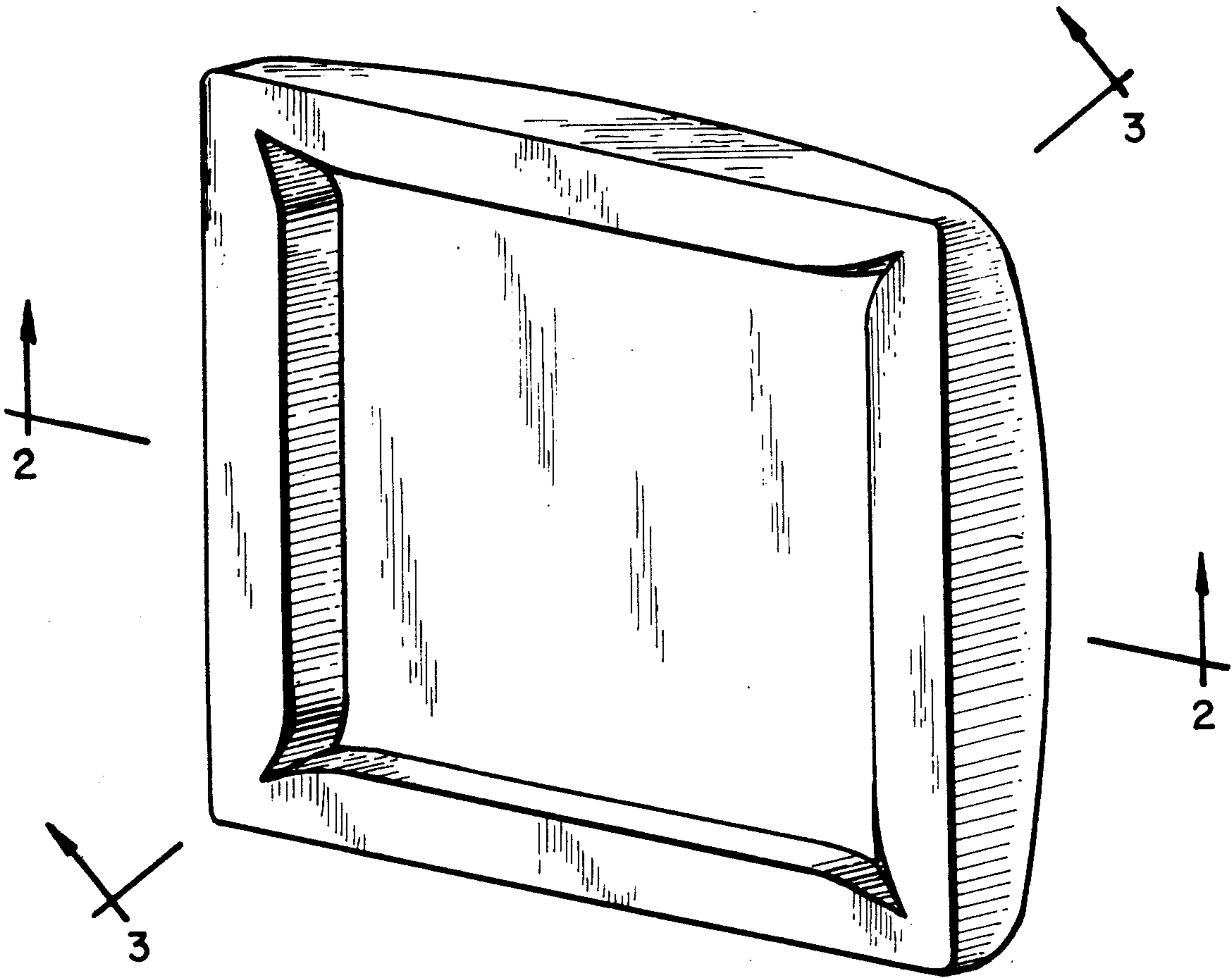
Primary Examiner—Robert C. Spangler
Attorney, Agent, or Firm—C. Hercus Just

[57] CLAIM

The ornamental design for a hamburger roll, substantially as shown and described.

DESCRIPTION

FIG. 1 is a perspective view of a roll showing my new design;
FIG. 2 is a sectional view taken on the line 2—2 of FIG. 1;
FIG. 3 is a sectional view taken on the line 3—3 of FIG. 1 on a reduced scale; and
FIG. 4 is a top plan view of my new design on a reduced scale.



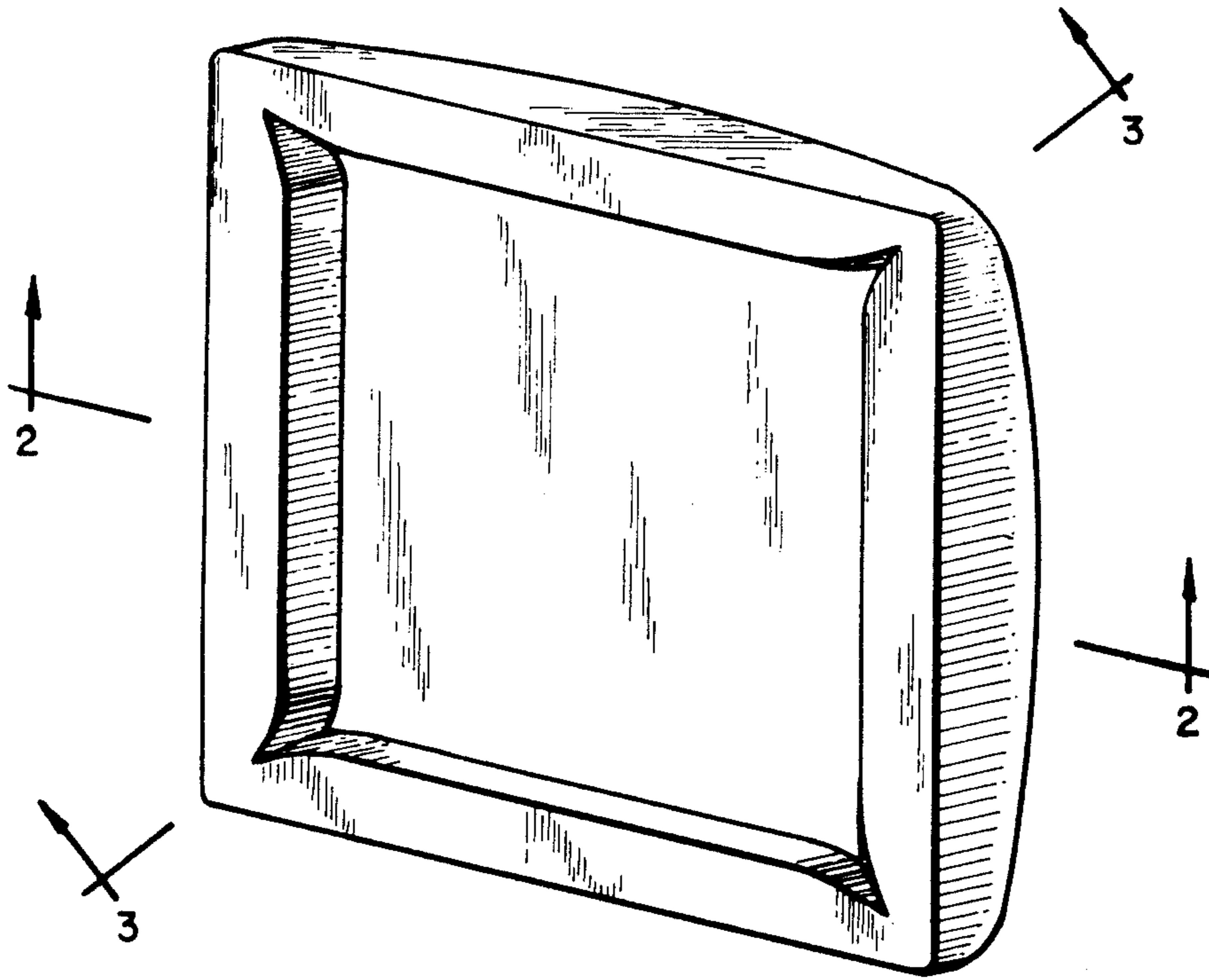


FIG. 1

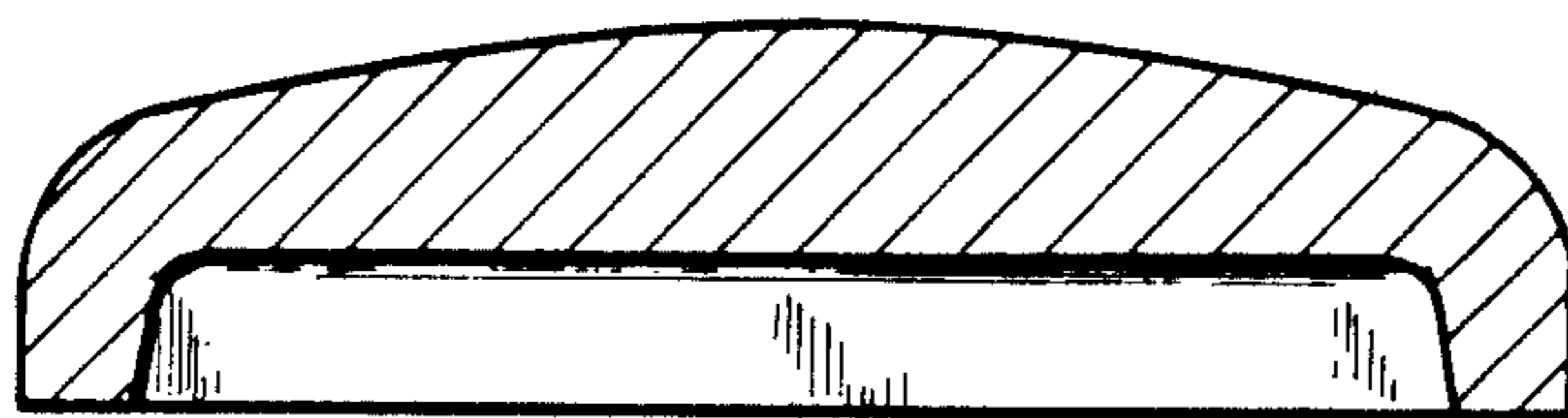


FIG. 2

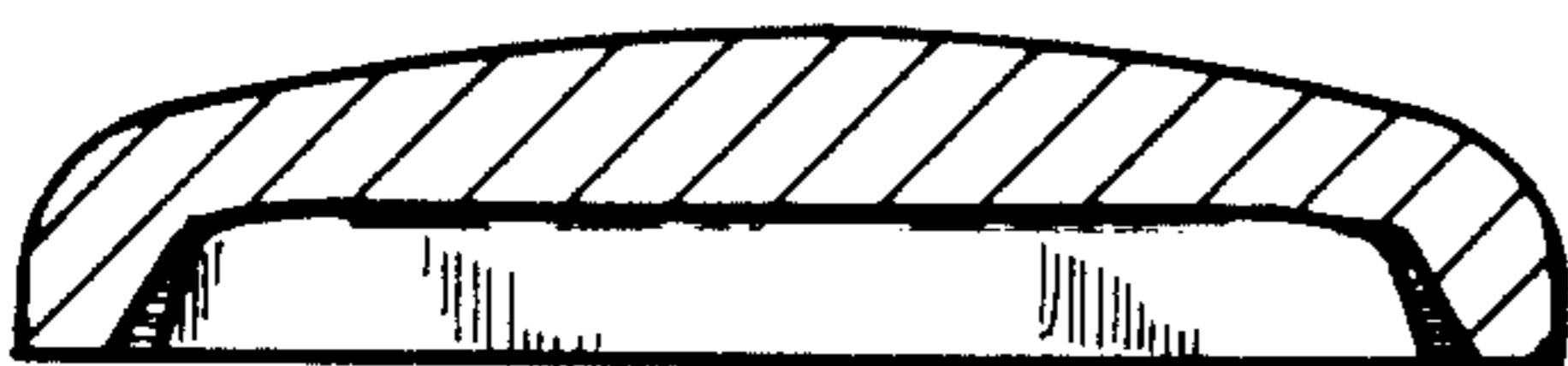


FIG. 3

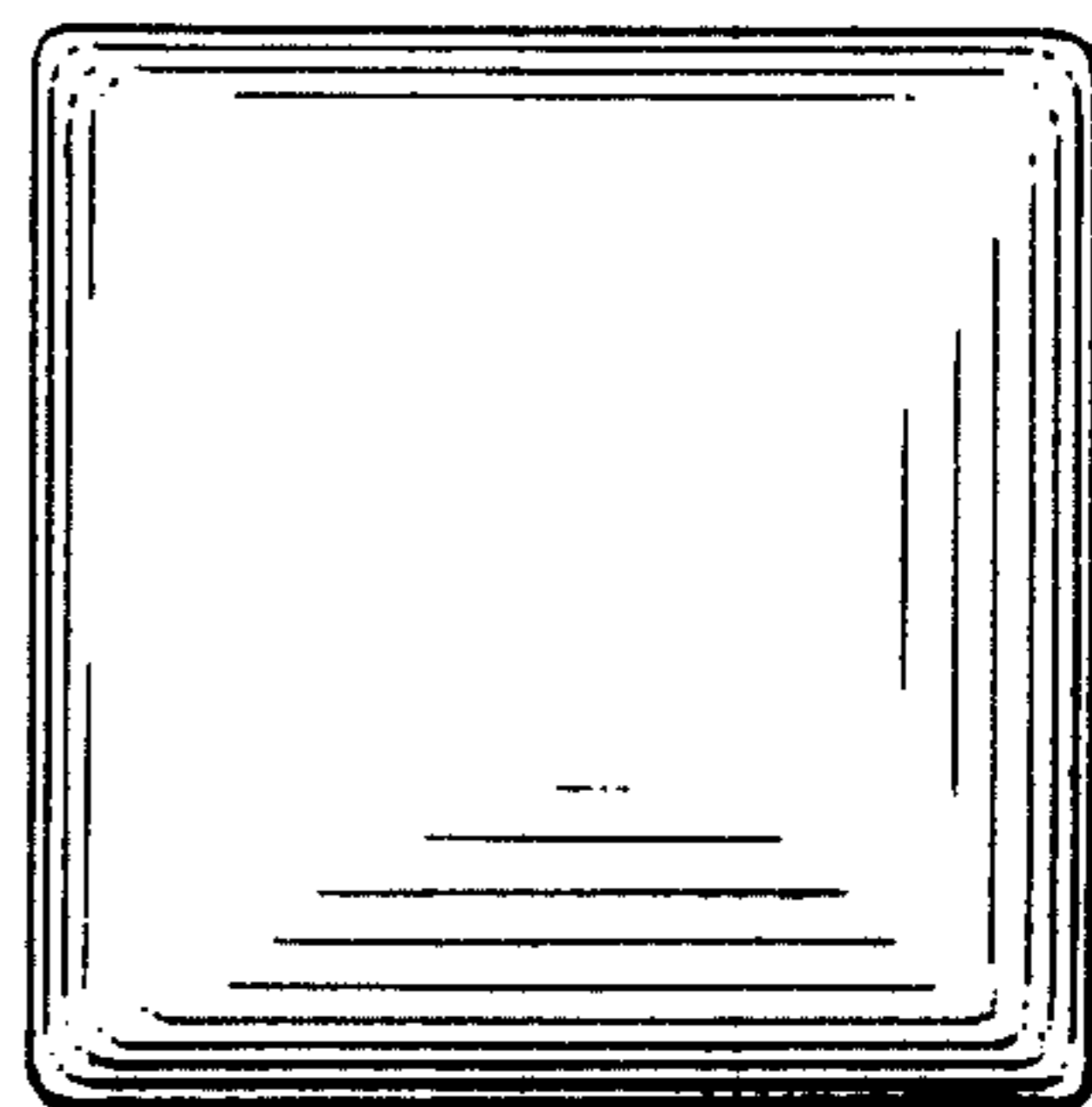


FIG. 4