

[54] **GOLF CLUB PUTTER HEAD**
[76] Inventor: **Herman D. Muehl**, 10851 Drury La.,
Lynwood, Calif. 90262
[**] Term: **14 Years**
[21] Appl. No.: **746,783**
[22] Filed: **Dec. 2, 1976**
[51] Int. Cl. **D21-02**
[52] U.S. Cl. **D34/5 GH**
[58] Field of Search **D34/5 GH, 5 GC;**
273/167-175, 163 R, 164

[56] **References Cited**
U.S. PATENT DOCUMENTS
D. 205,672 9/1966 Andis **D34/5 GH**
D. 209,760 1/1968 Andis **D34/5 GH**

D. 234,961 4/1975 Swash **D34/5 GH**
3,459,426 8/1969 Sherwood **D34/5 GS**

Primary Examiner—Melvin B. Feifer
Attorney, Agent, or Firm—Francis A. Utecht

[57] **CLAIM**

The ornamental design for a golf club putter head, substantially as shown.

DESCRIPTION

FIG. 1 is a perspective view of a golf club putter head showing my new design, as seen from the right front quarter,
FIG. 2 is a top plan view thereof;
FIG. 3 is a bottom plan view thereof;
FIG. 4 is a front elevational view thereof;
FIG. 5 is a rear elevational view thereof;
FIG. 6 is a left side elevational view thereof; and
FIG. 7 is a right side elevational view thereof.

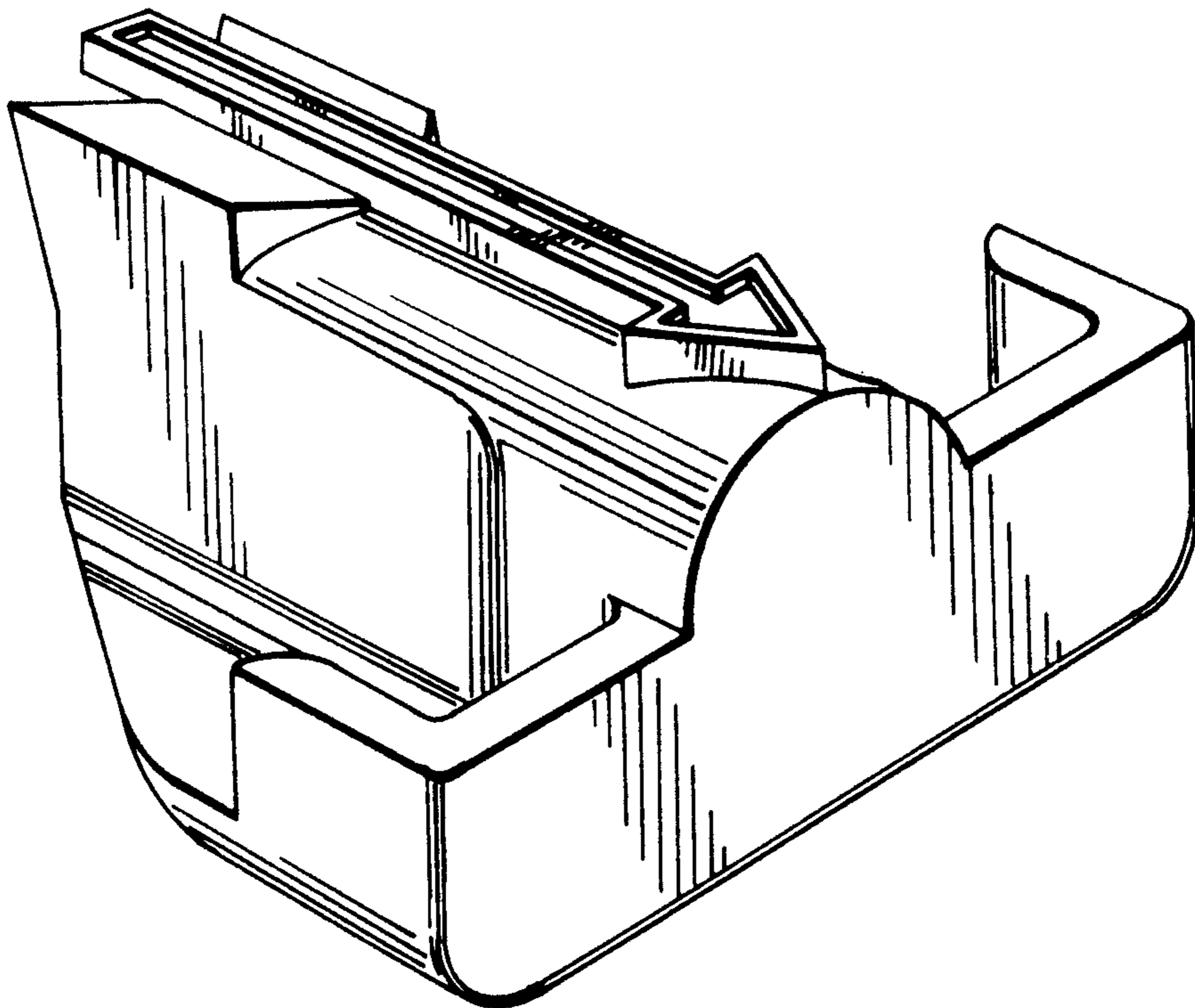


FIG. 1

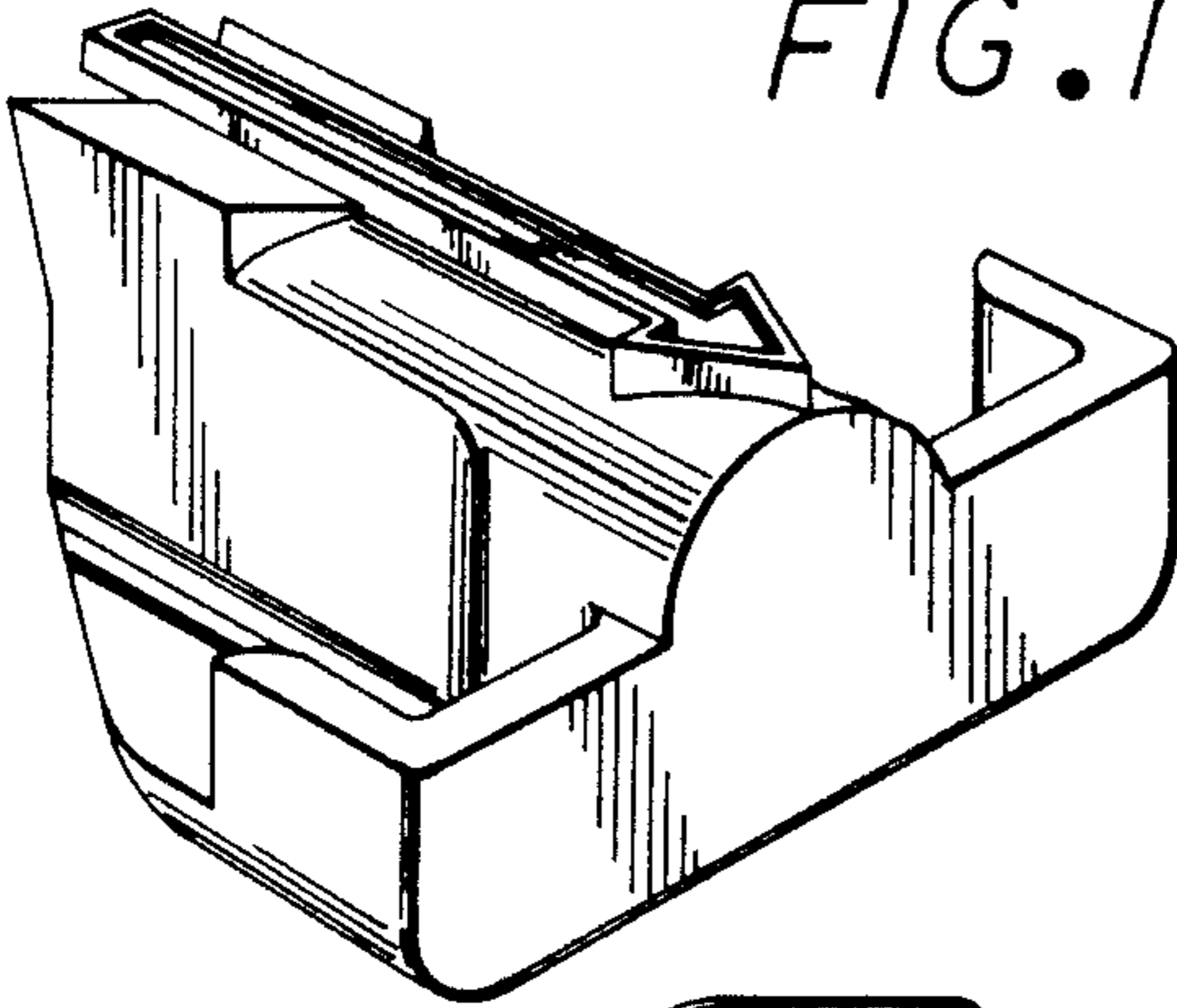


FIG. 2

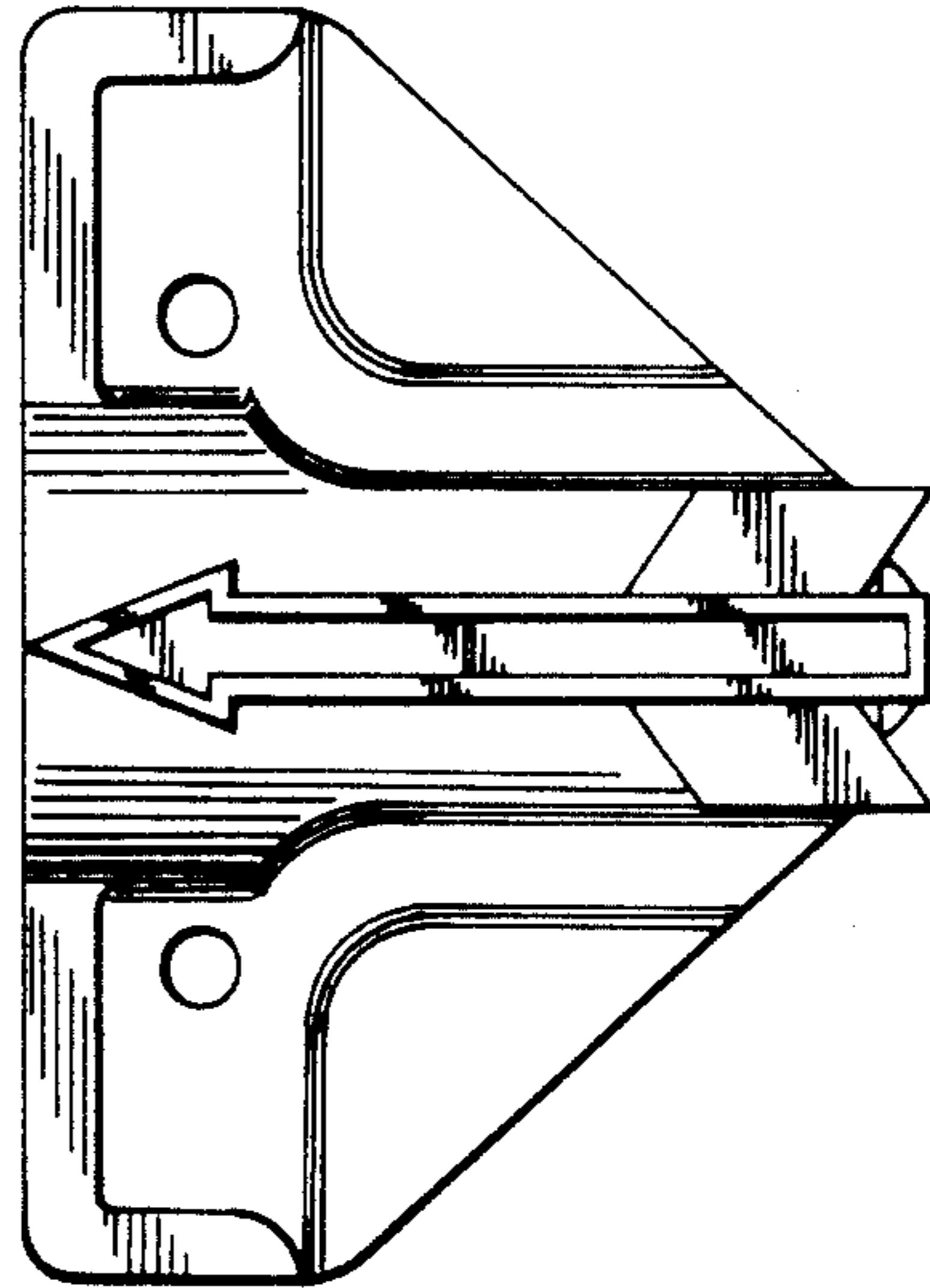


FIG. 3

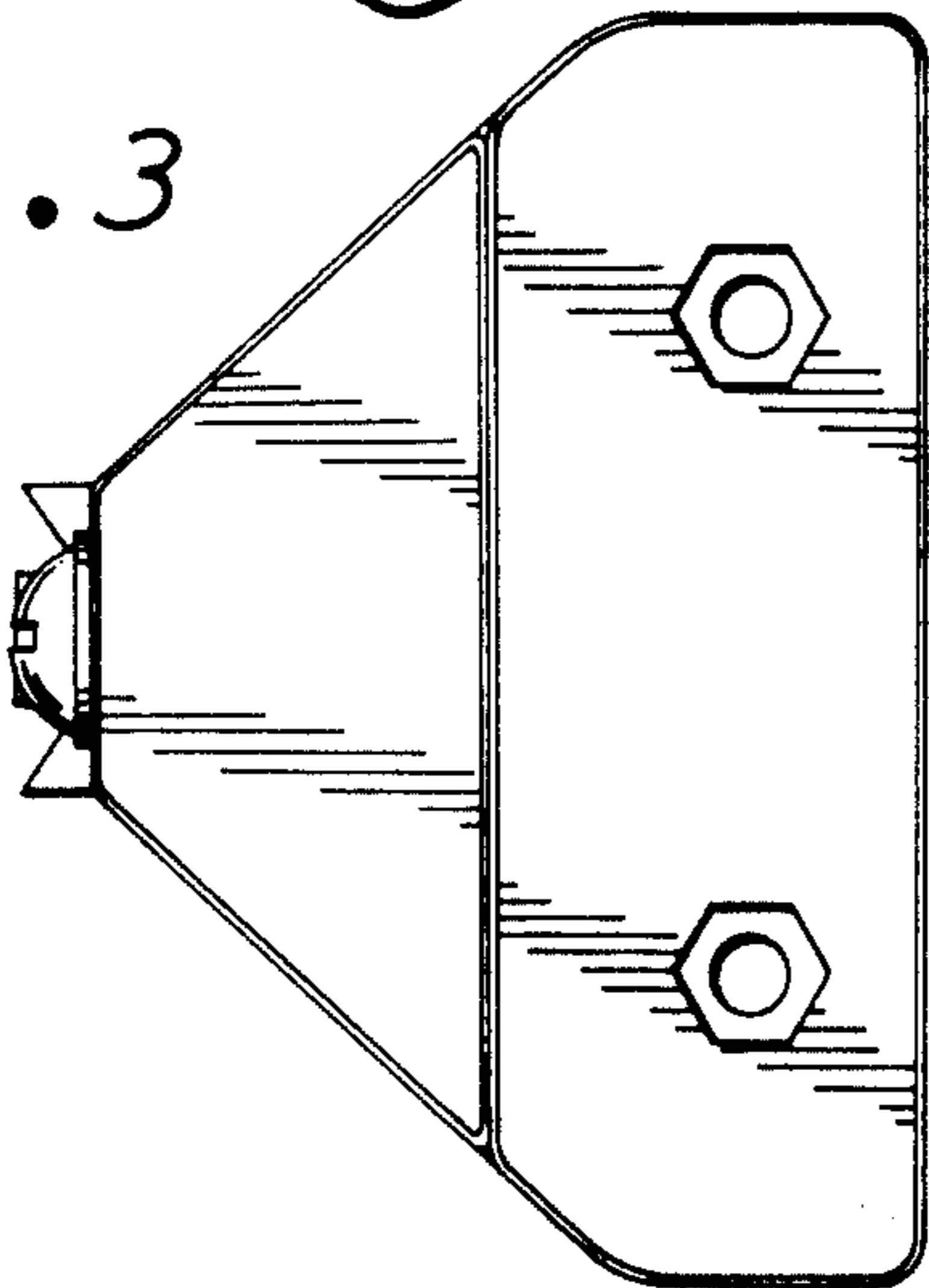


FIG. 6

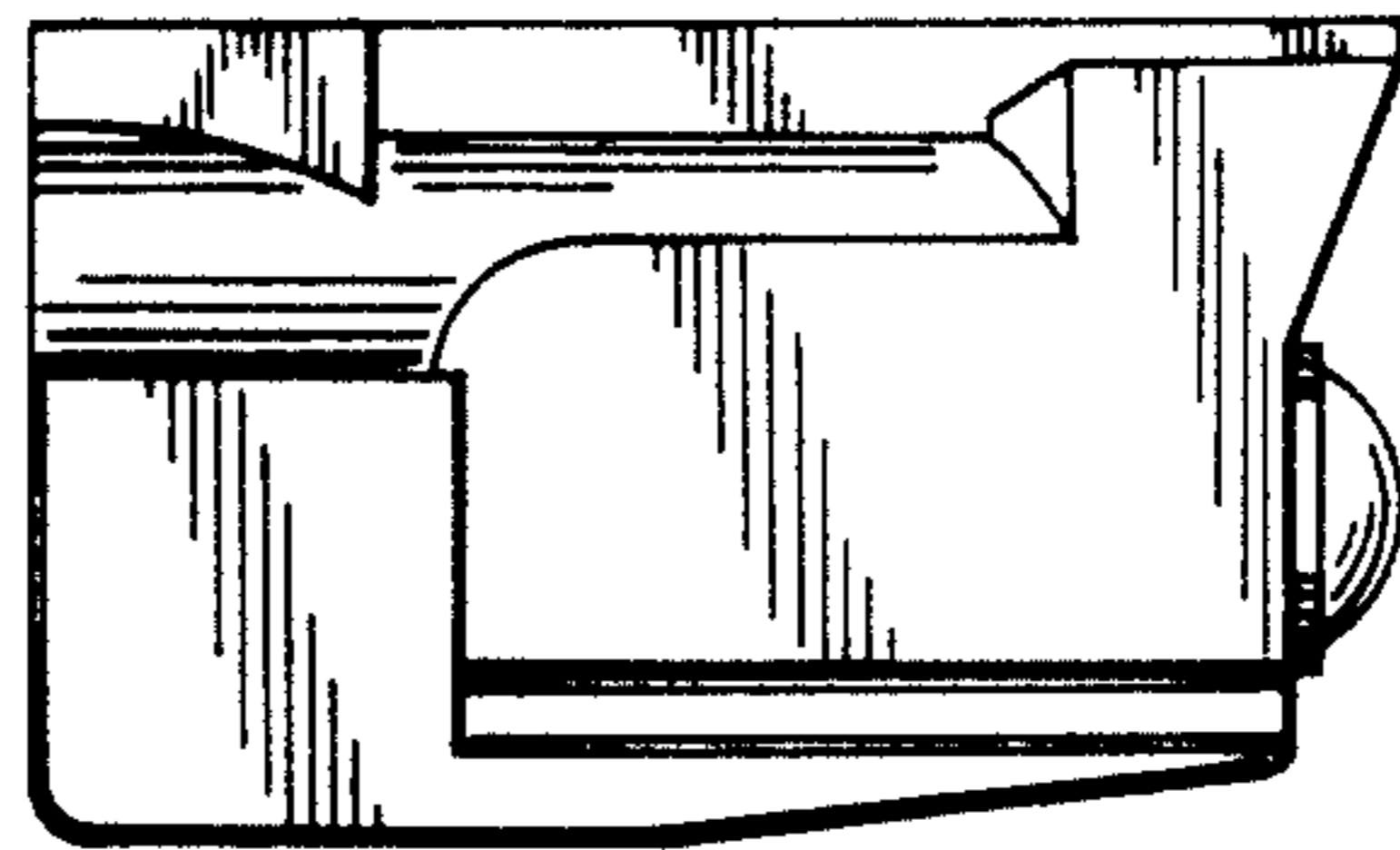


FIG. 4

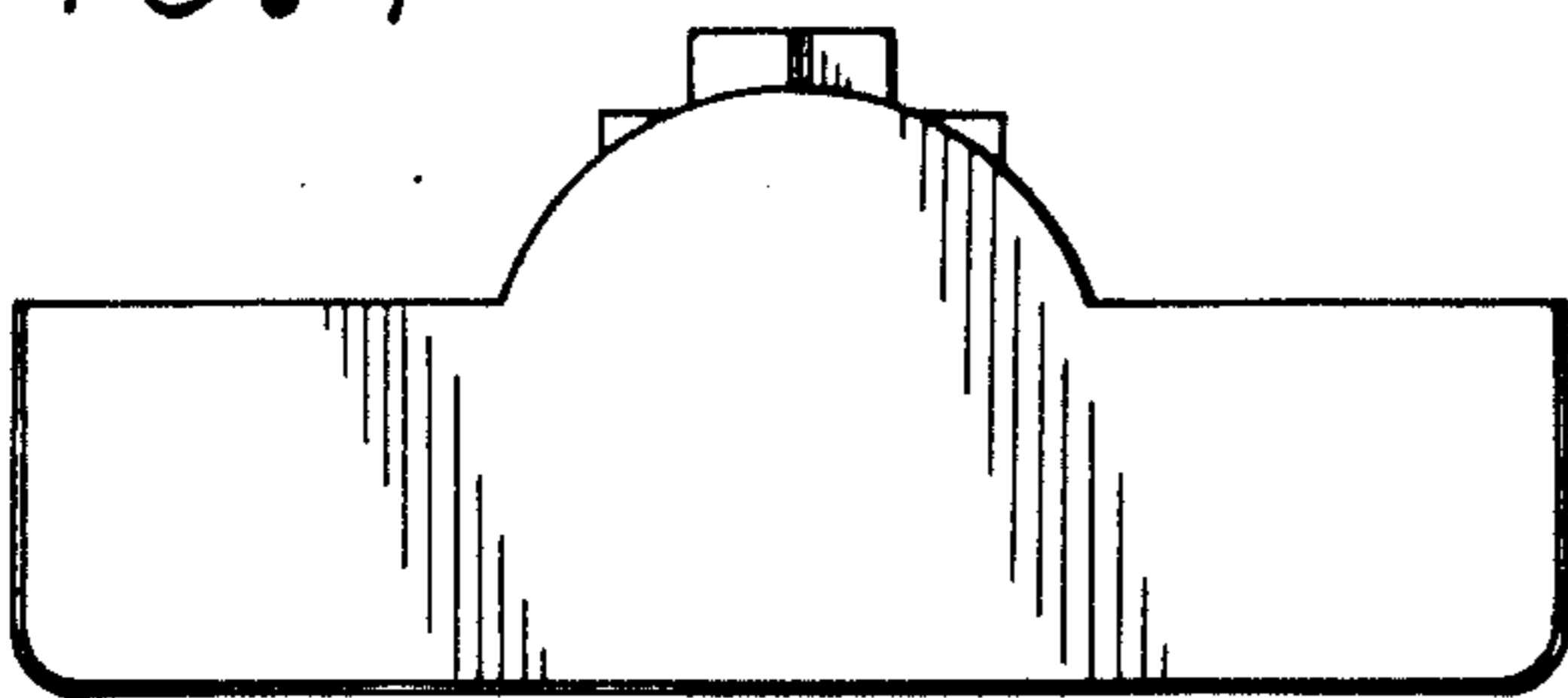


FIG. 7

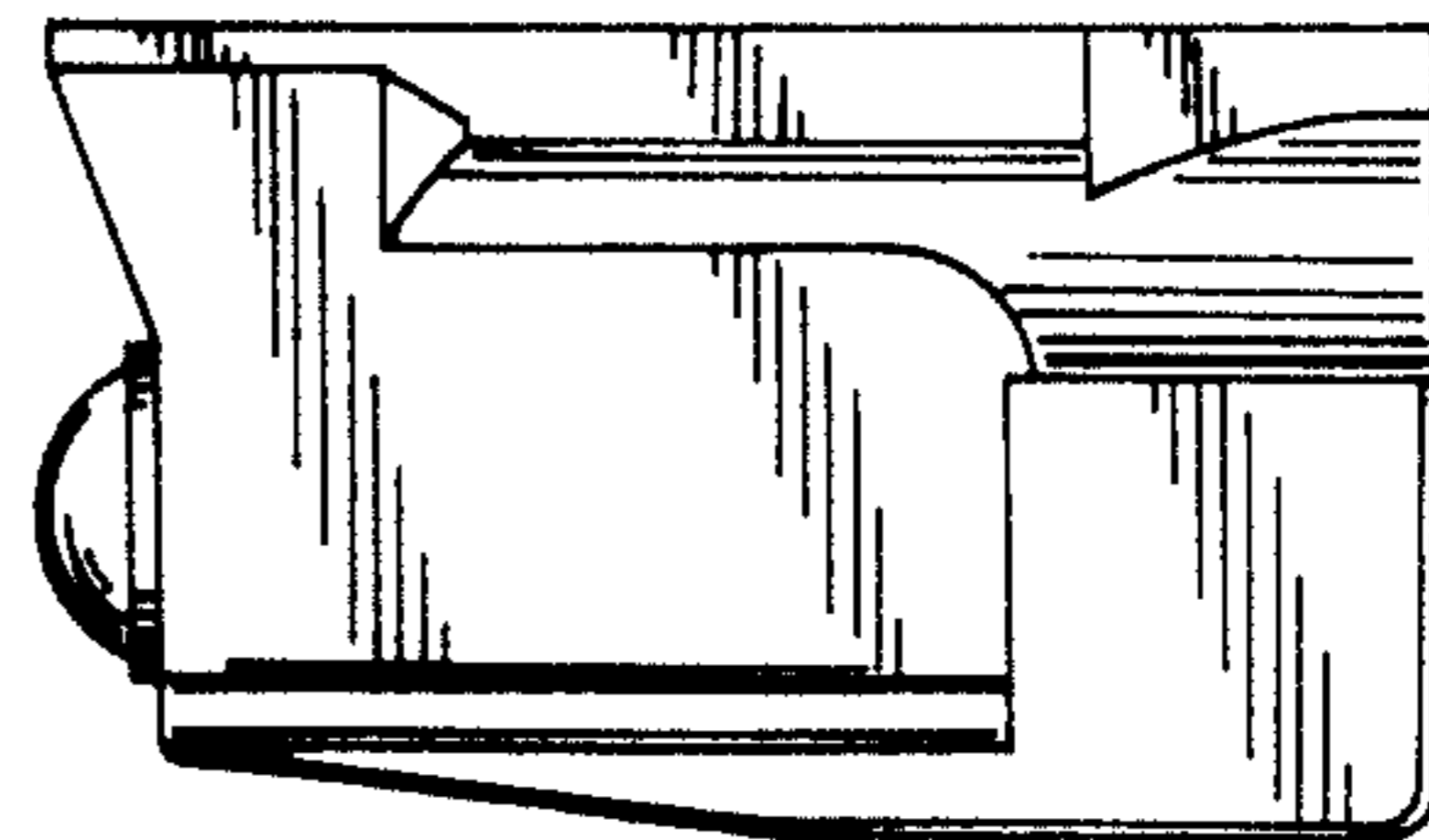


FIG. 5

