

[54] **SPRAYER WITH A SWINGABLE-NESTABLE NOZZLE**

[76] Inventor: **Tetsuya Tada**, 6-3, 2-chome, Kakinokizaka, Meguro-ku, Tokyo, Japan

[\*\*] Term: **14 Years**

[21] Appl. No.: **835,983**

[22] Filed: **Sep. 23, 1977**

[30] **Foreign Application Priority Data**

Jun. 23, 1977 Japan .....52-24088

[51] Int. Cl. .... **D24-05**

[52] U.S. Cl. .... **D24/99; D24/63; D9/4**

[58] Field of Search ..... **D9/4, 5, 6; D24/62, D24/63; 128/173 R; 222/402.1, 402.2, 402.11, 402.12**

[56]

**References Cited**

**U.S. PATENT DOCUMENTS**

D. 197,536	2/1964	Brainard et al. ....	D24/63 X
D. 220,805	5/1971	Ryden .....	D24/99
3,456,645	7/1969	Brock .....	128/173 R
3,622,053	11/1971	Ryden .....	128/173 R
3,865,279	2/1975	James .....	128/173 R

*Primary Examiner*—Bernard Ansher  
*Attorney, Agent, or Firm*—Robert D. Flynn

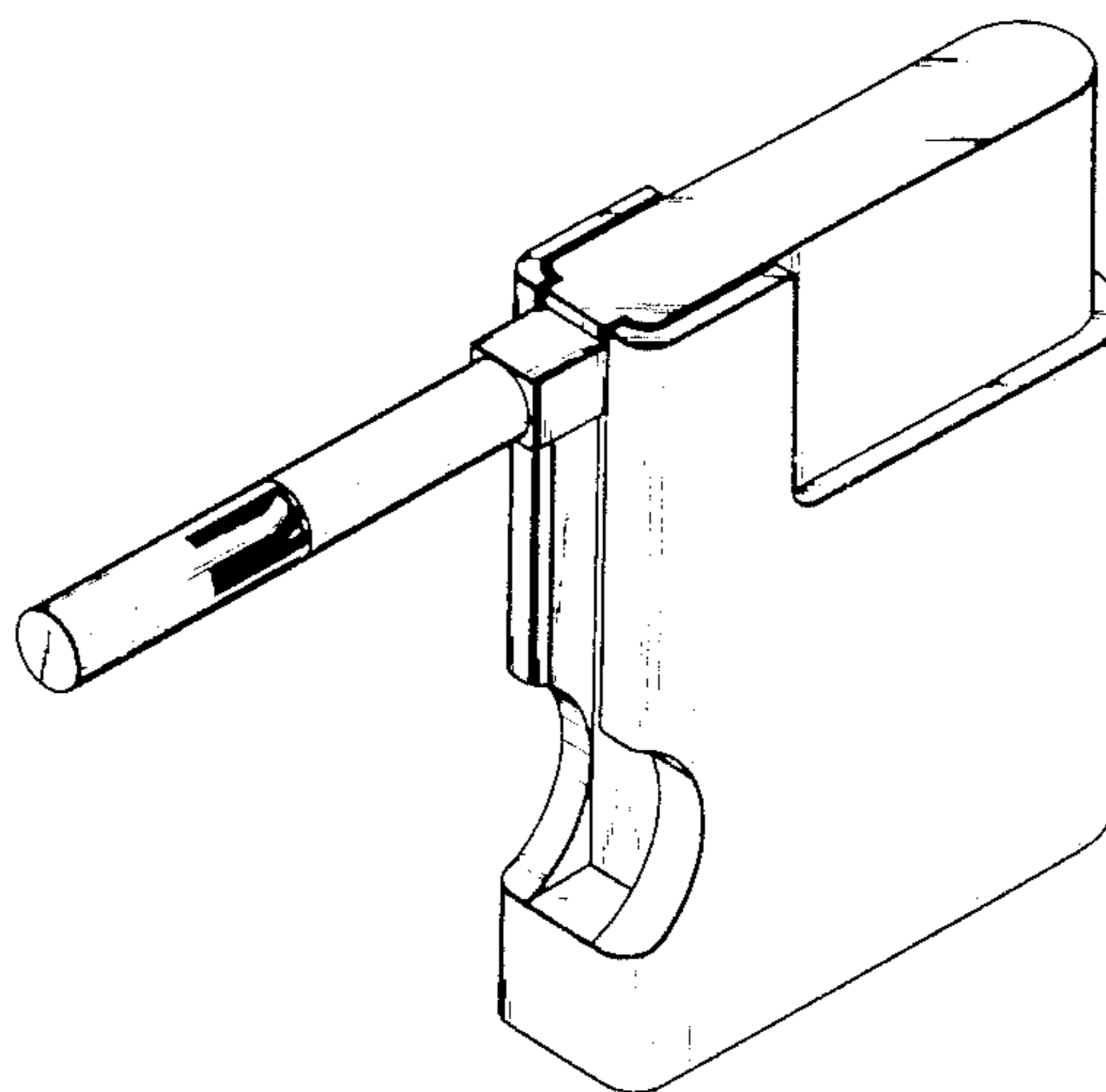
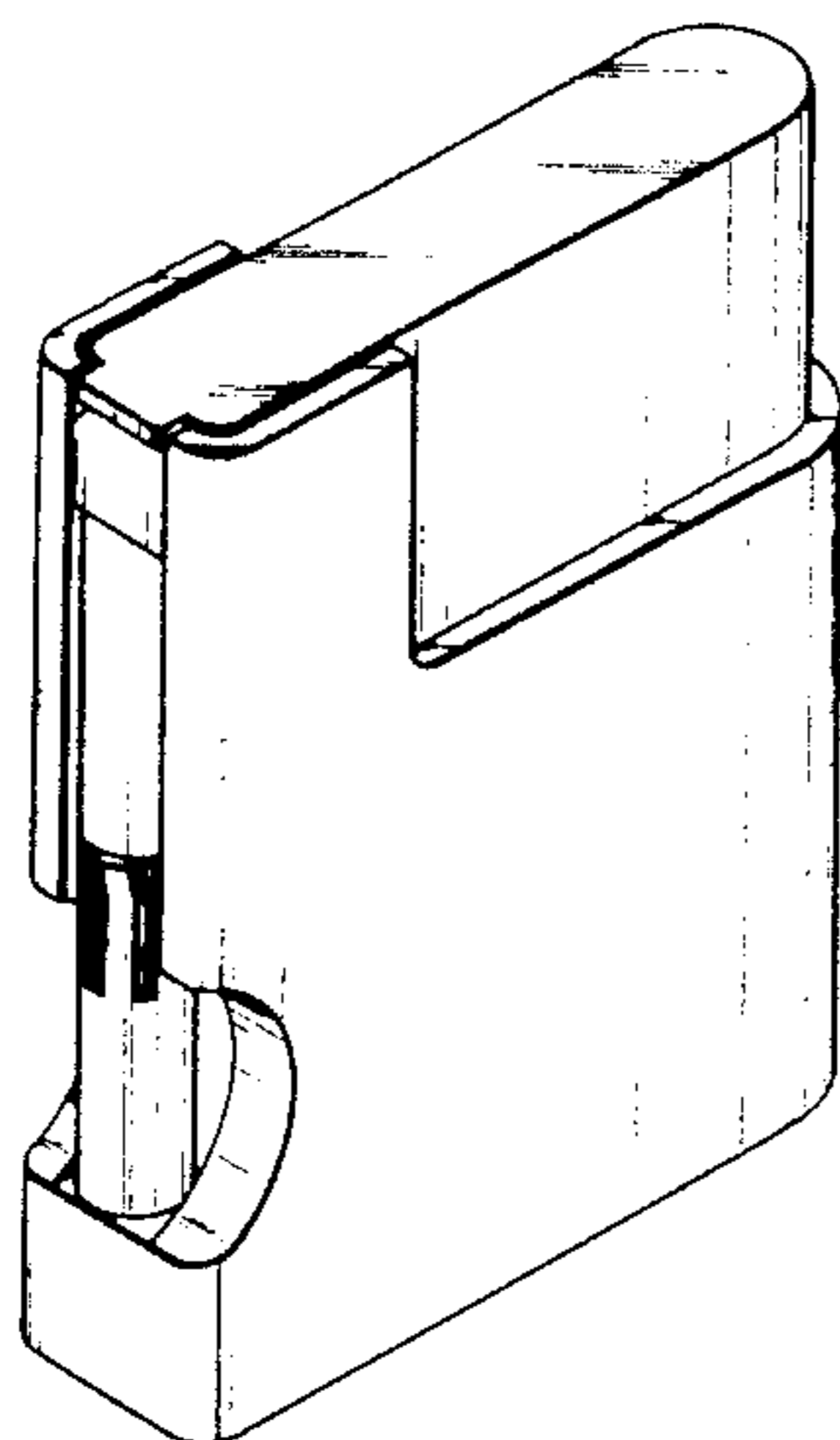
[57]

**CLAIM**

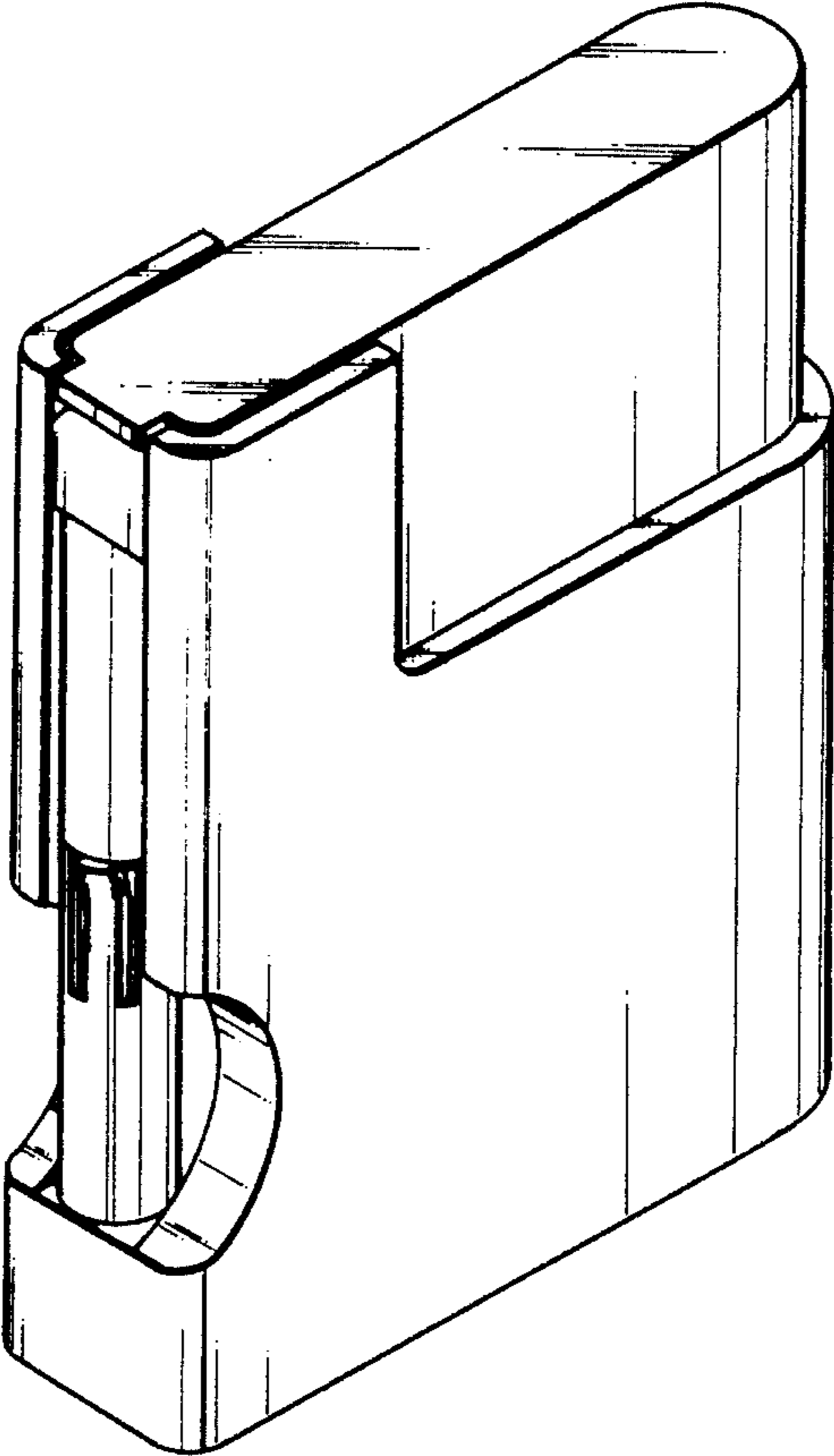
The ornamental design for sprayer with a swingable-nestable nozzle, substantially as shown and described.

**DESCRIPTION**

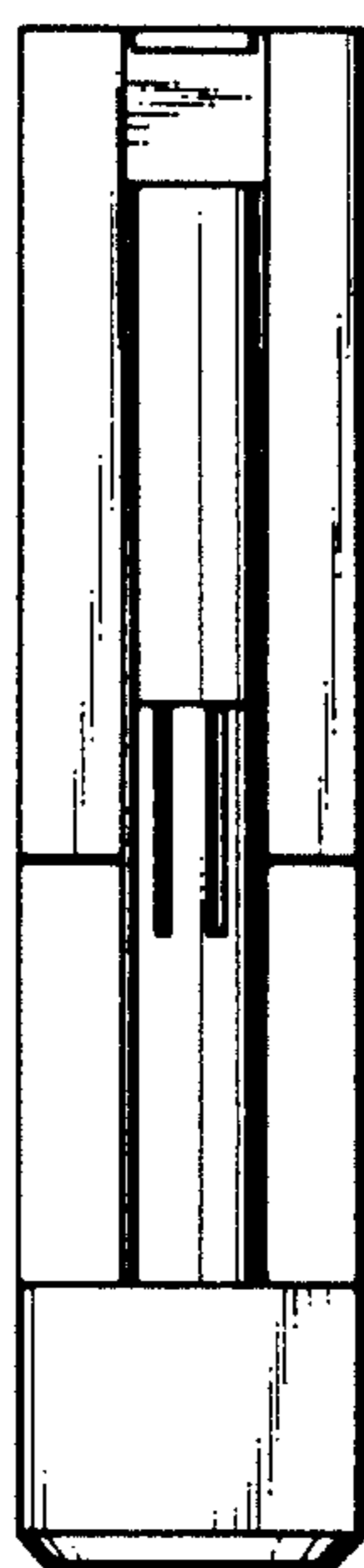
FIG. 1 is a perspective view of a sprayer with a swingable-nestable nozzle in the nested position or similar article showing my design, the left side view of the sprayer being symmetrical with the right side view; FIG. 2 is a front elevation view thereof; FIG. 3 is a rear elevation view thereof; FIG. 4 is a bottom plan view thereof; FIG. 5 is a perspective view thereof in which the nozzle is swung outward; and FIG. 6 is an exploded perspective view thereof, which is in a depressed condition.



F I G. 1



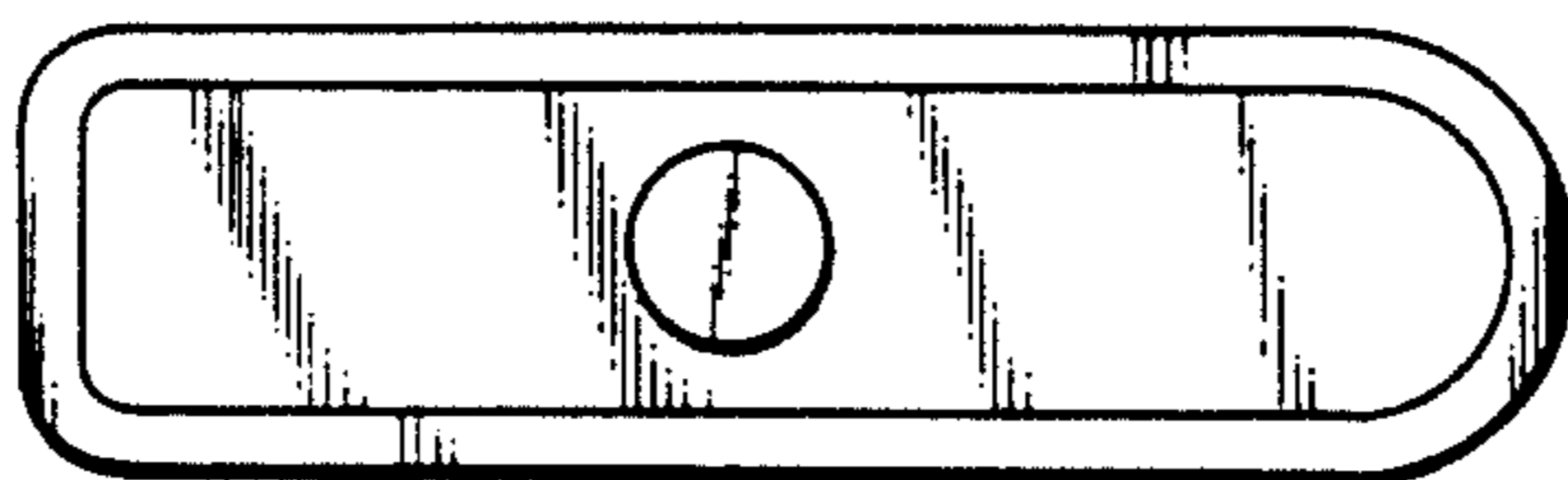
F I G. 2



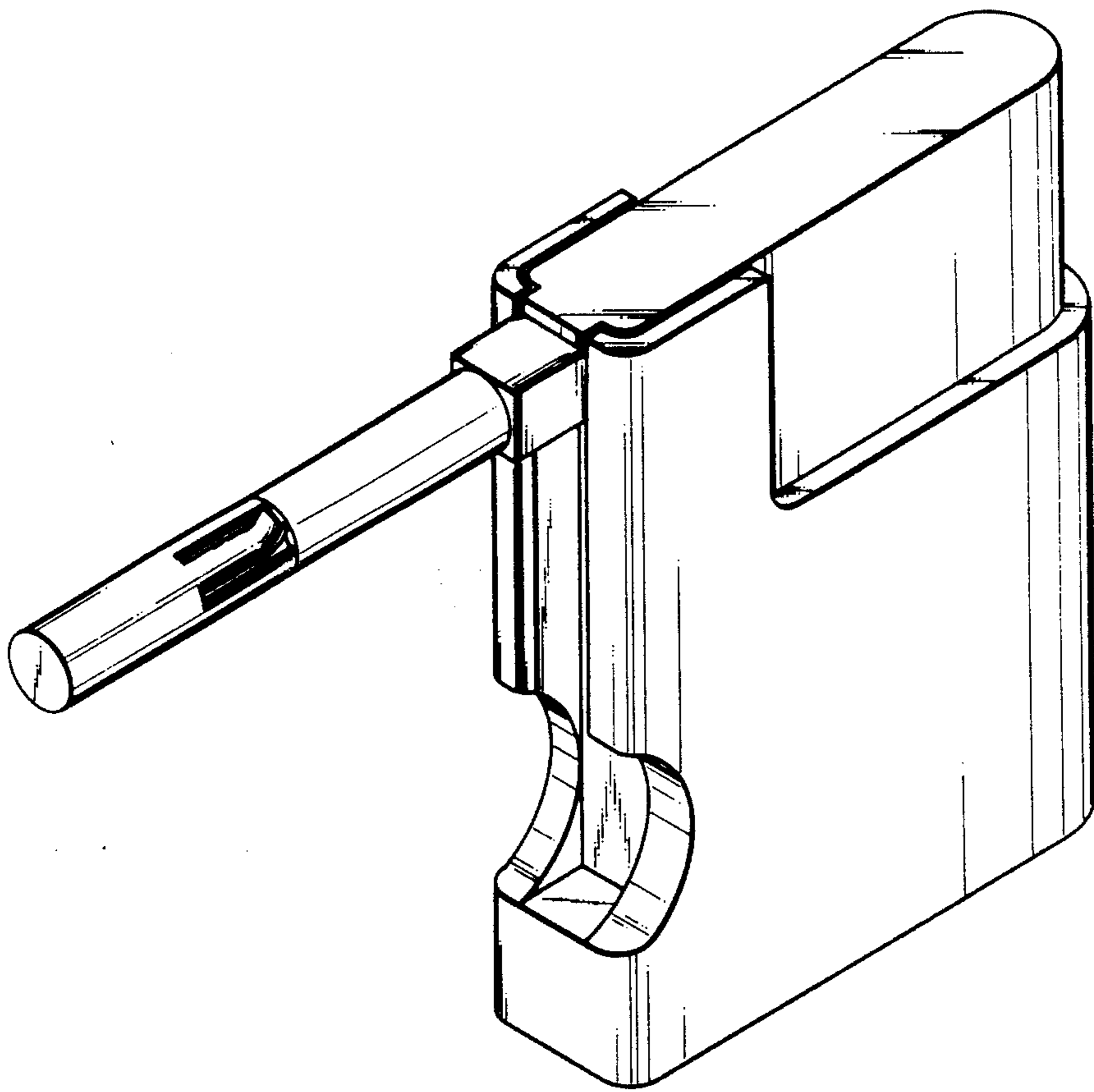
F I G. 3



F I G. 4



F I G. 5



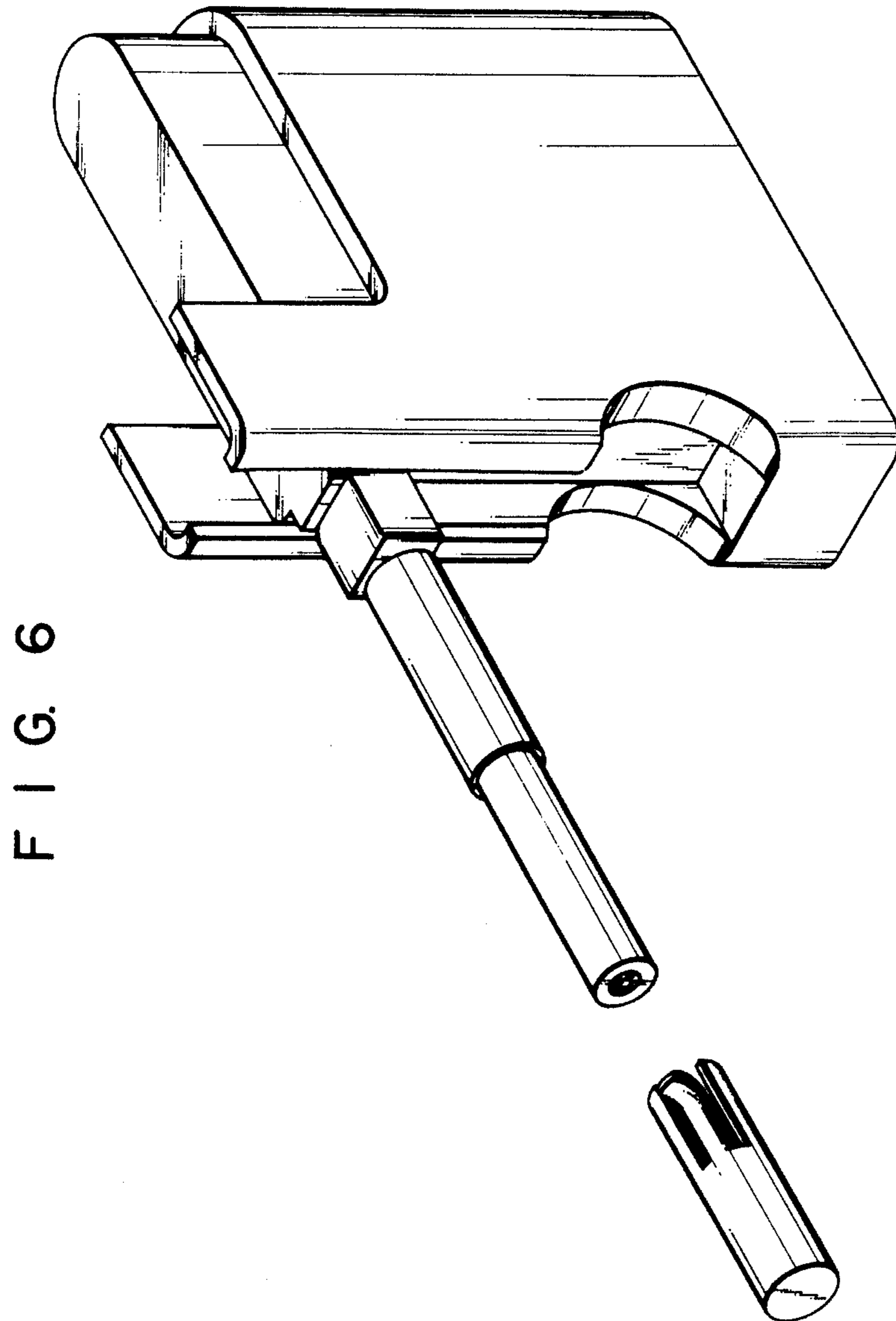


FIG. 6