

[54] COMBINED SOLAR ENERGY COLLECTOR AND SKYLIGHT

1,014,972 1/1912 Nichols D23/72 X
1,042,418 10/1912 Evans D23/72 X

[76] Inventor: Paul L. Ouelette, 130 Huntcliff Point, Atlanta, Ga. 30338

Primary Examiner—James R. Largen
Attorney, Agent, or Firm—Robert B. Kennedy

[**] Term: 14 Years

[57] CLAIM

[21] Appl. No.: 698,197

The ornamental design for a combined solar energy collector and skylight, substantially as shown and described.

[22] Filed: Jun. 21, 1976

DESCRIPTION

[51] Int. Cl. D23—03

[52] U.S. Cl. D23/73; D23/127; D25/56; D25/92

[58] Field of Search D25/47, 52, 56, 92, D25/93, 94; D23/72, 127; D48/16 A, 16 C; 126/271; 237/1 A

FIG. 1 is a top perspective view of a combined solar energy collector and skylight showing my new design; FIG. 2 is a top plan view thereof;

FIG. 3 is a front elevational view thereof, the rear being the same as the front shown except for the connecting tube; and

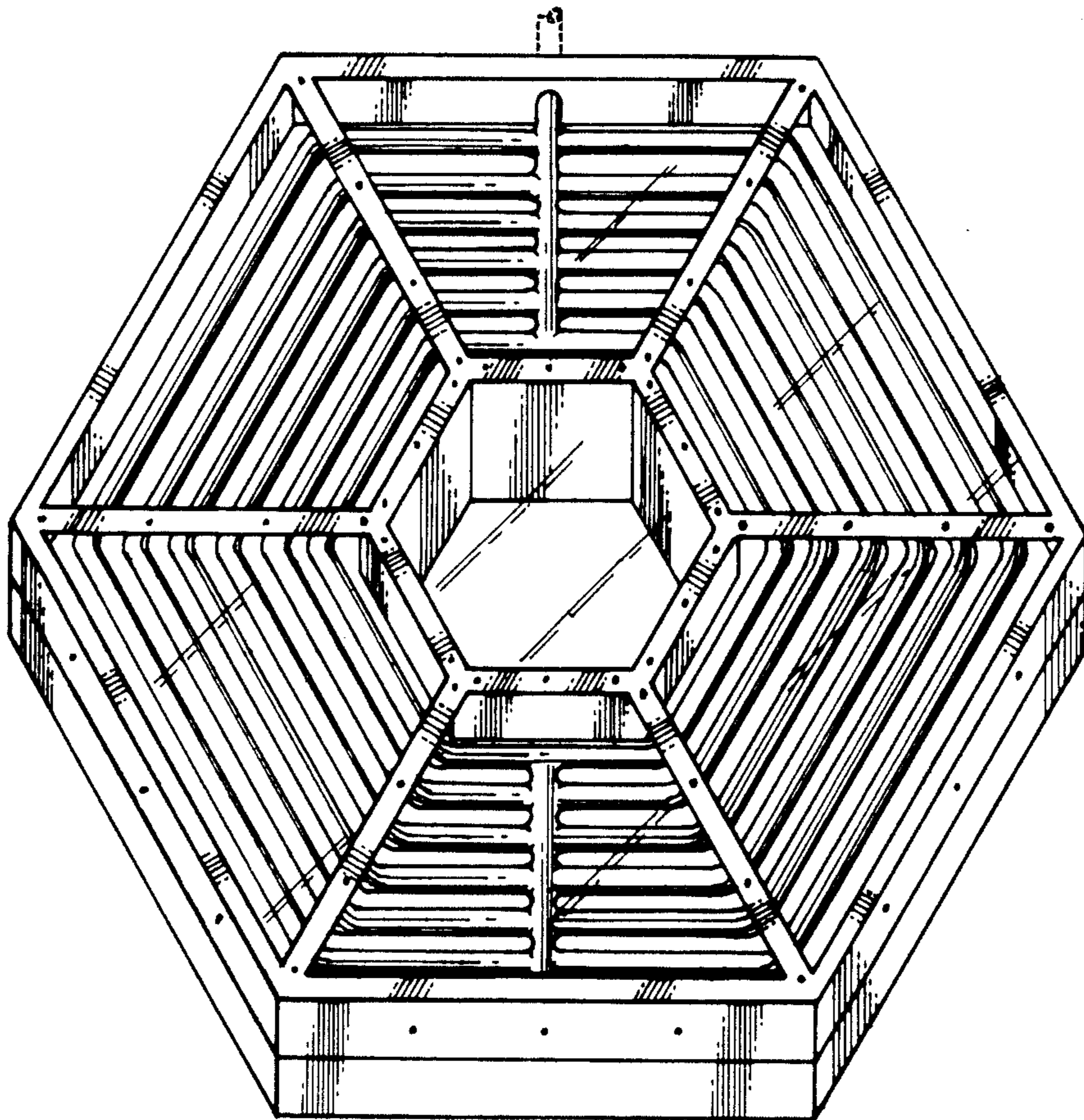
FIG. 4 is a side elevational view thereof, the opposite side being the same as the side shown.

The fragmentary broken line representation of a connecting tube in FIGS. 1 and 2 are for purposes of illustration only.

[56] References Cited

U.S. PATENT DOCUMENTS

D. 243,185 1/1977 Parker et al. D23/127
D. 244,606 6/1977 Riley D23/127



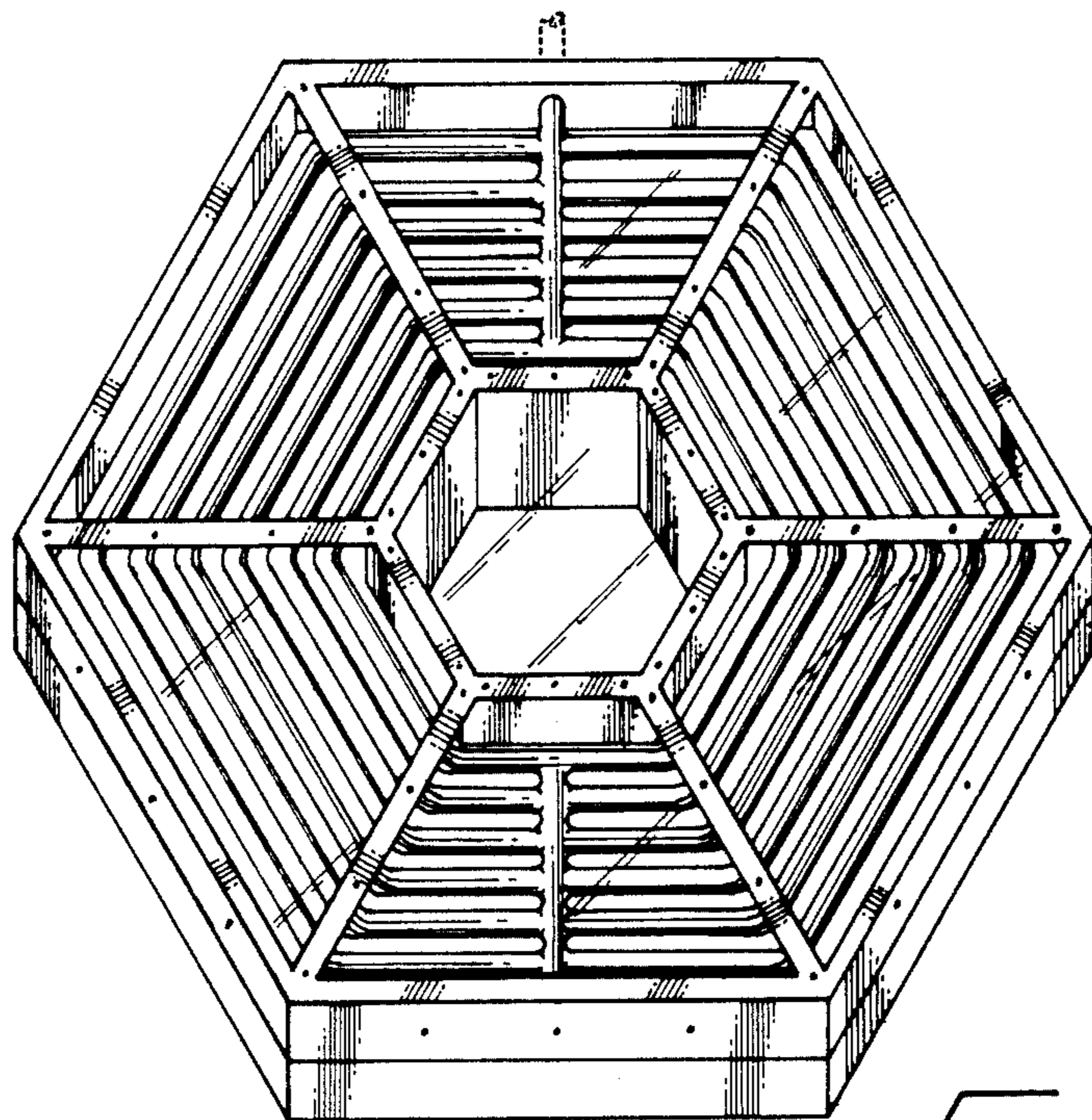


Fig 1

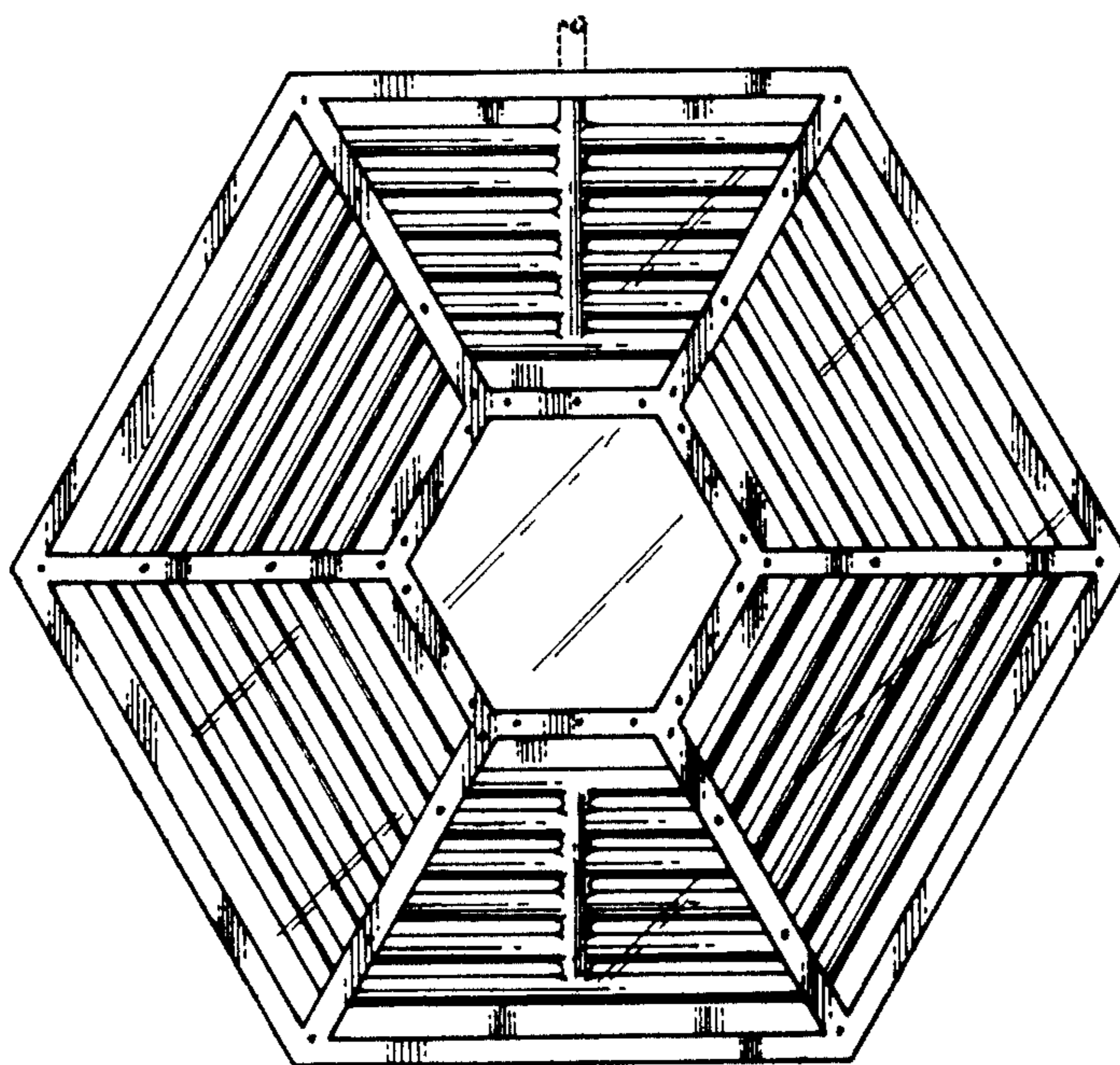


Fig 2

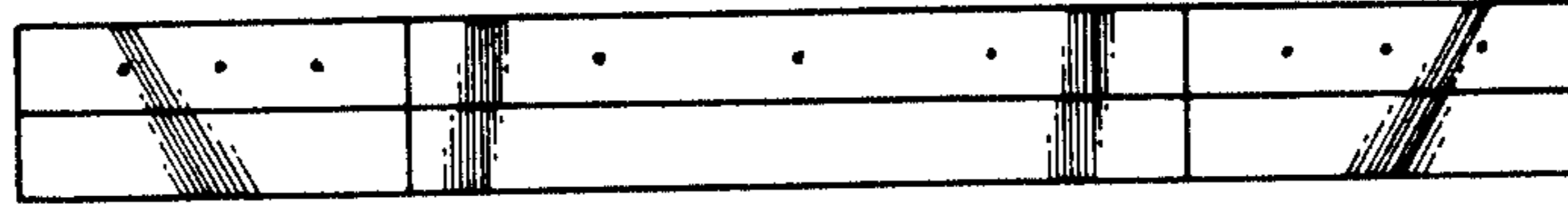


Fig 3

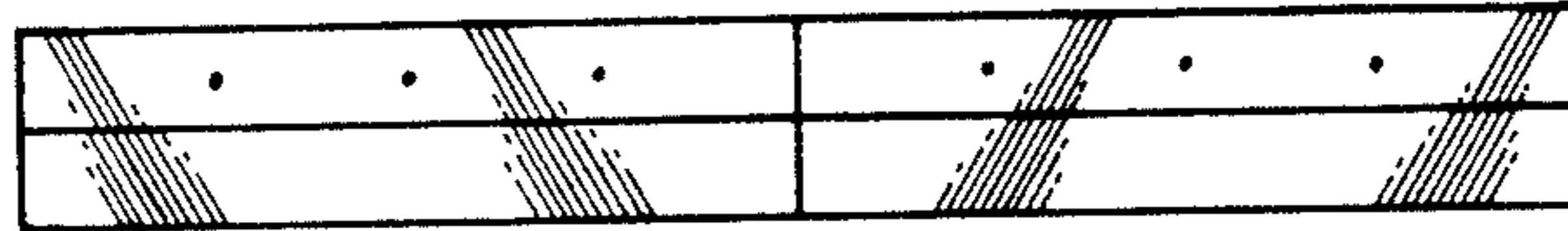


Fig 4