

[54] BICYCLE CHAIN GUARD

[75] Inventors: Keith E. Brightbill, Nashville; John D. Breen, Antioch; Richard D. Williams, Brentwood; Dennis C. Patterson, Nashville, all of Tenn.

[73] Assignee: The Murray Ohio Manufacturing Co., Brentwood, Tenn.

[\*\*] Term: 14 Years

[21] Appl. No.: 776,882

[22] Filed: Mar. 11, 1977

[51] Int. Cl. .... D12-11

[52] U.S. Cl. .... D12/127

[58] Field of Search ..... D12/127, 111; 74/611

[56] References Cited

U.S. PATENT DOCUMENTS

D. 213,162 1/1969 Goldmeier ..... D12/127

OTHER PUBLICATIONS

Skyway Bicycles Catalog, p. 3, Chain Guard on Bicycle, bottom left side of page.

American Bicyclist & Motorcyclist, 11/75, p. 40, Chain Guard on Bicycle, bottom of page.

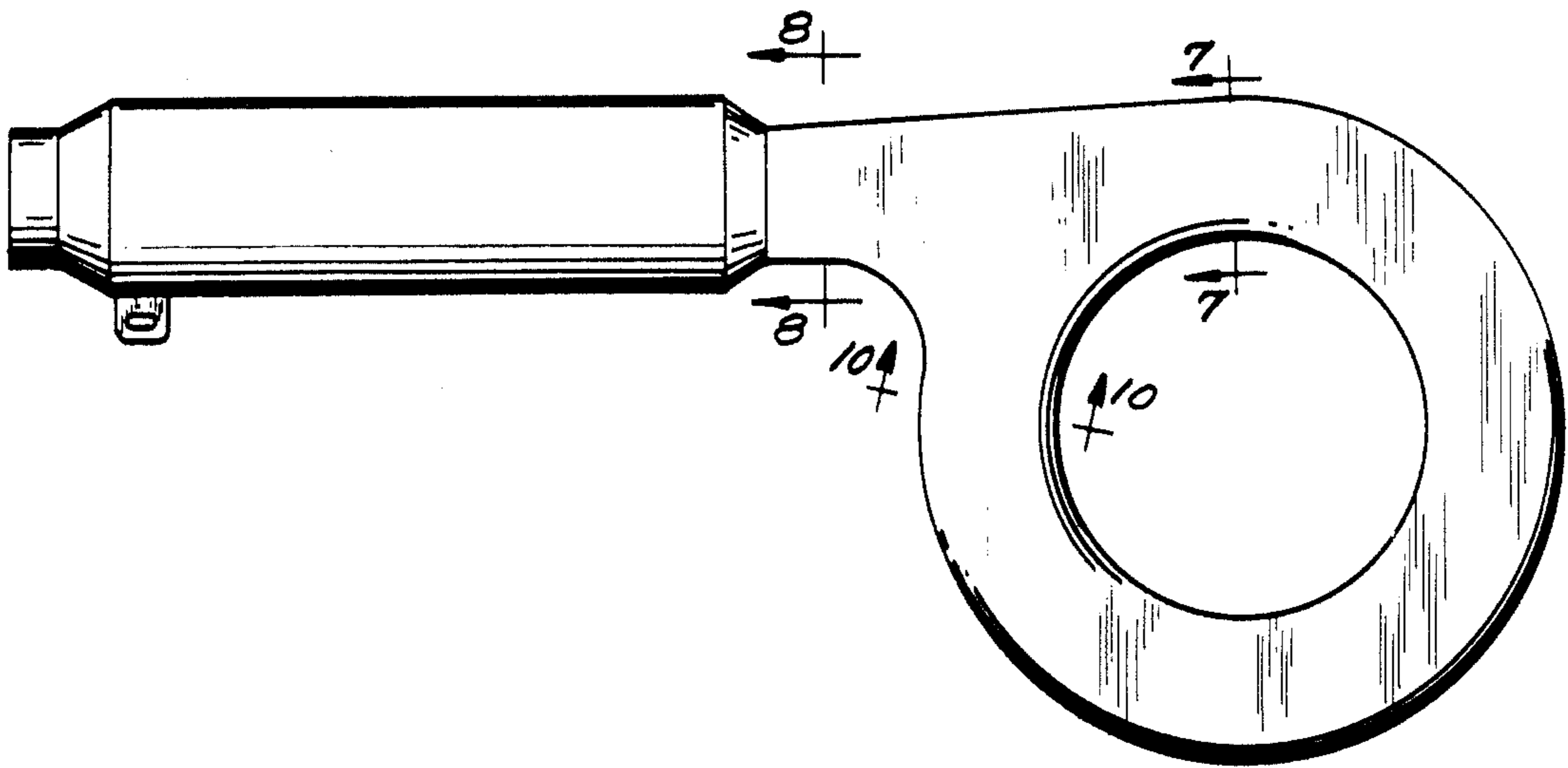
Primary Examiner—Wallace R. Burke  
Assistant Examiner—James M. Gandy  
Attorney, Agent, or Firm—John W. Malley

[57] CLAIM

The ornamental design for a bicycle chain guard, substantially as shown.

DESCRIPTION

FIG. 1 is a side elevational view of a bicycle chain guard showing our new design;  
FIG. 2 is a bottom plan view thereof;  
FIG. 3 is an elevational view taken from the side opposite that shown in FIG. 1;  
FIG. 4 is a top plan view thereof;  
FIG. 5 is a front elevational view thereof;  
FIG. 6 is a rear elevational view thereof;  
FIG. 7 is a sectional view taken along the lines 7—7 of FIG. 1;  
FIG. 8 is a sectional view taken along the lines 8—8 of FIG. 1;  
FIG. 9 is a sectional view taken along the lines 9—9 of FIG. 4; and  
FIG. 10 is a sectional view taken along the lines 10—10 of FIG. 1.



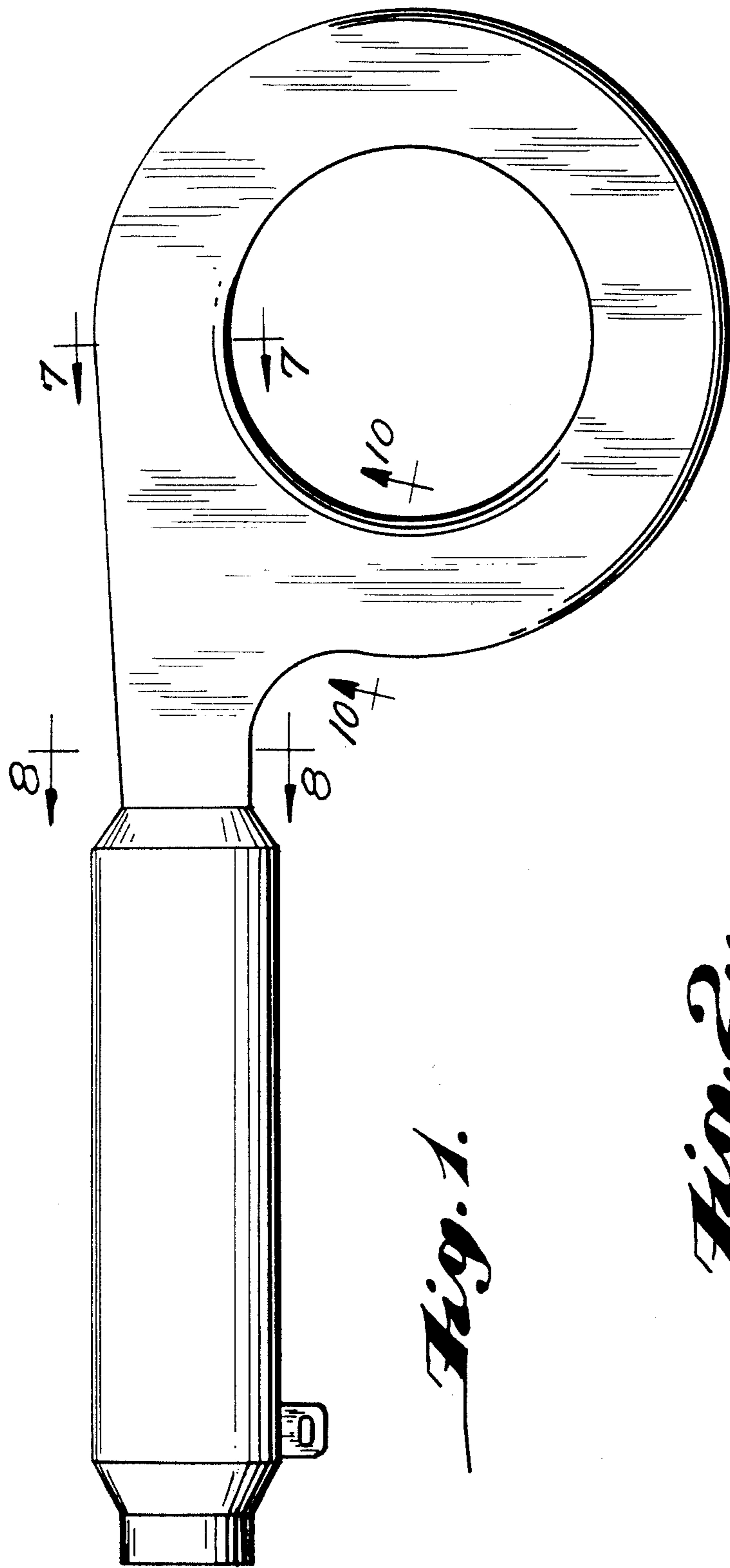
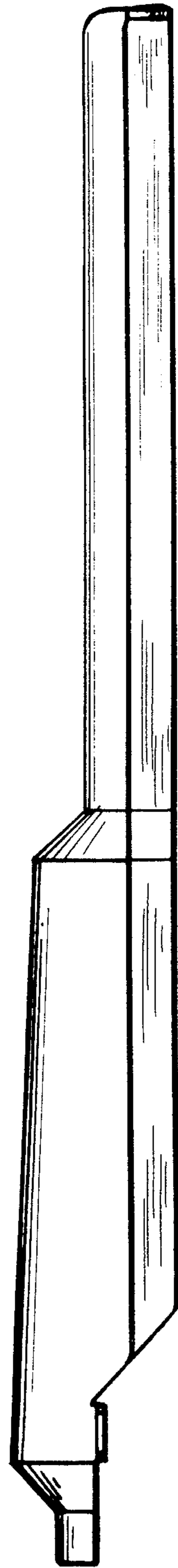
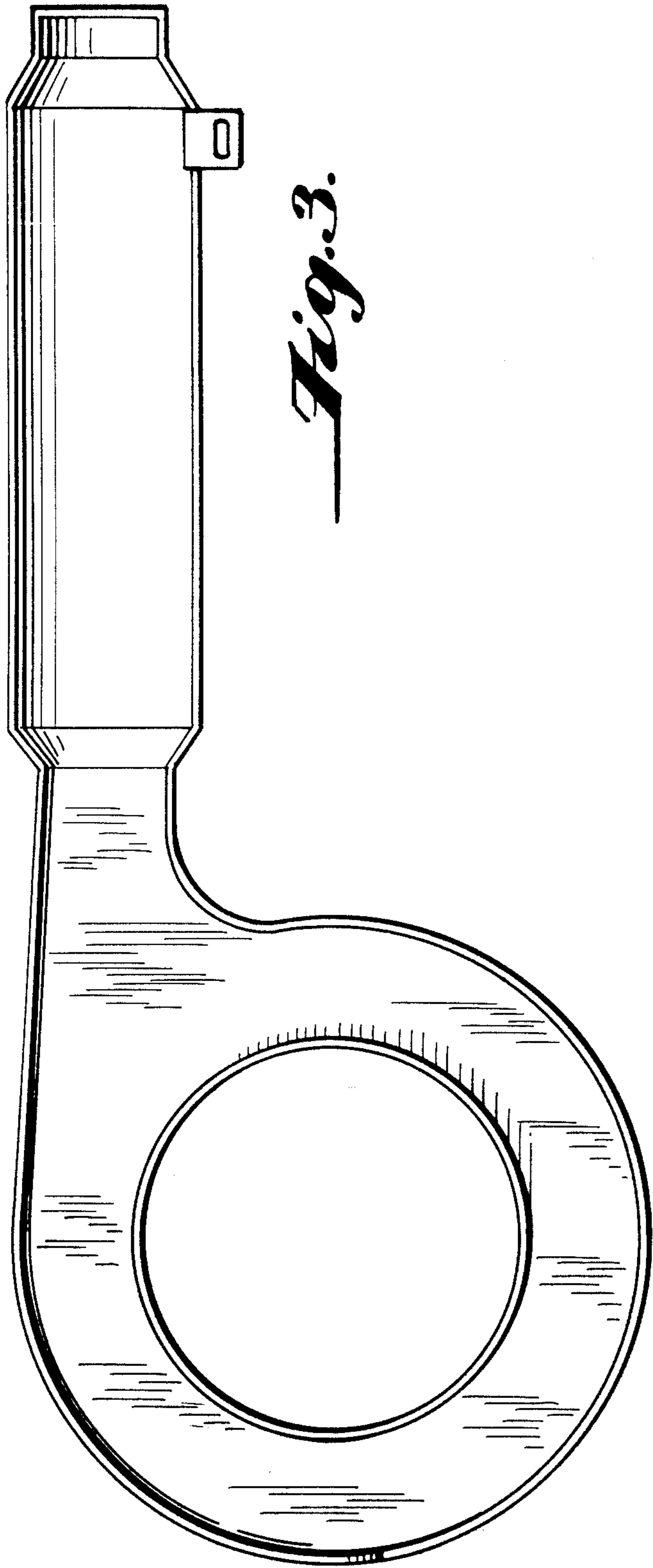
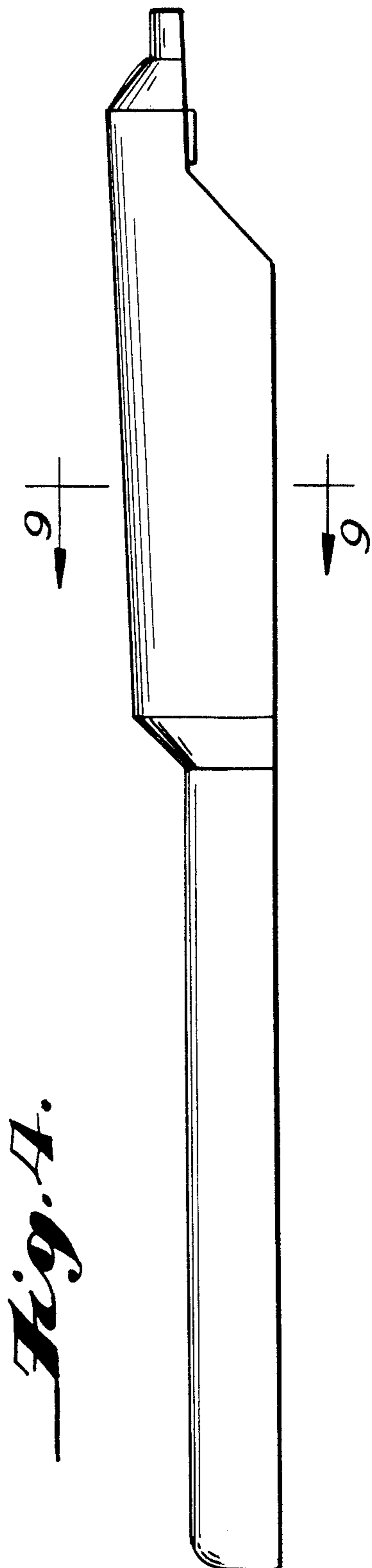


Fig. 2.



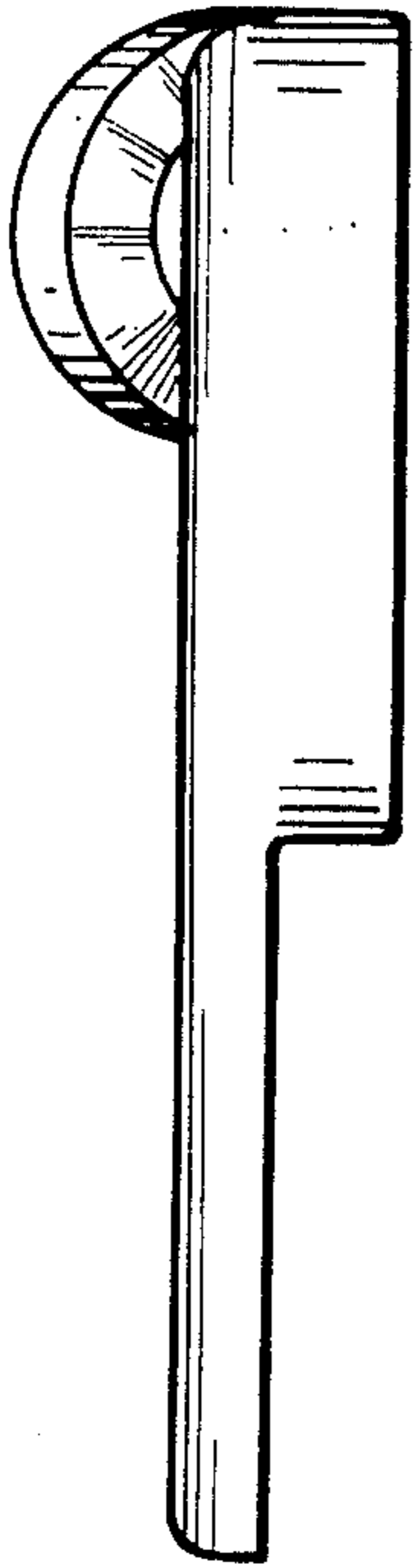


*Fig. 3.*

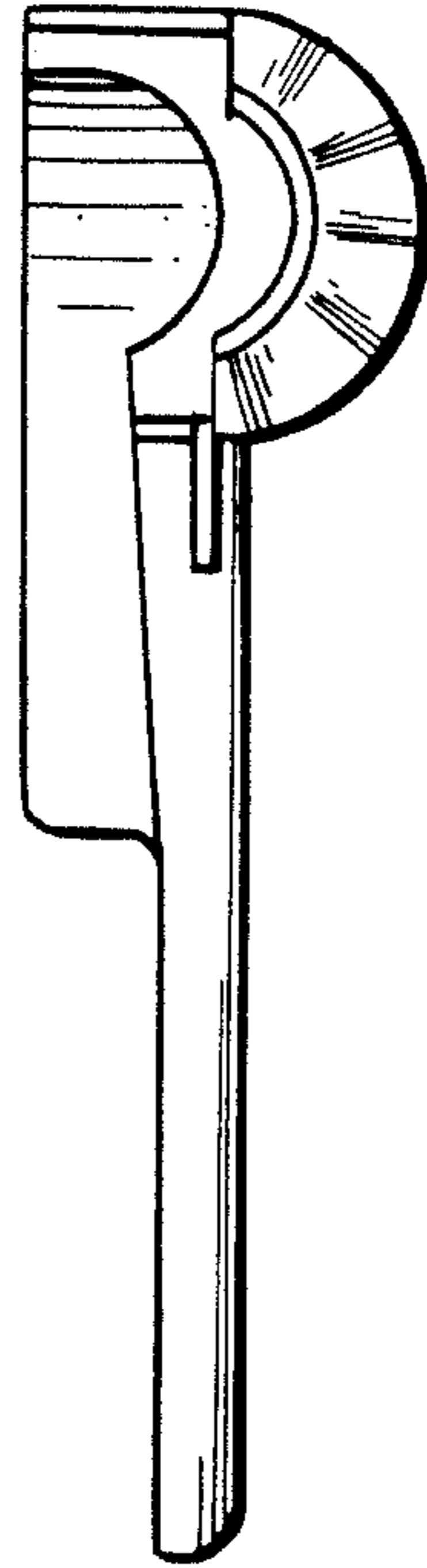


*Fig. 4.*

*Fig. 5.*



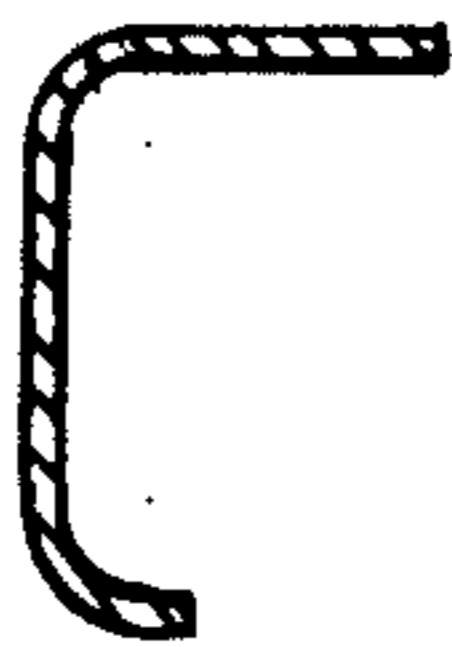
*Fig. 6.*



*Fig. 10.*



*Fig. 7.*



*Fig. 8.*



*Fig. 9.*

