

- [54] SURVIVAL CAPSULE 3,295,151 1/1967 Hall 9/4 R
- [75] Inventors: Eric Ralph Hooper; Augustine Jose Pagan, both of El Cajon, Calif.
- [73] Assignee: Whittaker Corporation, Los Angeles, Calif.
- [**] Term: 14 Years
- [21] Appl. No.: 695,496
- [22] Filed: Jun. 11, 1976
- [51] Int. Cl. D12—14; D29—02
- [52] U.S. Cl. D12/66; D12/1
- [58] Field of Search D12/66, 1; 9/4 R

FOREIGN PATENT DOCUMENTS
 2,451,830 6/1976 Germany 9/4 R

Primary Examiner—Alan P. Douglas
 Attorney, Agent, or Firm—Donald E. Nist

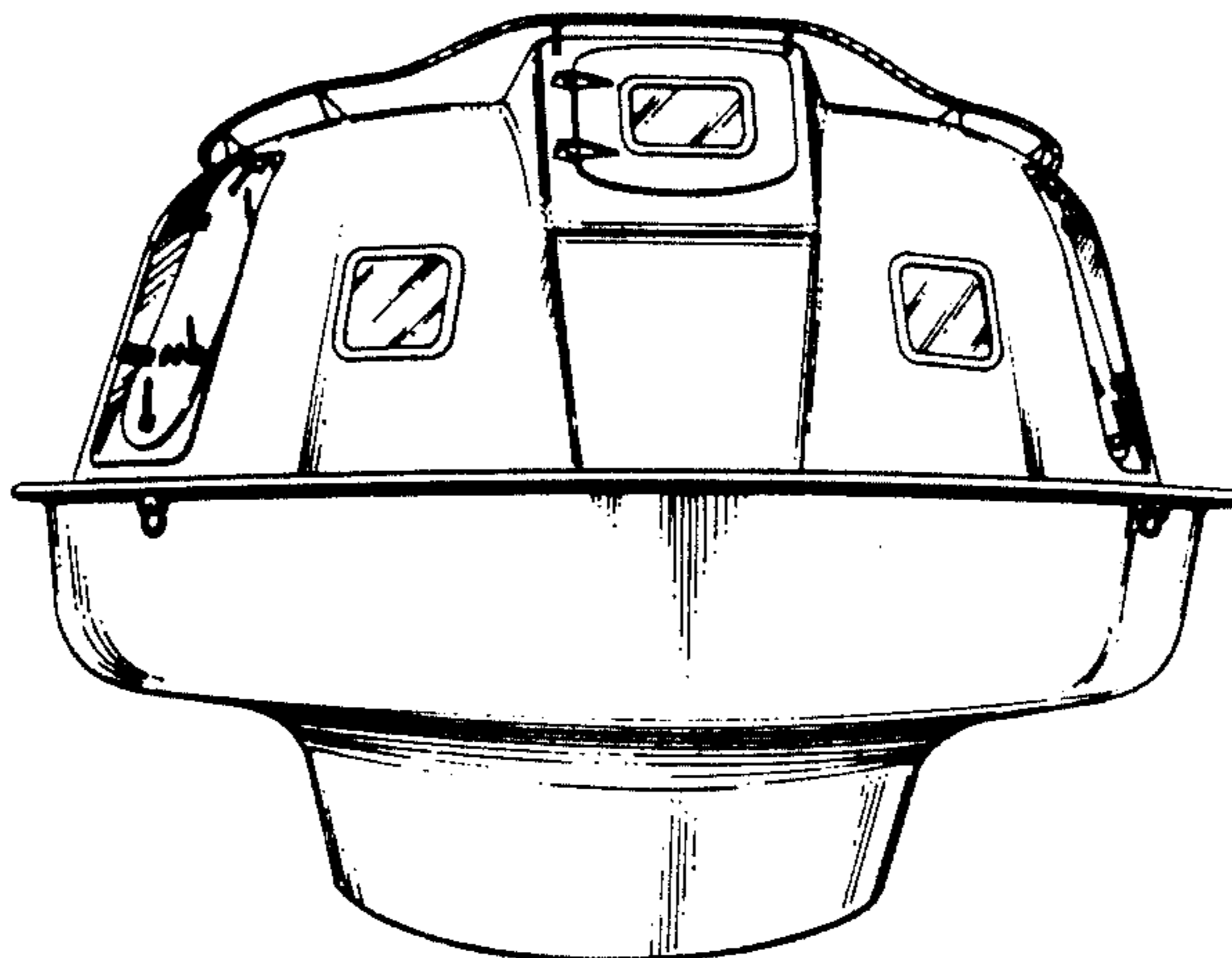
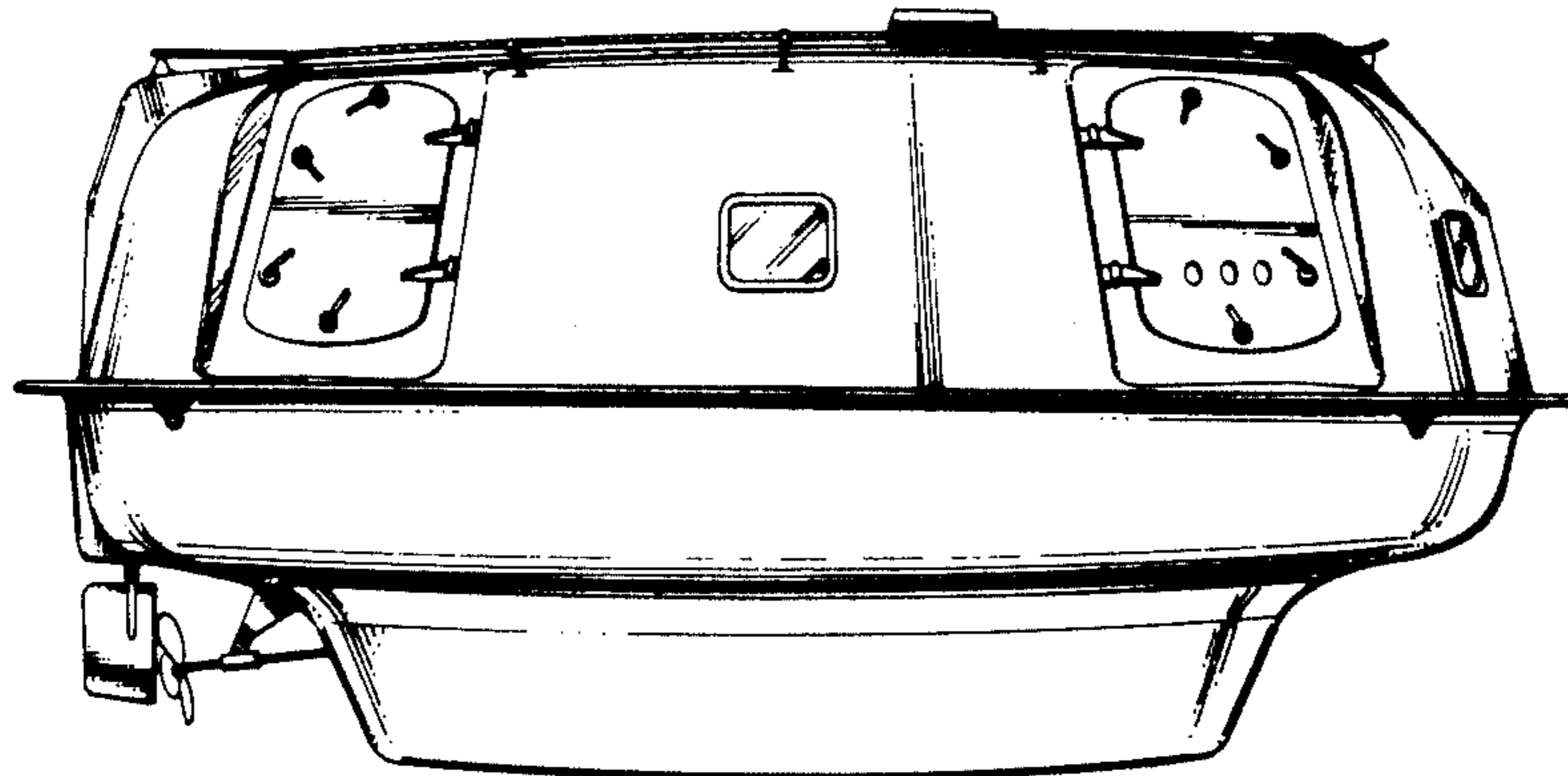
[57] CLAIM

The ornamental design for a survival capsule, substantially as shown.

DESCRIPTION

FIG. 1 is a perspective view taken from the front of a survival capsule embodying this invention;
 FIG. 2 is a perspective view taken from the side of the survival capsule of FIG. 1;
 FIG. 3 is a perspective view taken from the back side of the survival capsule of FIG. 1; and,
 FIG. 4 is a reduced bottom plan view of the survival capsule of FIG. 1.

- [56] References Cited
- U.S. PATENT DOCUMENTS
- D. 231,913 6/1974 Sakow D12/66 X
- D. 238,348 1/1976 Chadburn D12/1 X
- 1,801,480 4/1931 Barnett 9/4 R



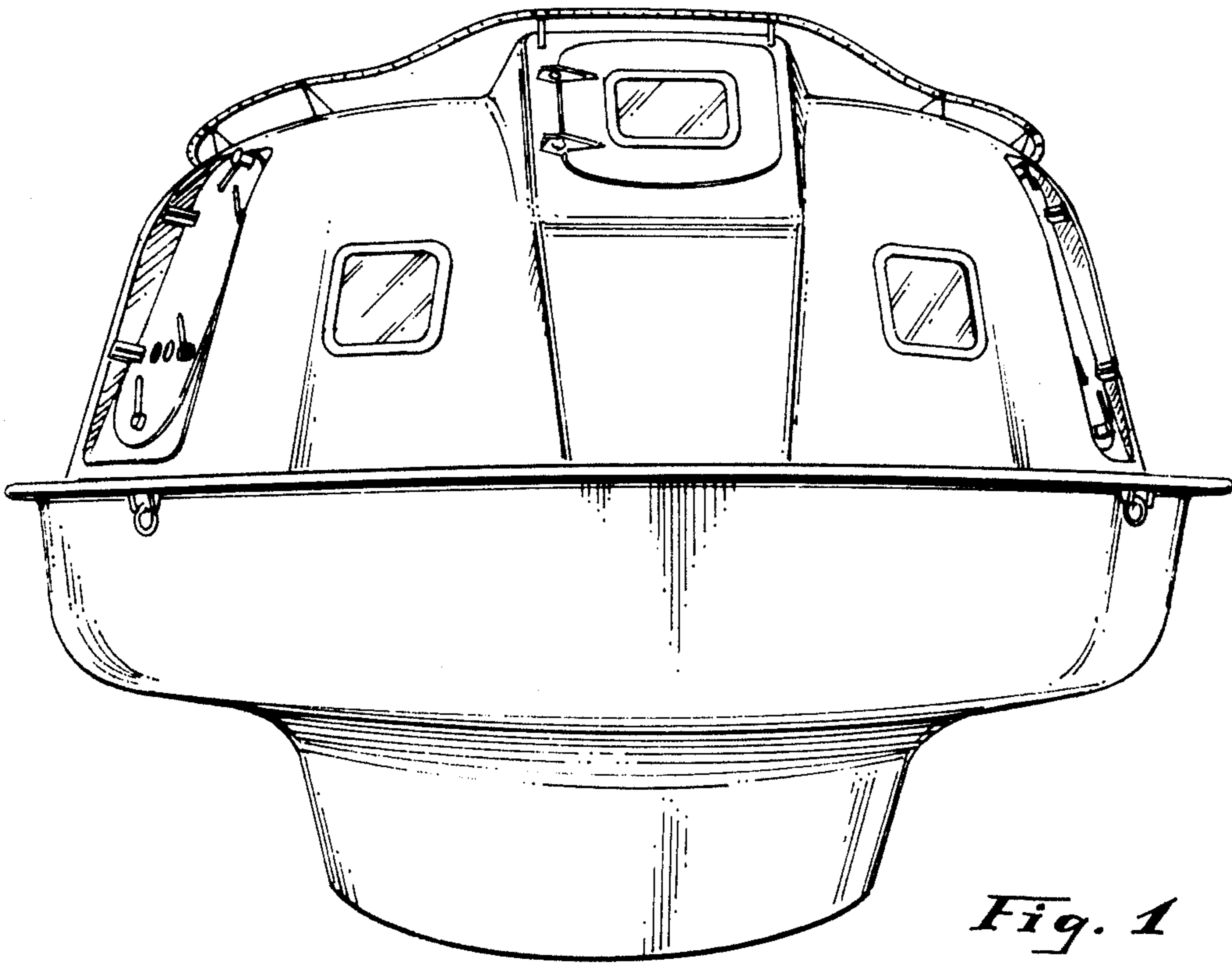


Fig. 1

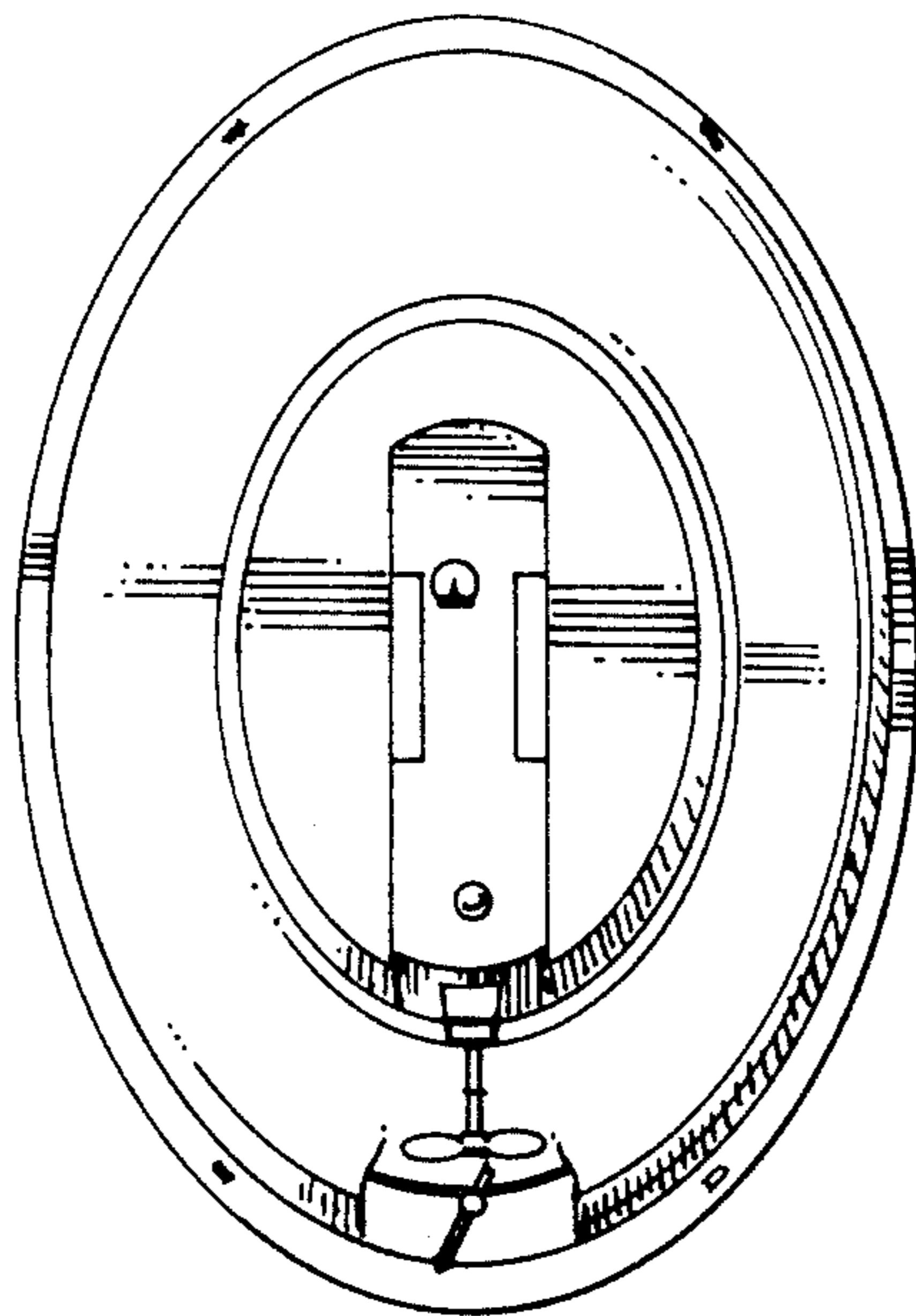


Fig. 4

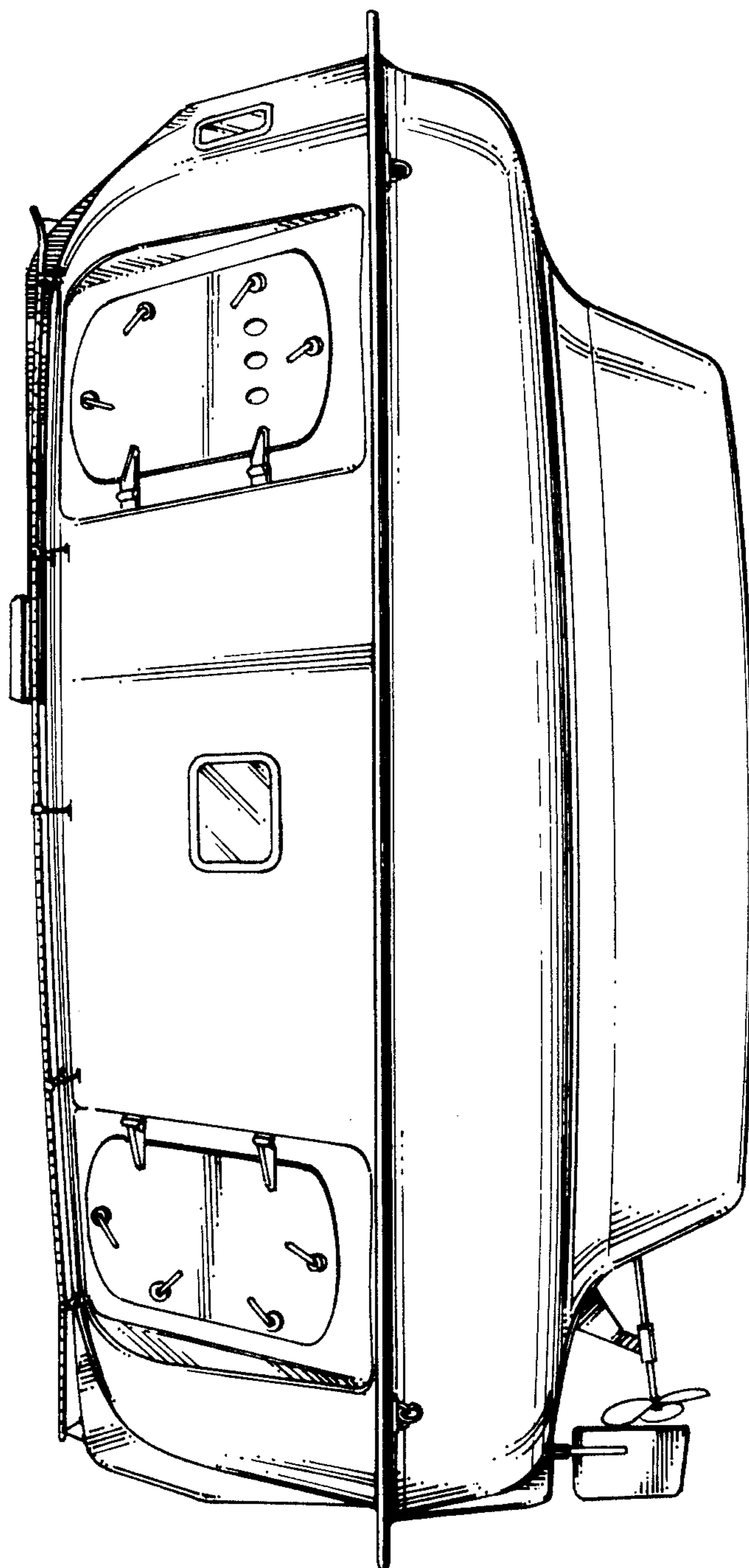


Fig. 2

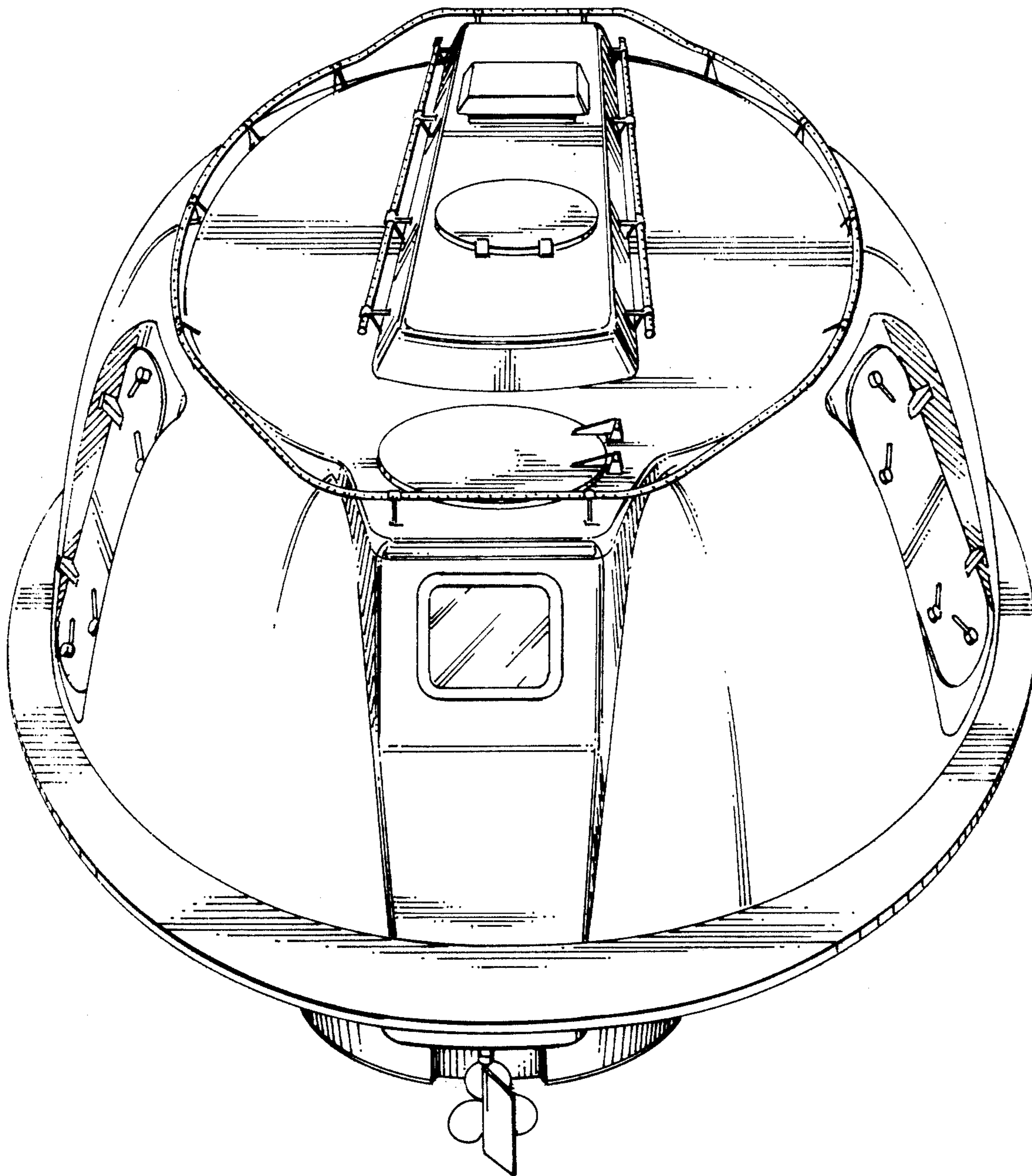


Fig. 3