

[54] ANTENNA BRACKET  
[76] Inventor: John J. Gostomski, 13826 Pierce,  
Omaha, Nebr. 68144  
[\*\*] Term: 14 Years  
[21] Appl. No.: 755,527  
[22] Filed: Dec. 30, 1976  
[51] Int. Cl. .... D14-03; D14-99  
[52] U.S. Cl. .... D14/91; 343/715  
[58] Field of Search ..... 343/715; 248/534, 536,  
248/539; D14/91

3,984,076 10/1976 Ordt ..... 248/539

OTHER PUBLICATIONS

Radio Shack Electronics Cat. No. 263, © 1975, p. 153,  
Item "C", Gutter Clamp Antenna.

Primary Examiner—Bernard Ansher  
Attorney, Agent, or Firm—Louis J. Strom

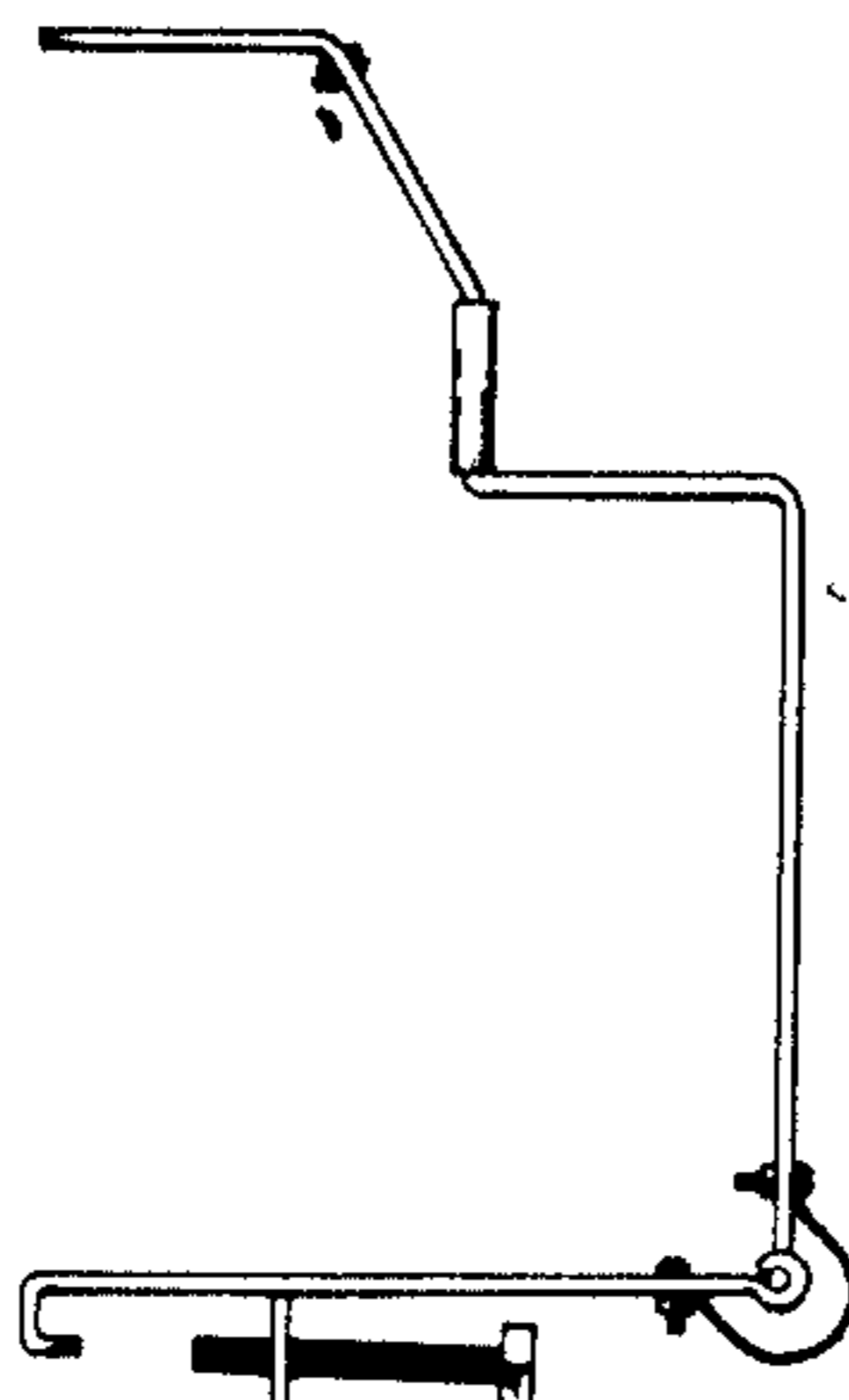
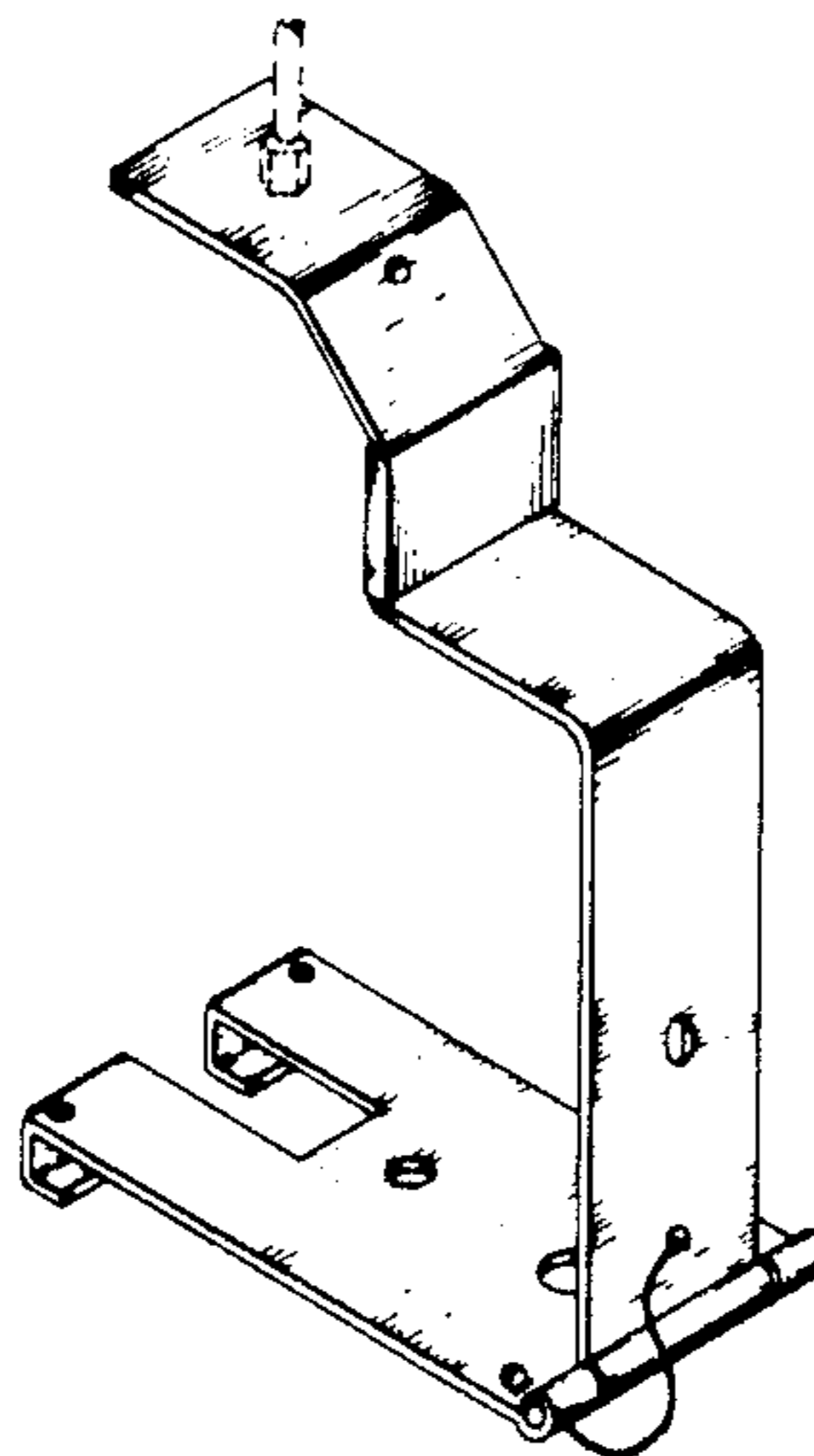
[57] CLAIM

The ornamental design for an antenna bracket, substan-  
tially as shown and described.

DESCRIPTION

FIG. 1 is a perspective view of an antenna bracket with  
a portion of an antenna, shown in broken line, mounted  
thereon, for illustrative purposes only;  
FIG. 2 is a side elevational view;  
FIG. 3 is a front elevational view;  
FIG. 4 is a rear elevational view; and  
FIG. 5 is a bottom plan view thereof.

[56] References Cited  
U.S. PATENT DOCUMENTS  
D. 158,122 4/1950 Pennington ..... D14/91  
3,056,570 10/1962 Slavin ..... 248/539  
3,555,551 9/1968 Gronlund ..... 248/539



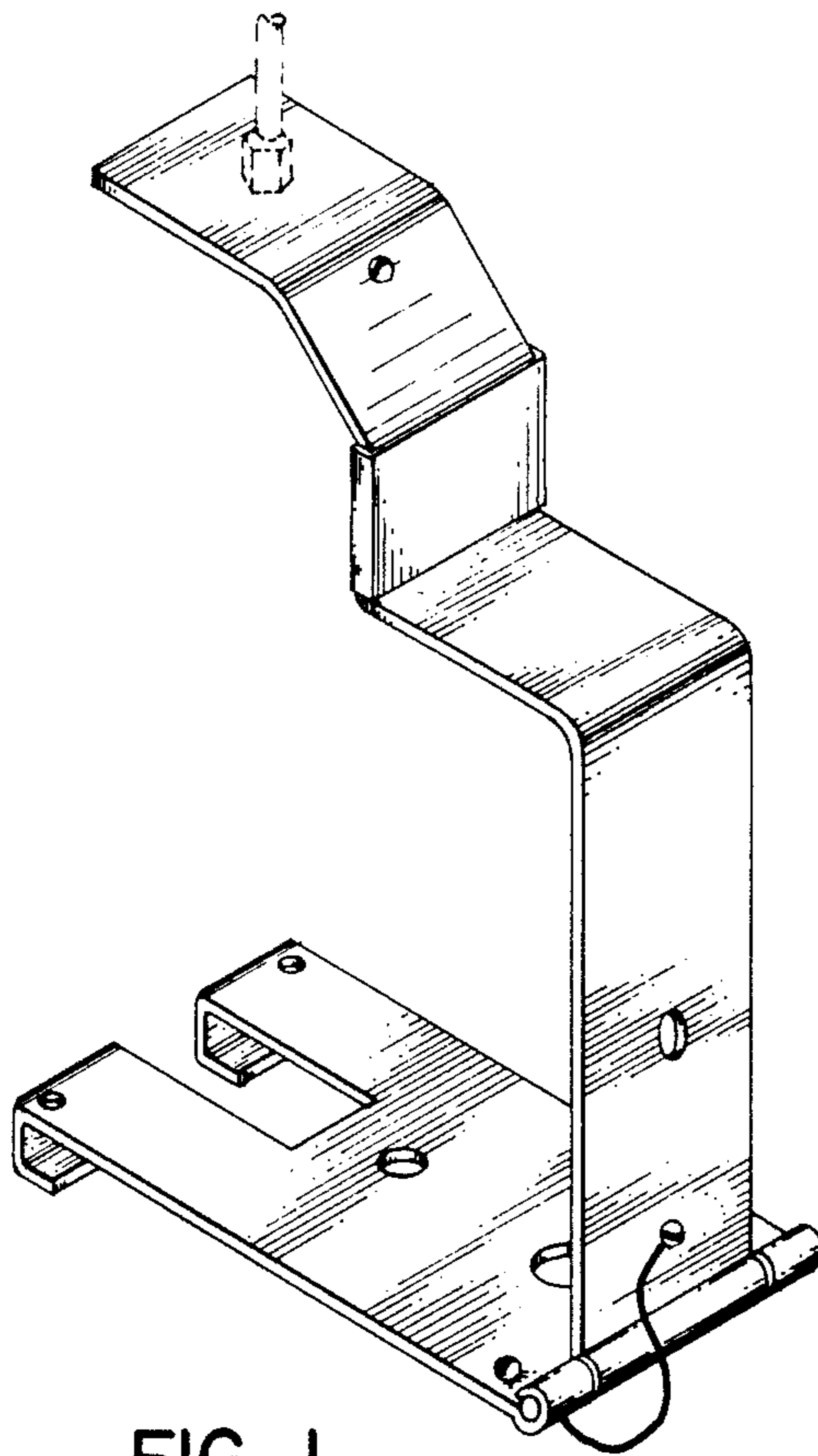


FIG. 1

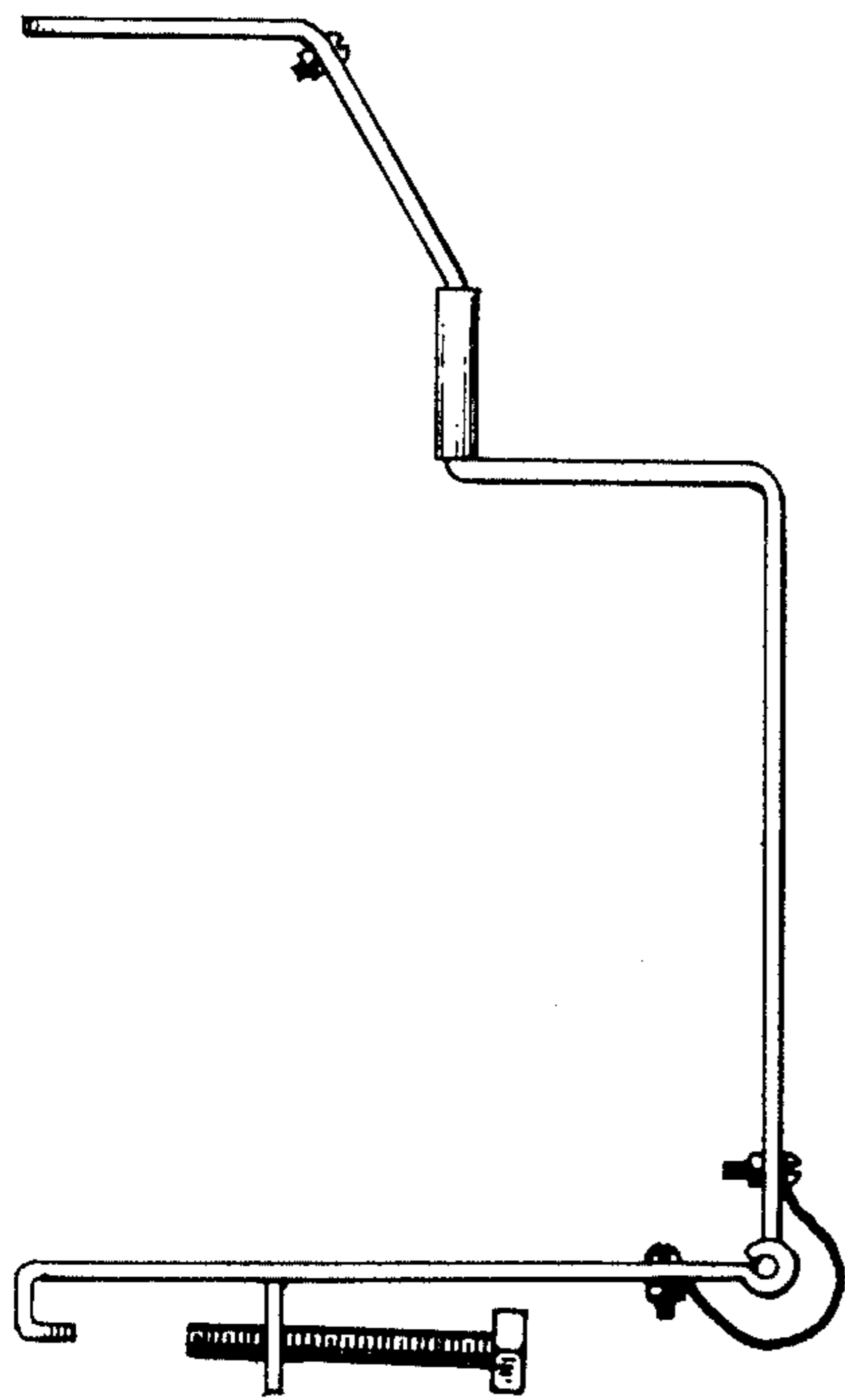


FIG. 2

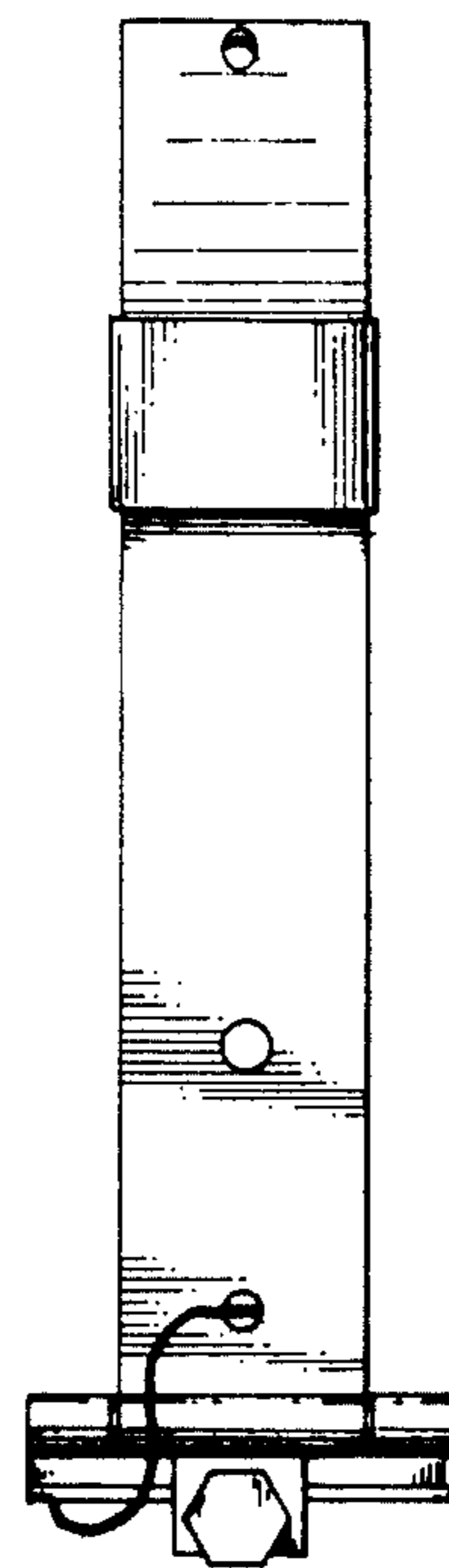


FIG. 3

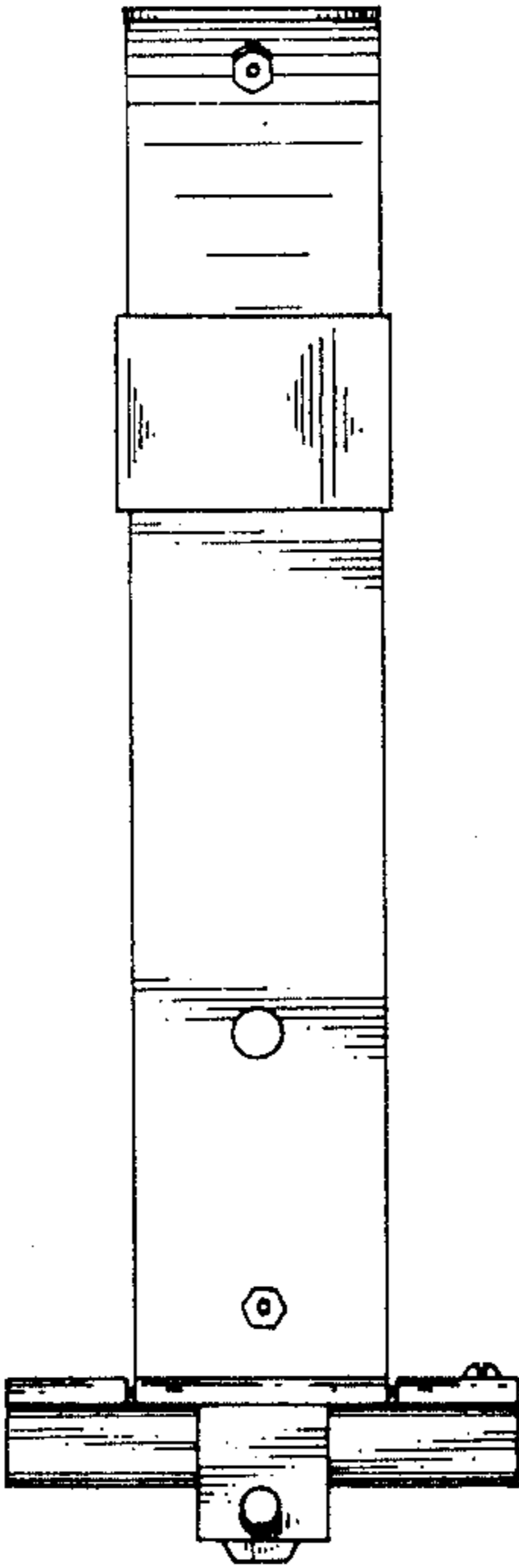


FIG. 4

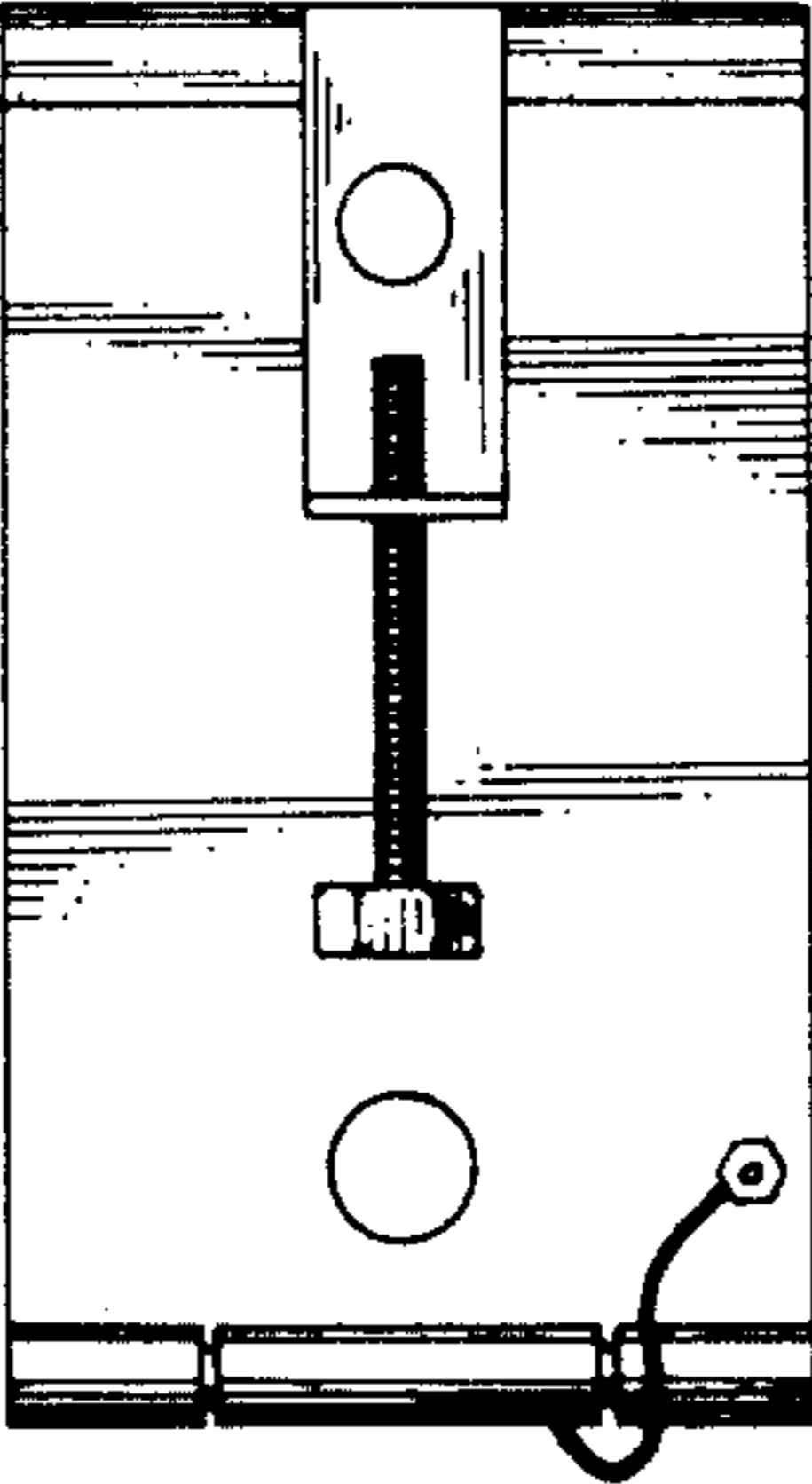


FIG. 5