

[54] MEASURING CONTAINER

[75] Inventor: P. Reilly Scheid, Glenview, Ill.

[73] Assignee: Abbott Laboratories, North Chicago, Ill.

[**] Term: 14 Years

[21] Appl. No.: 712,639

[22] Filed: Aug. 9, 1976

[51] Int. Cl. D10-04

[52] U.S. Cl. D10/96; D7/50 X

[58] Field of Search D10/96, 101; D7/50; 73/426, 427

[56] References Cited

U.S. PATENT DOCUMENTS

| | | | | |
|------------|--------|--------|-------|--------|
| D. 232,527 | 8/1974 | Sears | | D10/96 |
| 2,170,150 | 8/1939 | Martin | | 73/426 |

| | | | | |
|-----------|---------|-----------|-------|----------|
| 2,613,537 | 10/1952 | DiAddario | | 73/426 |
| 2,793,789 | 5/1957 | Hodge | | 73/427 X |
| 3,798,975 | 3/1974 | Horst | | D7/50 X |

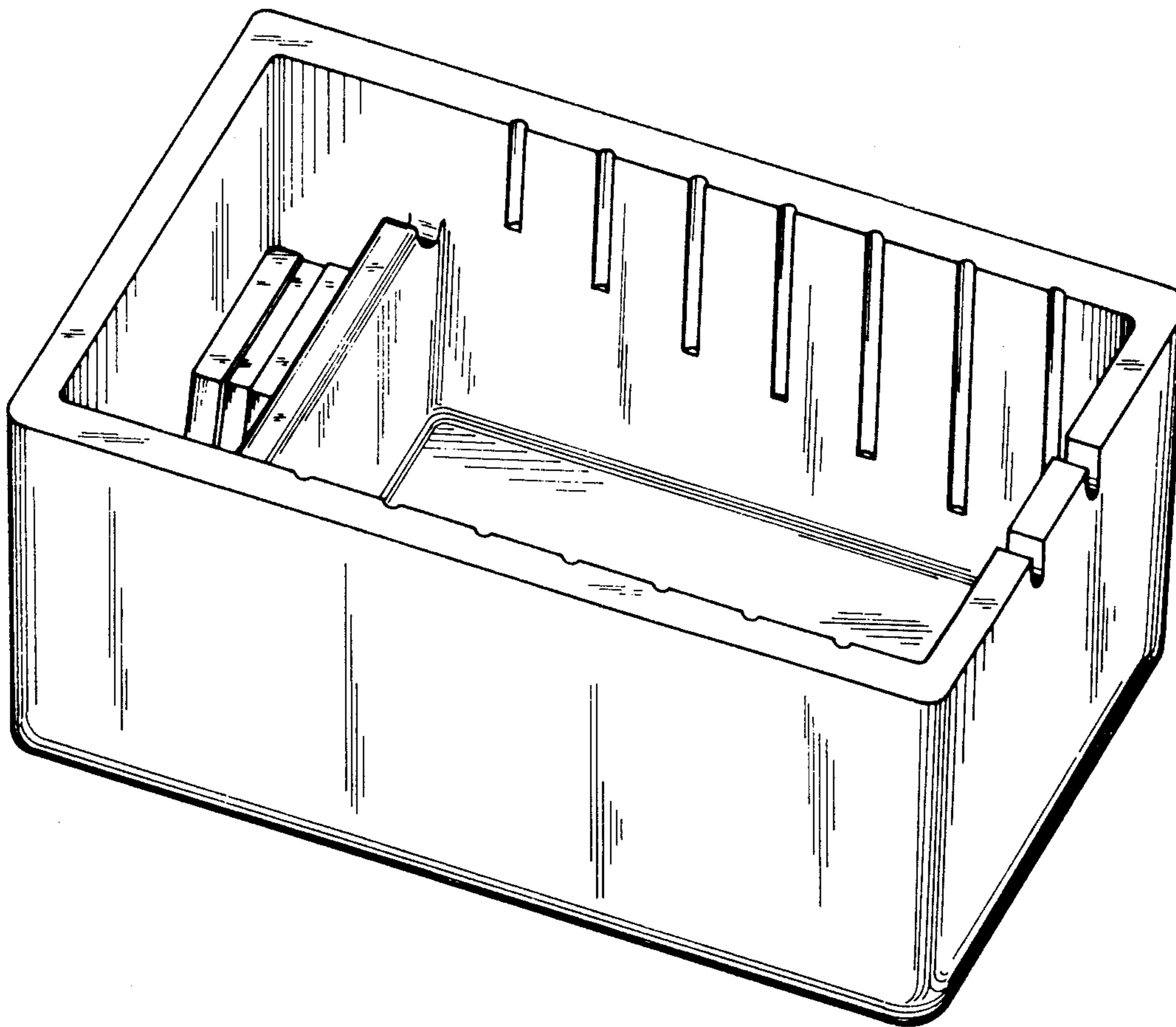
Primary Examiner—Nelson C. Holtje
Attorney, Agent, or Firm—Aaron L. Hardt

[57] CLAIM

The ornamental design for a measuring container, substantially as shown and described.

DESCRIPTION

FIG. 1 is a top, front and right side isometric view of a measuring container showing my new design;
 FIG. 2 is a top, rear, and left side isometric view thereof;
 FIG. 3 is a front elevational view thereof;
 FIG. 4 is a top plan view thereof
 FIG. 5 is a right side elevational view thereof;
 FIG. 6 is a left side elevational view thereof; and
 FIG. 7 is a bottom plan view thereof.



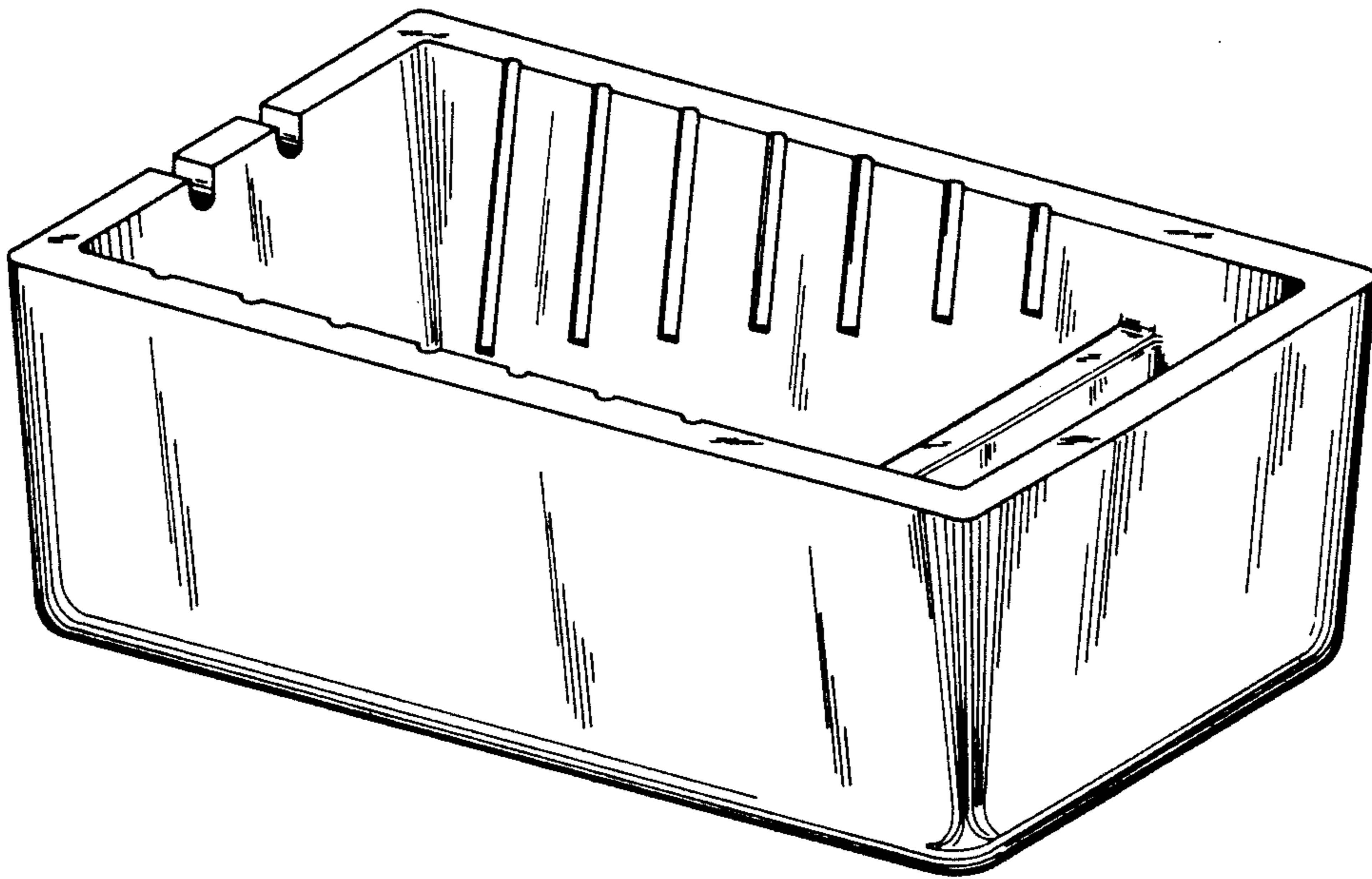


FIG. 1

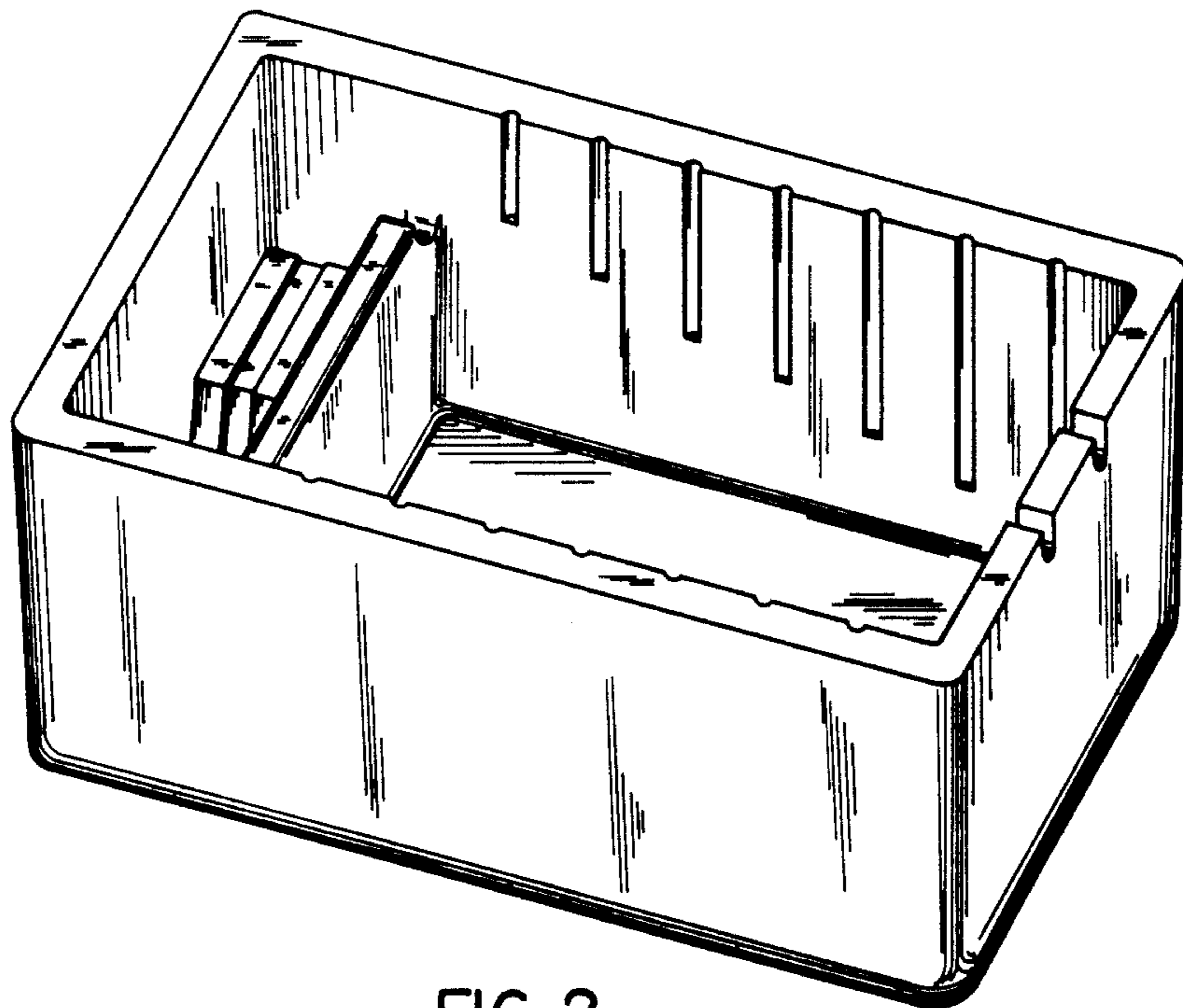


FIG. 2

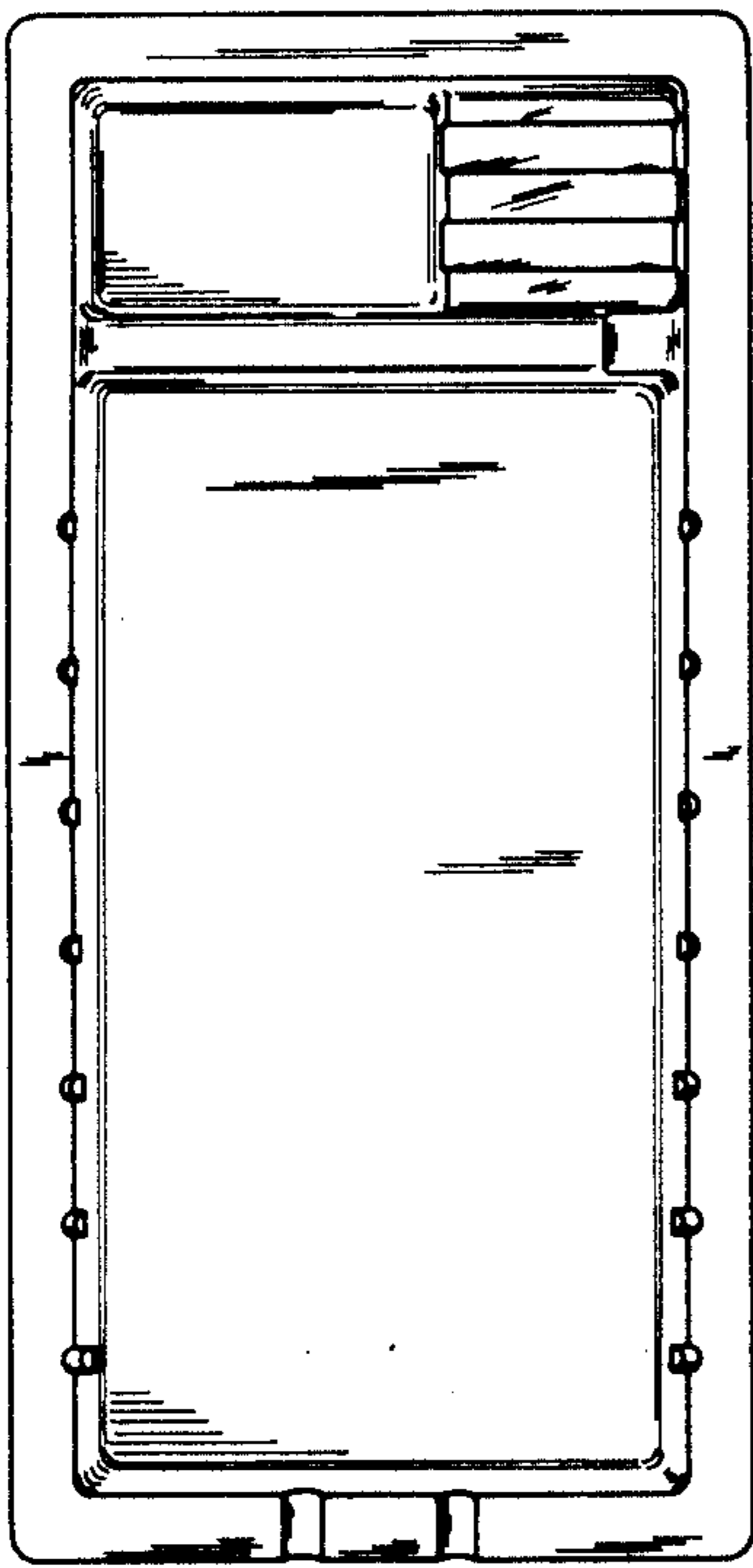


FIG. 4

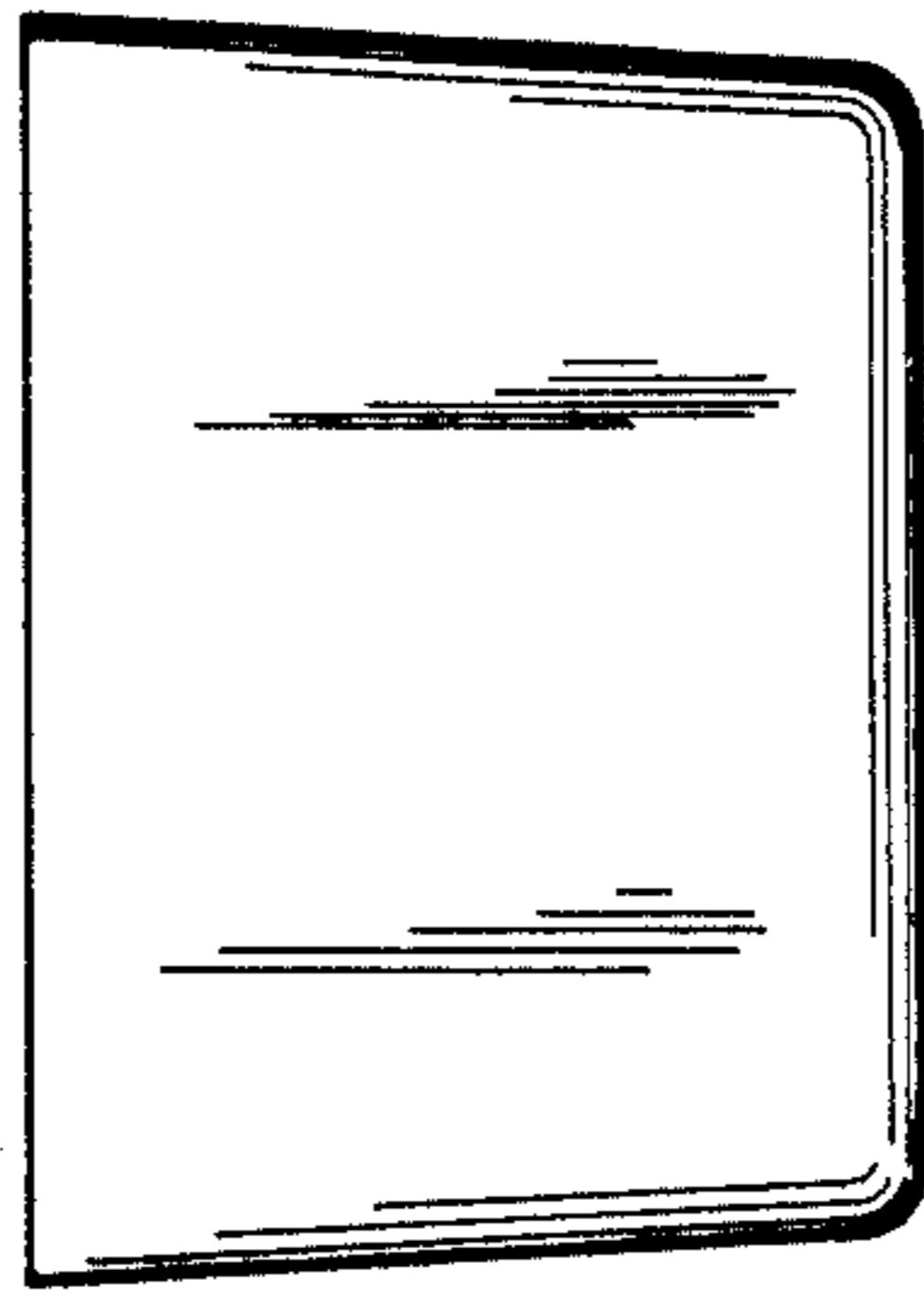


FIG. 5

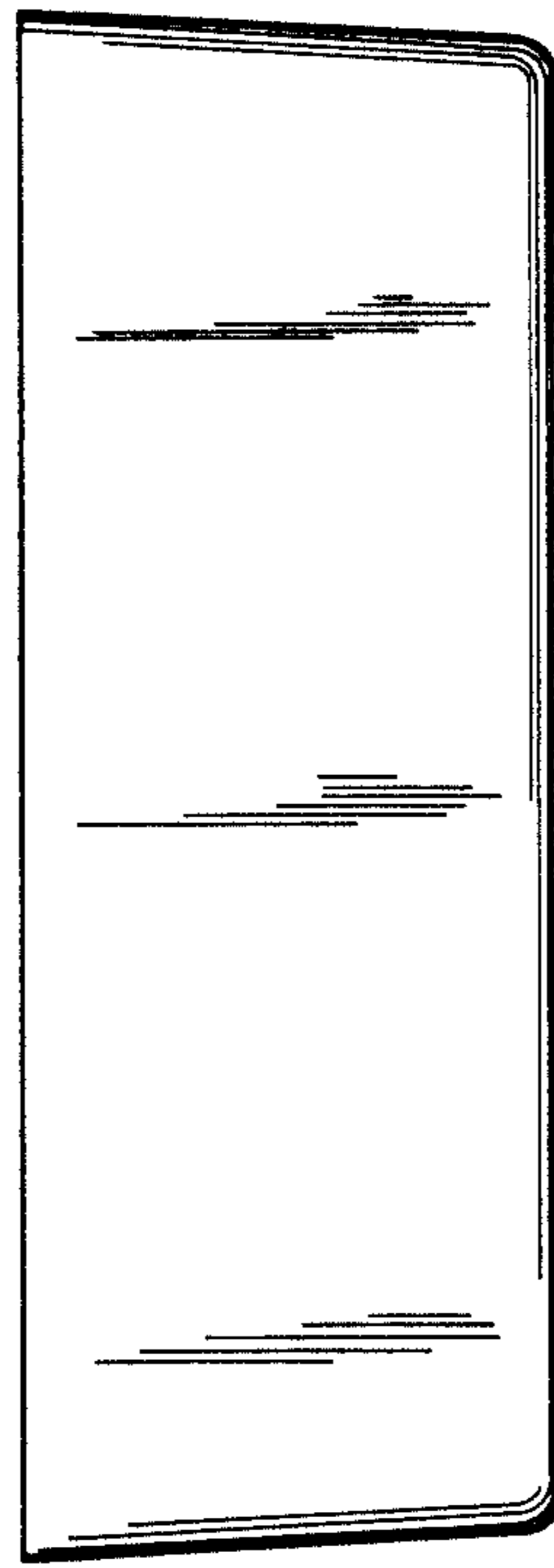


FIG. 3

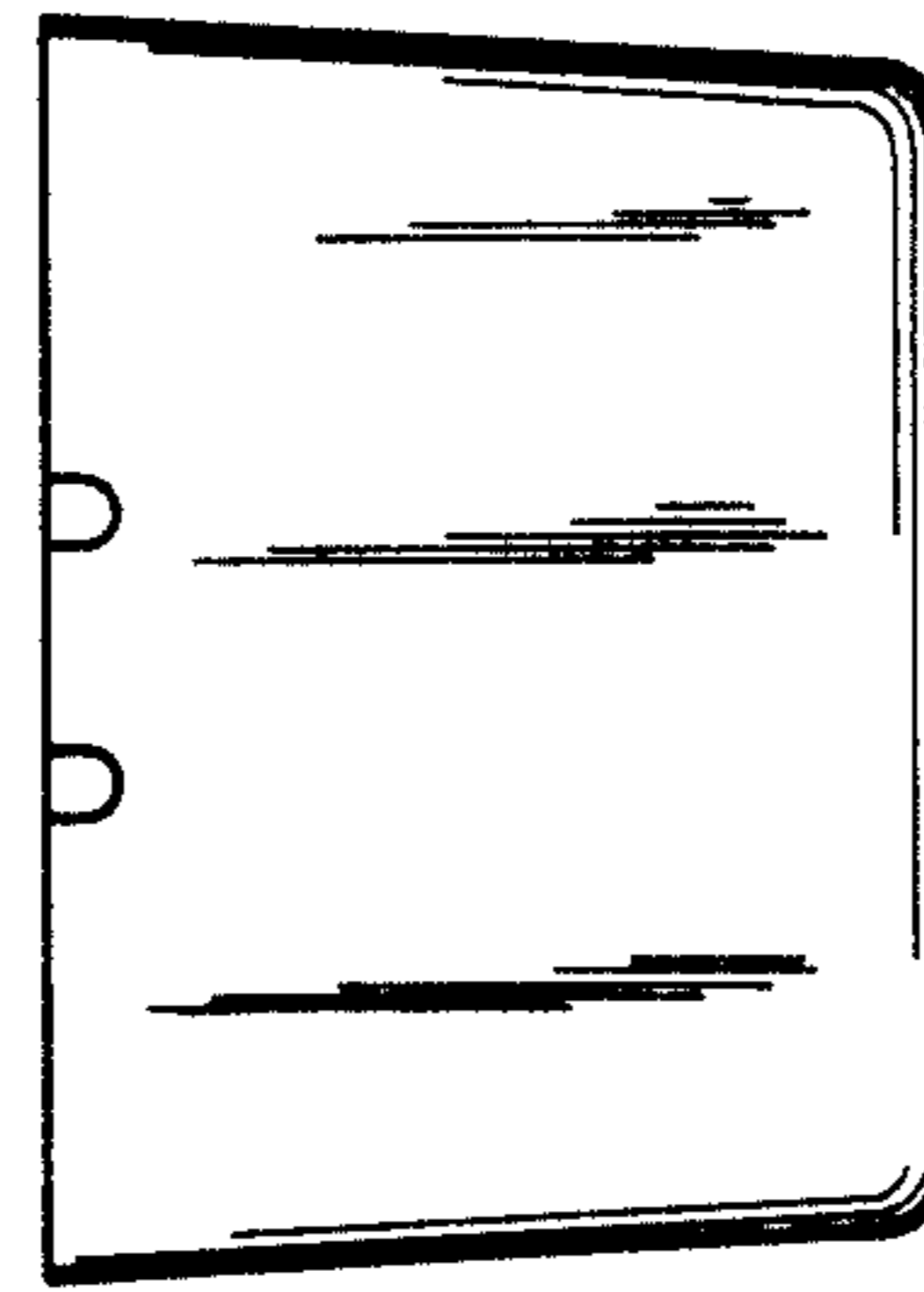


FIG. 6

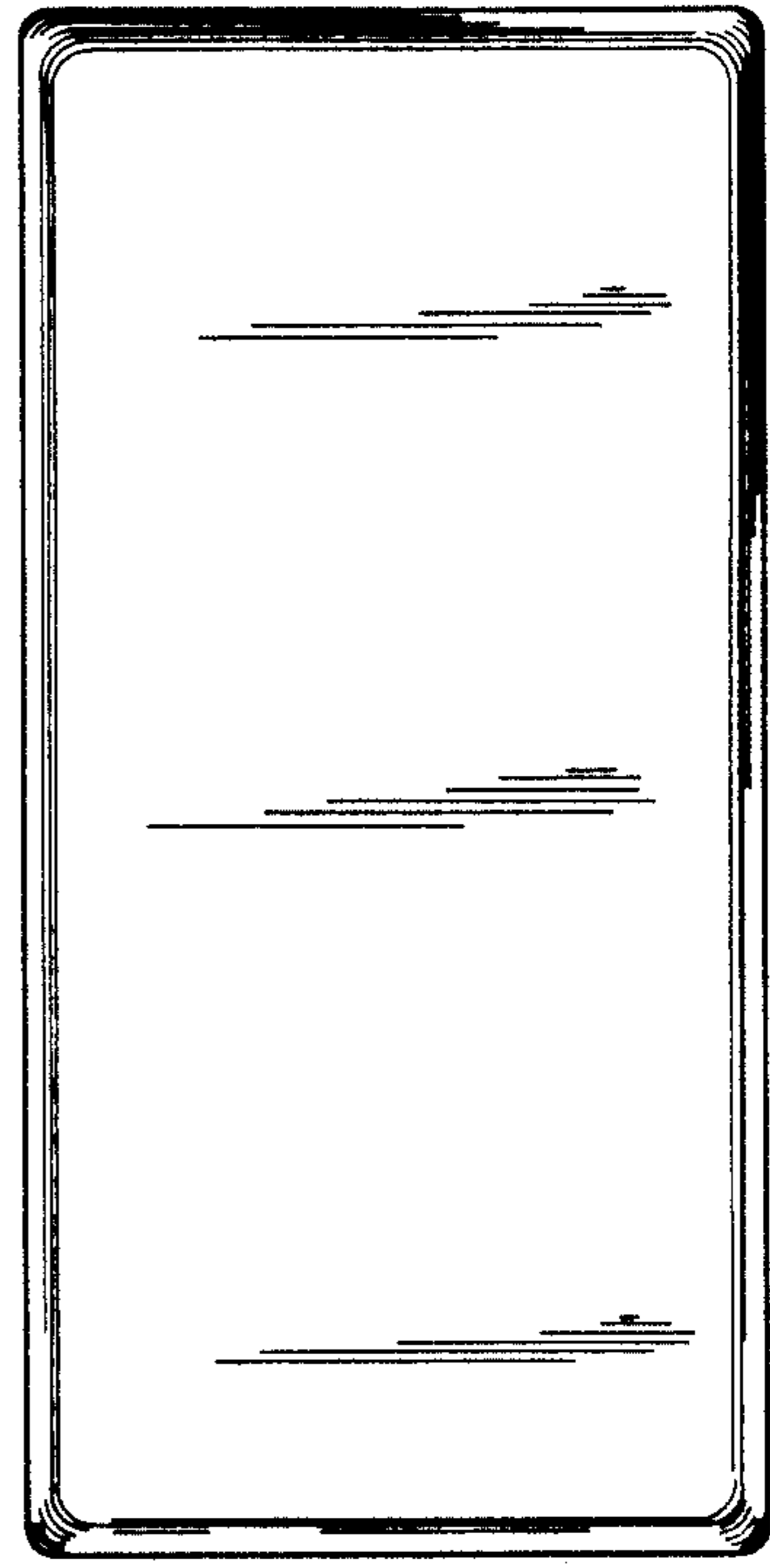


FIG. 7