

[54] COMBINED SHIPPING AND STORAGE CONTAINER

[75] Inventor: Rush B. Smith, Philadelphia, Pa.

[73] Assignee: Pennsylvania Pacific Corporation, Warminster, Pa.

[\*\*] Term: 14 Years

[21] Appl. No.: 640,003

[22] Filed: Dec. 12, 1975

[51] Int. Cl. .... D9-05

[52] U.S. Cl. .... D9/237

[58] Field of Search ..... D9/246, 237-240, D9/219; D87/1 R; 206/503, 508, 518; 220/1.5, 352

[56] References Cited

U.S. PATENT DOCUMENTS

D. 234,918 4/1975 Sauey, Jr. et al. .... D9/219

D. 238,051 12/1975 Fier, Jr. .... D9/240  
D. 240,114 6/1976 Martinelli .... D9/219  
D. 240,205 6/1976 Visser et al. .... D9/246  
D. 240,404 7/1976 Singer .... D9/246

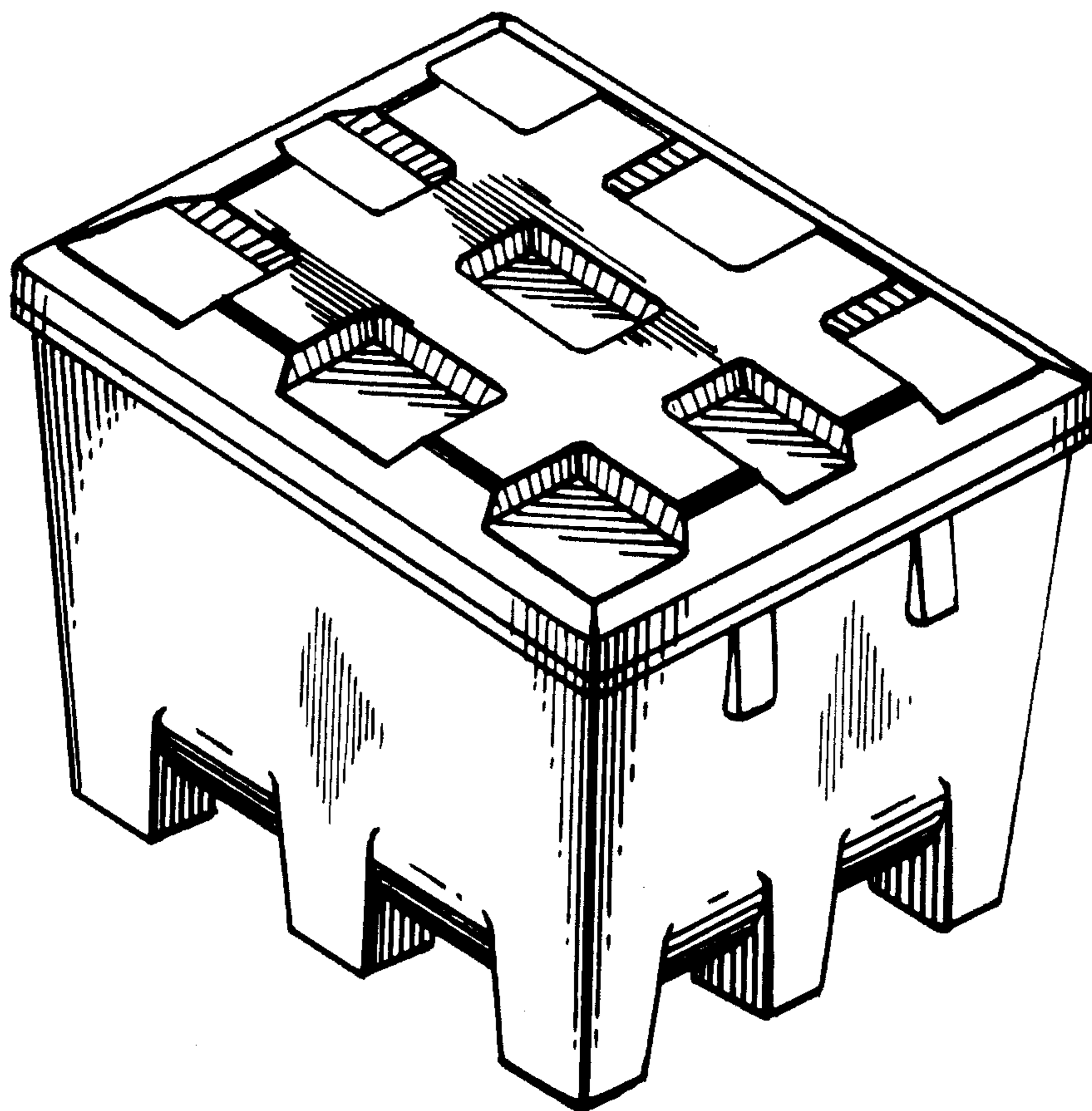
Primary Examiner—Robert C. Spangler  
Attorney, Agent, or Firm—John F. A. Earley

[57] CLAIM

The ornamental design for a combined shipping and storage container, as shown.

DESCRIPTION

FIG. 1 is a top perspective view of a combined shipping and storage container showing my new design; FIG. 2 is a top plan view; FIG. 3 is a bottom plan view; FIG. 4 is a side elevational view; FIG. 5 is a side elevational view showing the side opposite that seen in FIG. 4; FIG. 6 is an end elevational view; and FIG. 7 is an end elevational view showing the end opposite that seen in FIG. 6.



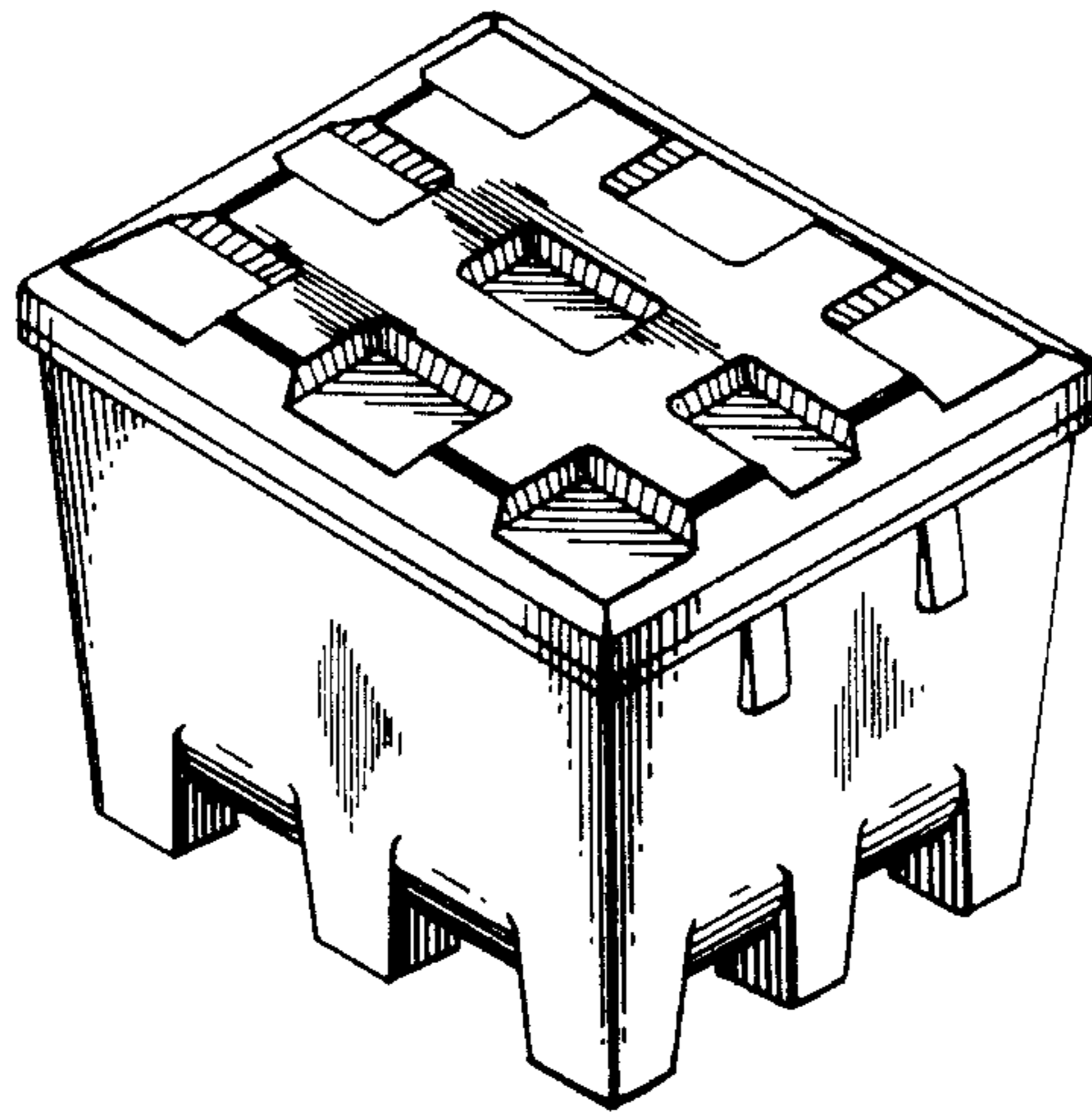


FIG. 1

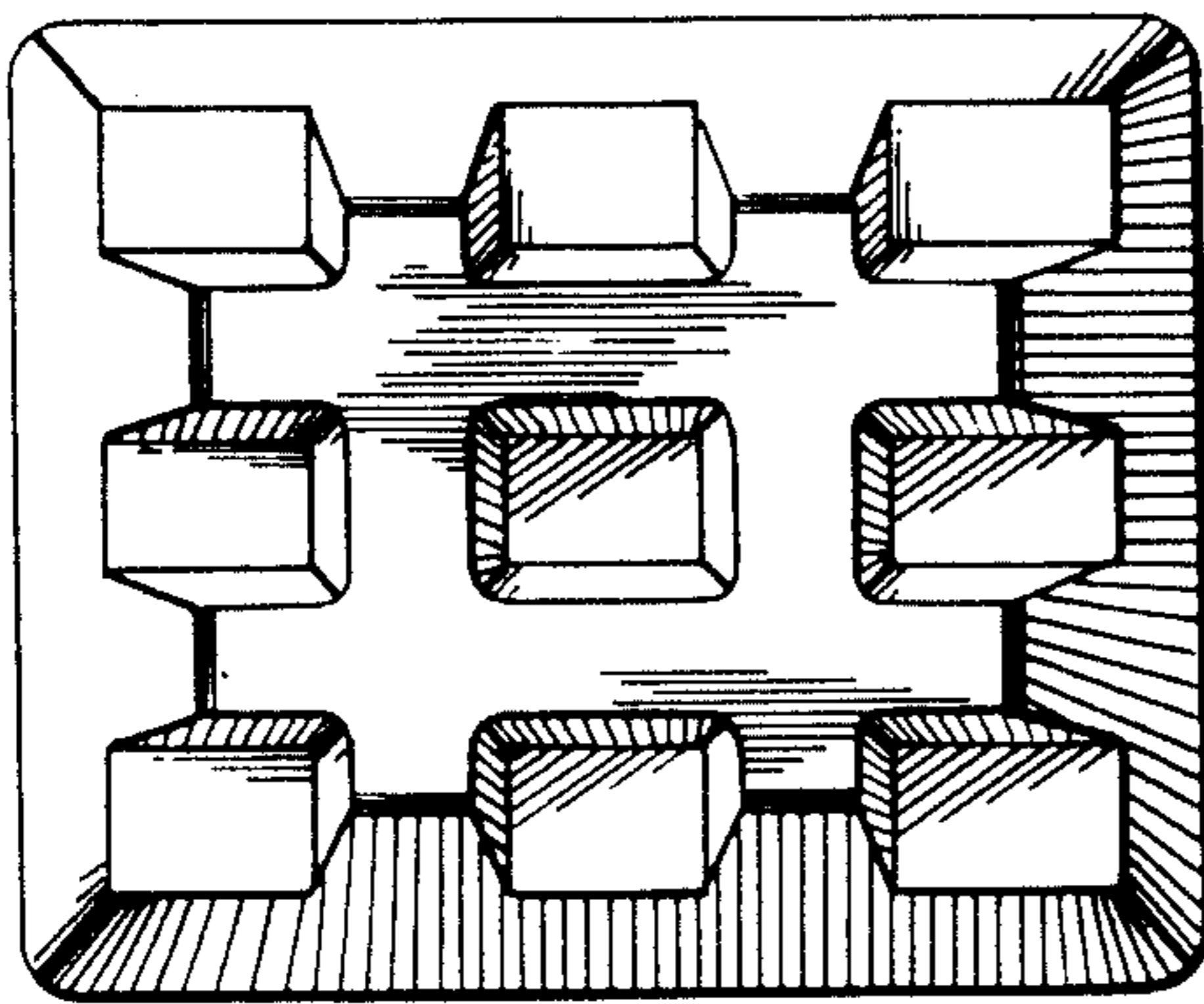


FIG. 2

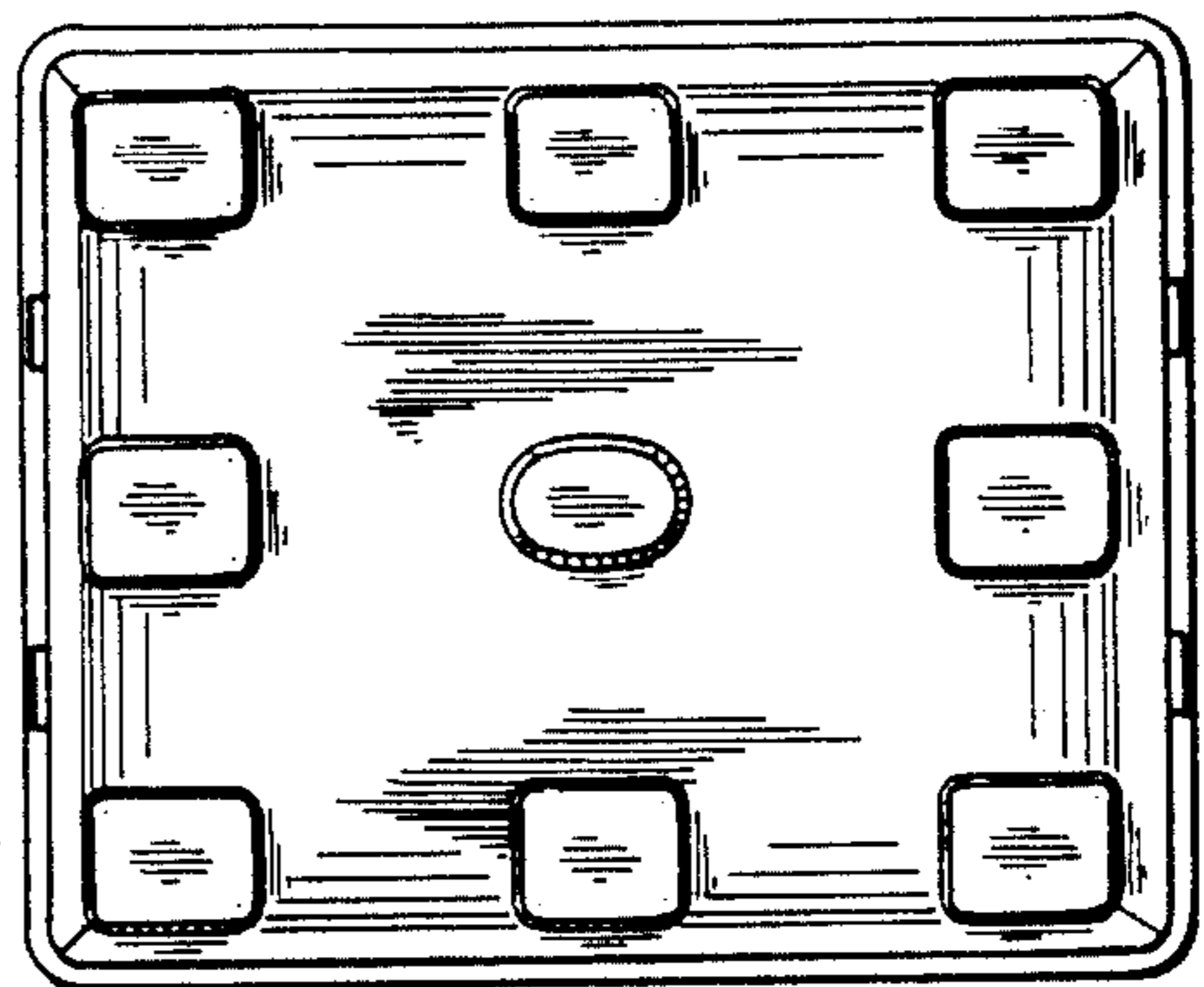


FIG. 3

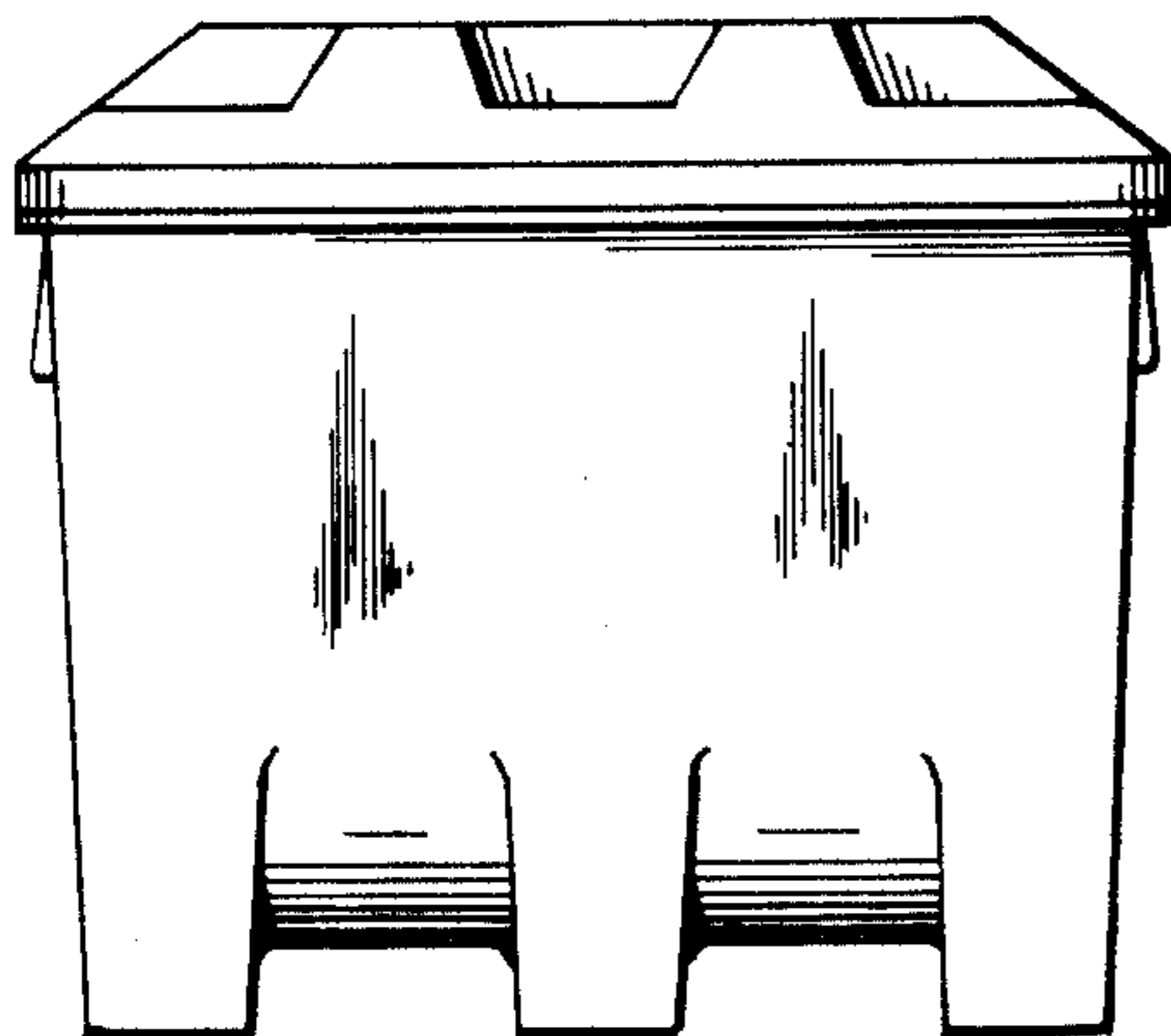


FIG. 4

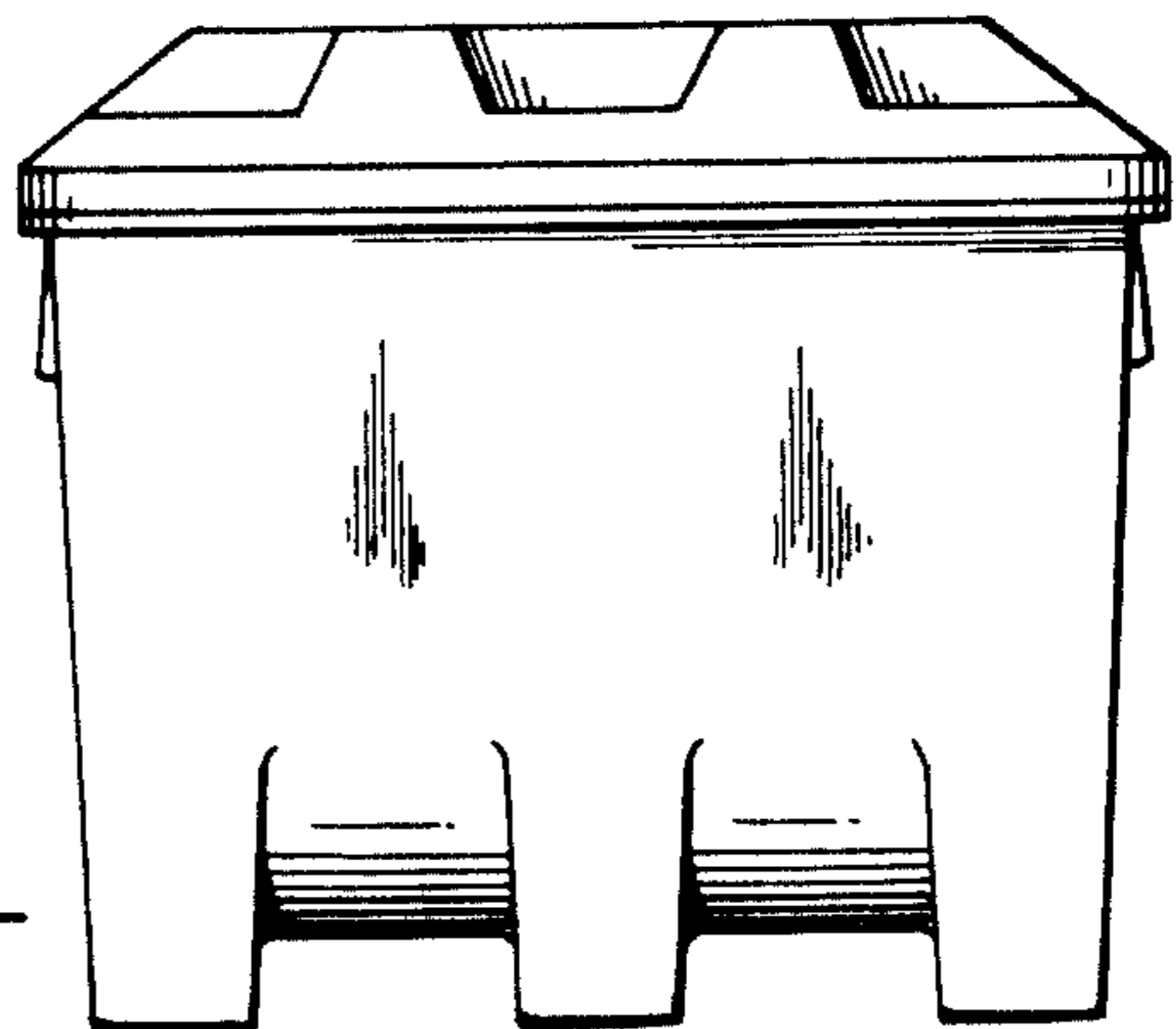


FIG. 5

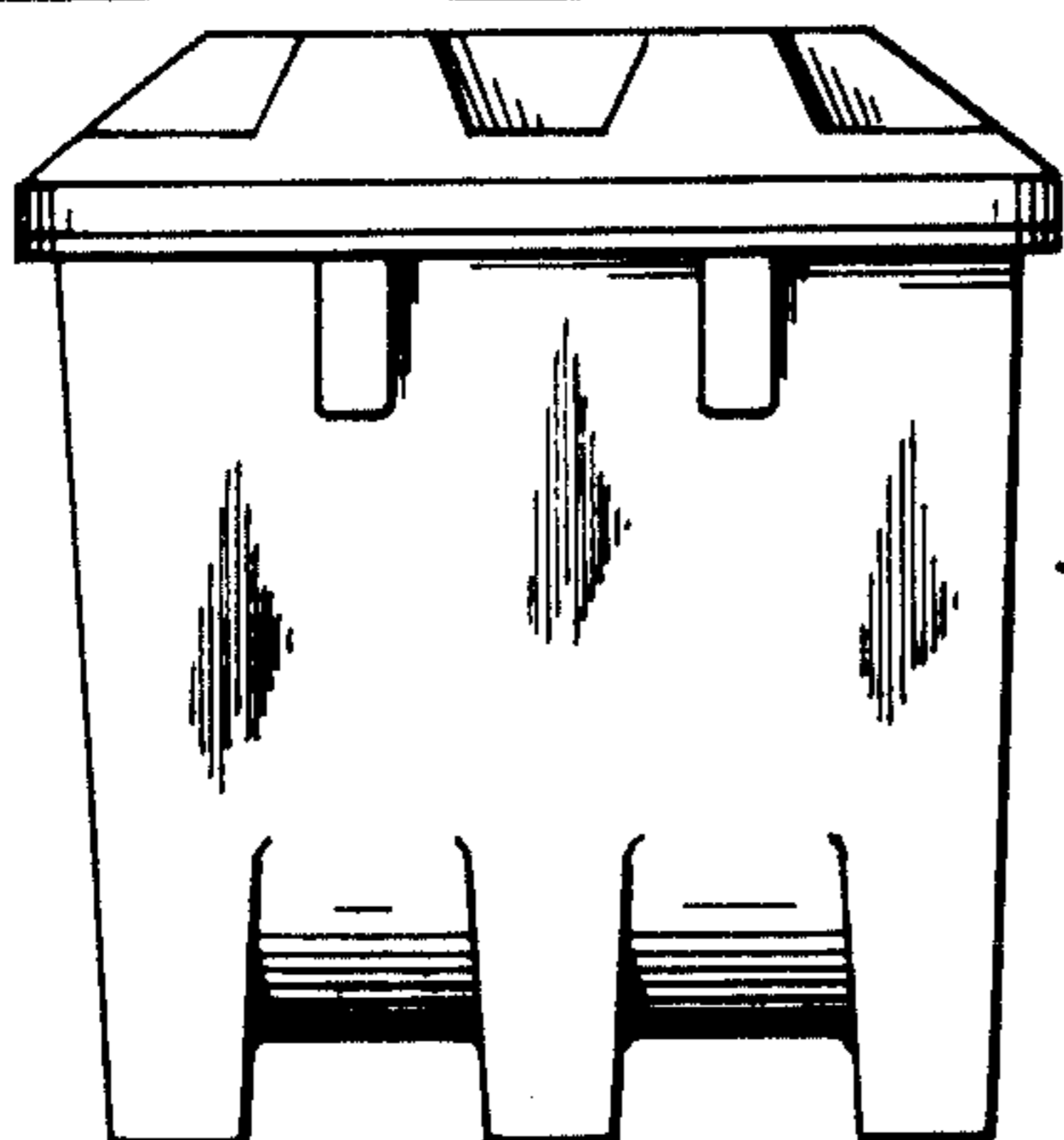


FIG. 6

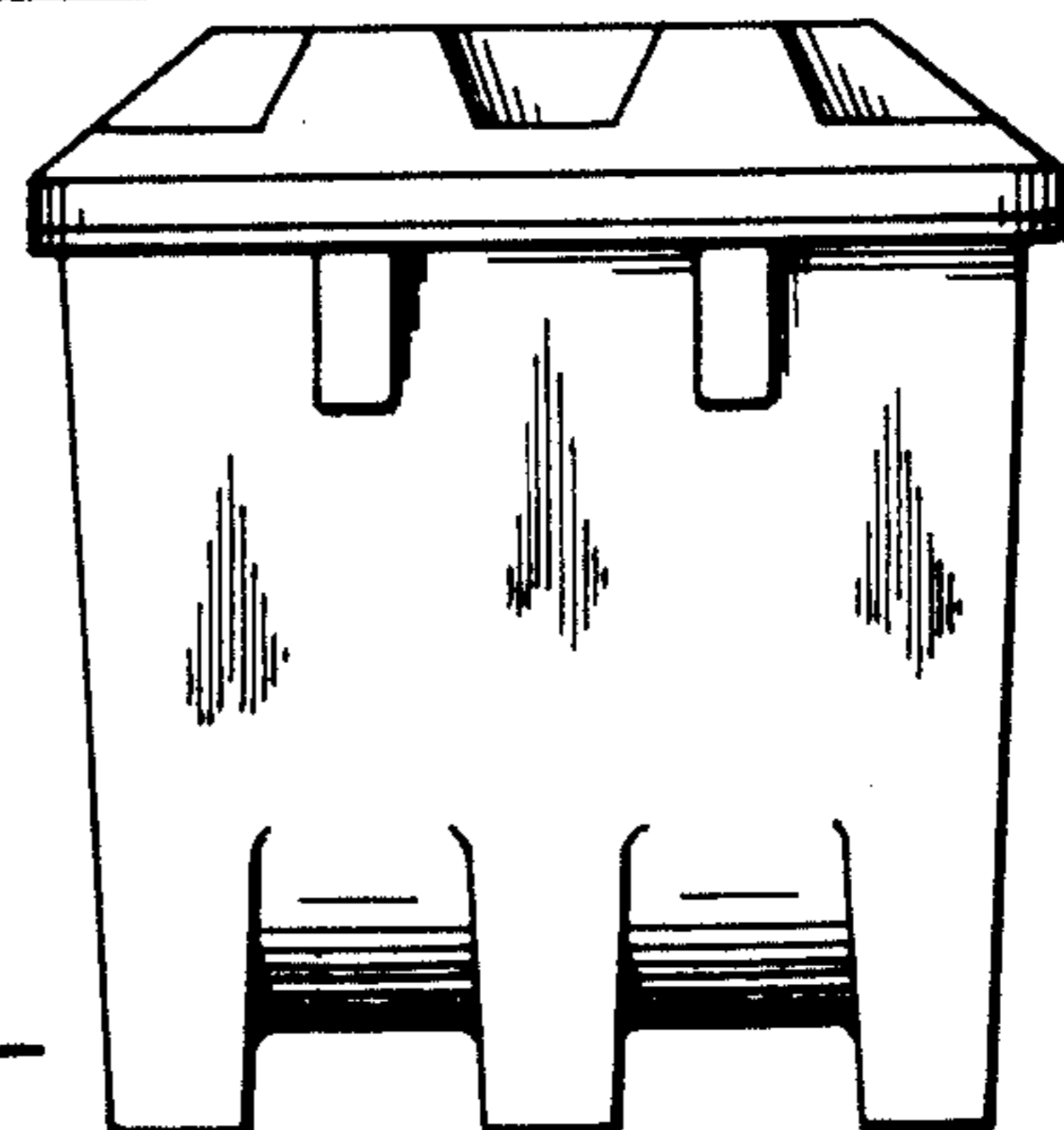


FIG. 7