

[54] CORNER CLIP FOR CONNECTING CEILING FRAME MEMBERS

[75] Inventor: Murray M. Win, Los Angeles, Calif.

[73] Assignee: Malcolite Corporation, Monterey Park, Calif.

[**] Term: 14 Years

[21] Appl. No.: 695,657

[22] Filed: Jun. 14, 1976

[51] Int. Cl. D8-08

[52] U.S. Cl. D8/373; D8/380; D8/383; D8/395

[58] Field of Search D8/371, 373, 403, 499, D8/349, 395, 394, 383, 380; 403/401, 402, 295, 231, 397; 52/489, 665

[56]

References Cited

U.S. PATENT DOCUMENTS

2,990,921	7/1961	Wilde	403/397
3,590,546	7/1971	Lambert	52/664
3,677,589	7/1972	Roles	52/665

Primary Examiner—Wallace R. Burke
Assistant Examiner—James M. Gandy
Attorney, Agent, or Firm—Wm. Jacquet Gribble

[57]

CLAIM

The ornamental design for a corner clip for connecting ceiling frame members, as shown.

DESCRIPTION

FIG. 1 is a front perspective view of a corner clip for connecting ceiling frame members, in inverted position, showing my new design; and FIG. 2 is a rear perspective view thereof.

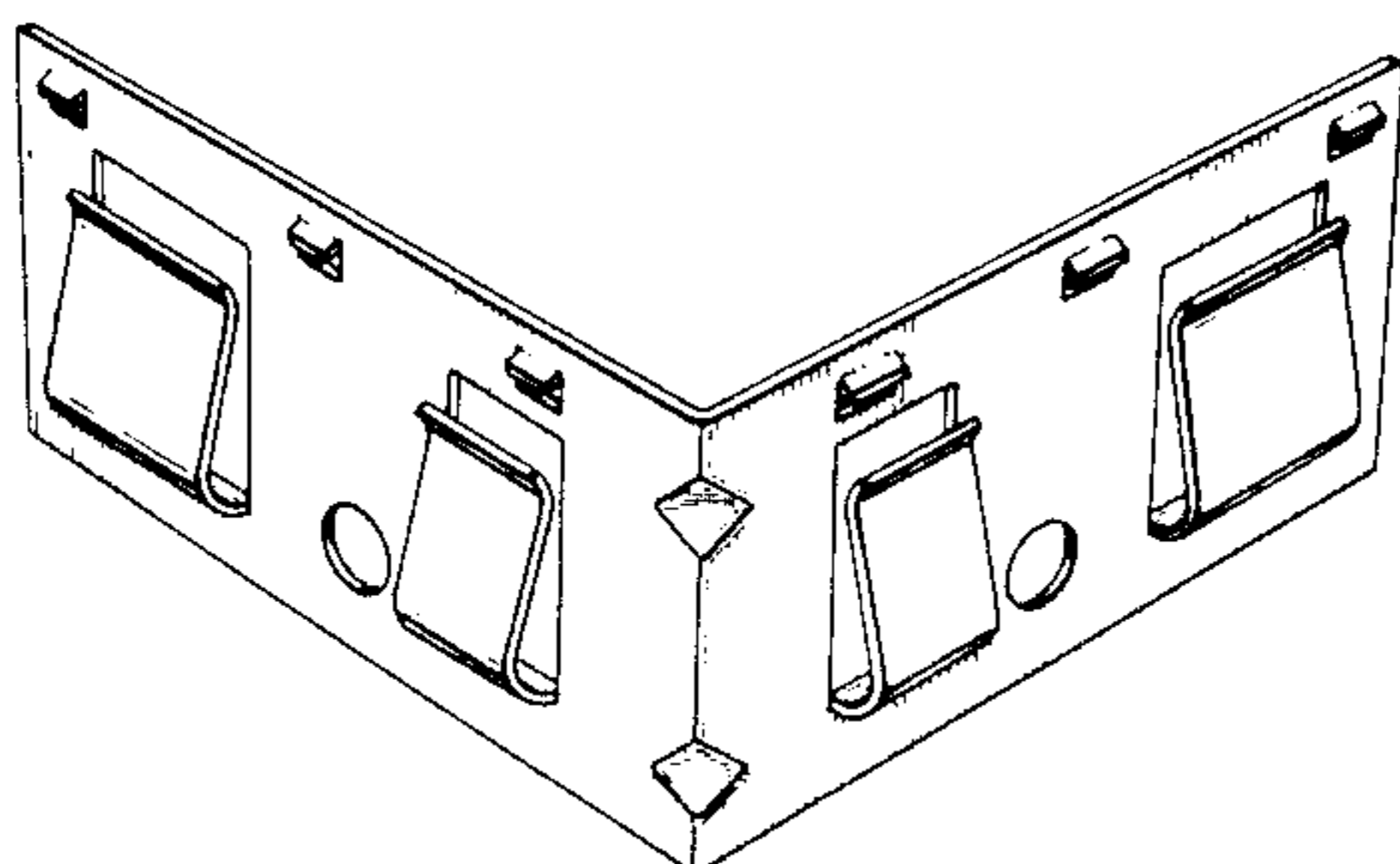


Fig. 1.

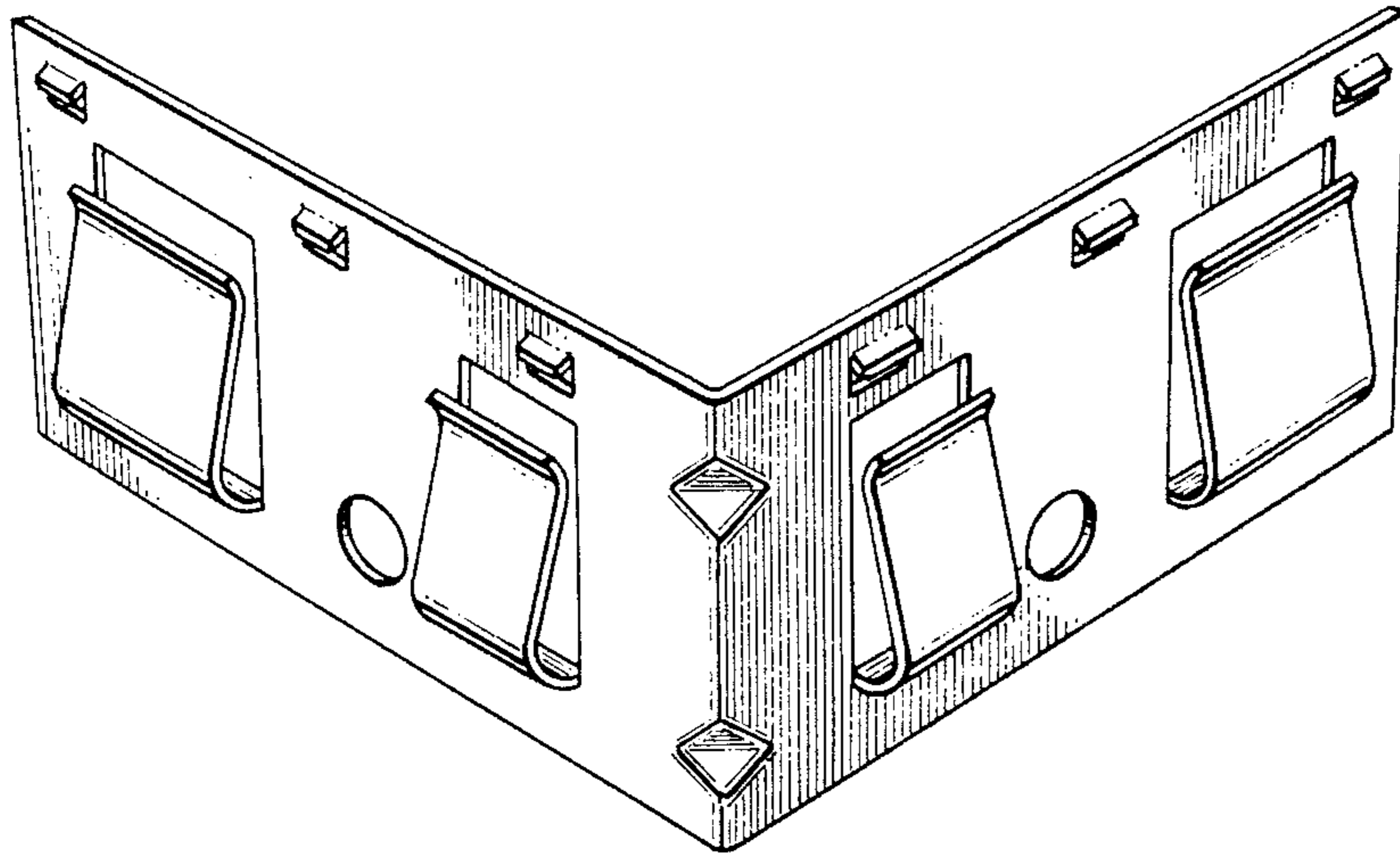


Fig. 2.

