

[54] BOAT MOORING HOOK

[76] Inventor: Robert Rensen, 3111 NE. 51 St., #102, Fort Lauderdale, Fla. 33308

[\*\*] Term: 14 Years

[21] Appl. No.: 720,197

[22] Filed: Sep. 3, 1976

[51] Int. Cl. .... D8-99

[52] U.S. Cl. .... D8/372; D8/367

[58] Field of Search ..... D12/70; D8/88, 89, 367, D8/372; 294/19 R, 24; 114/219, 220, 230, 221 R; 24/230.5 R, 230.5 LH, 230.5 CS, 230.5 TD

[56] References Cited

U.S. PATENT DOCUMENTS

D. 224,757	9/1972	Bolen	.....	D8/372
2,245,126	6/1941	Day	.....	24/230.5 R X
2,889,797	6/1959	Fox	.....	114/221R
3,040,693	6/1962	Bunker	.....	114/221 R

3,993,013 11/1976 Nunzato et al. .... 114/230 X

Primary Examiner—A. Hugo Word  
Attorney, Agent, or Firm—Leslie M. Hansen

[57] CLAIM

The ornamental design for a boat mooring hook, as shown.

DESCRIPTION

FIG. 1 is a side view of a boat mooring hook embodying the present design therefor;

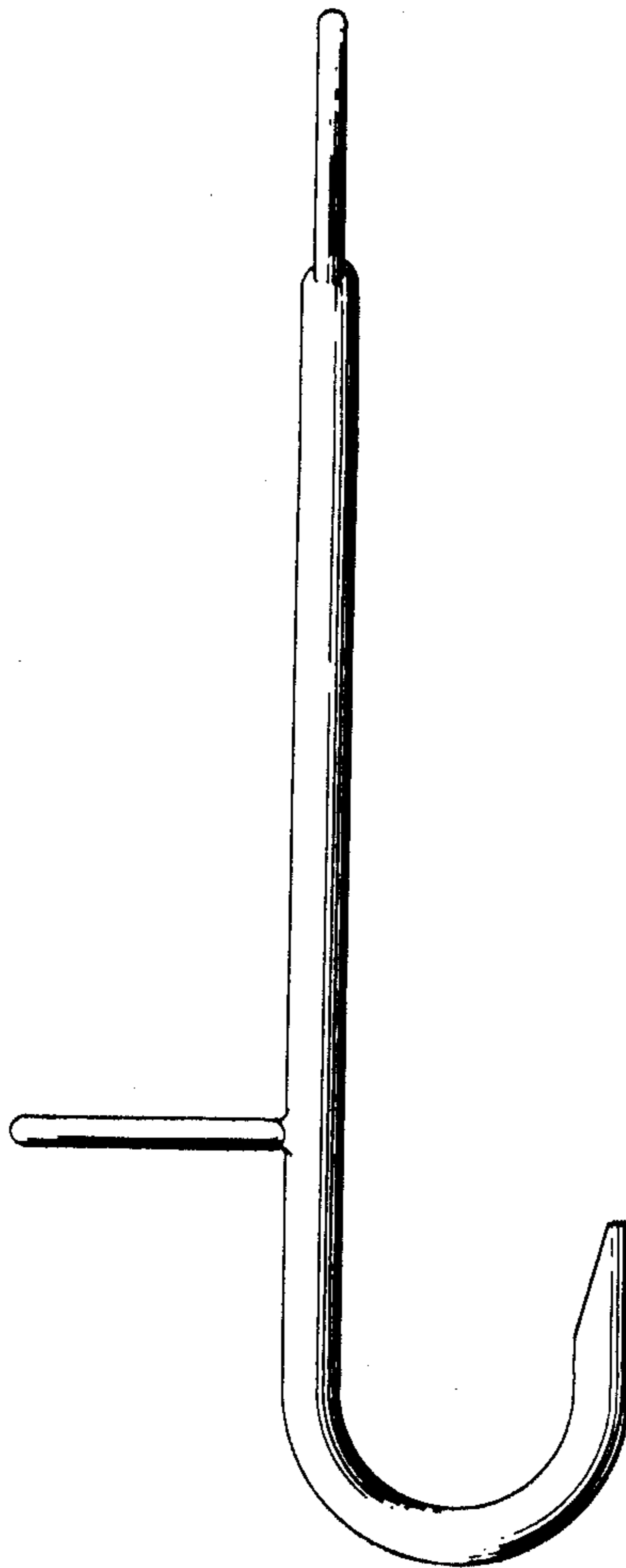
FIG. 2 is a front elevational view of a boat mooring hook as seen from the right-hand side of FIG. 1;

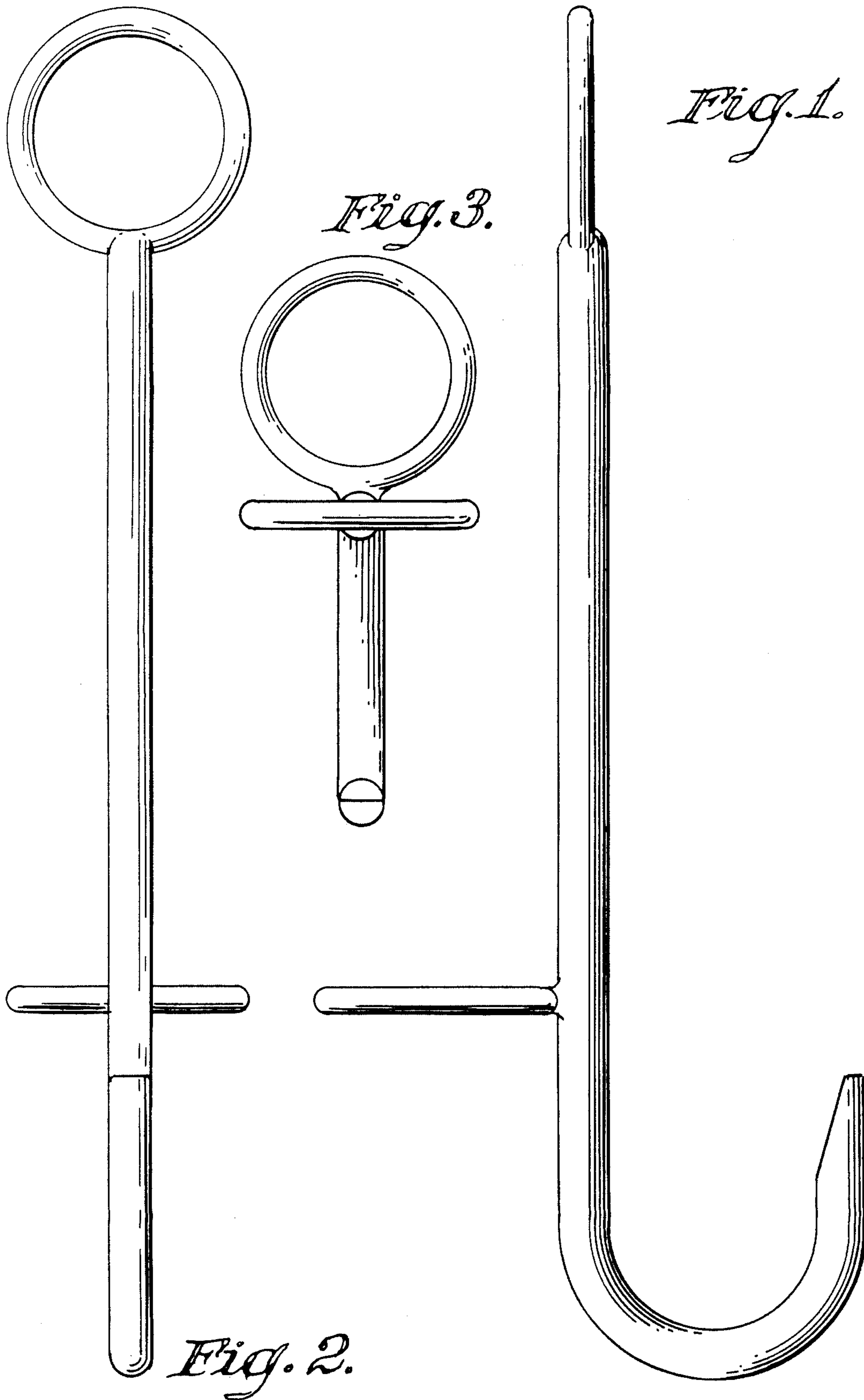
FIG. 3 is a top plan view of the same as seen from above in FIG. 2;

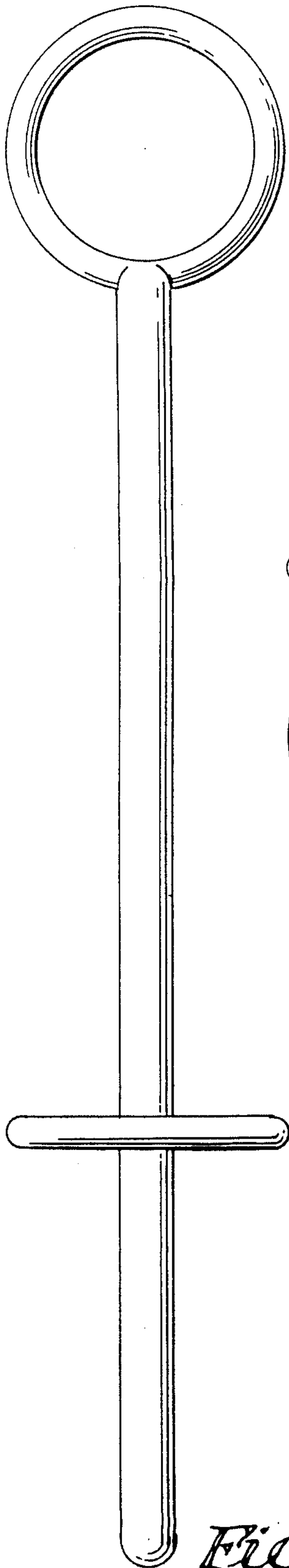
FIG. 4 is a back elevational view of a boat mooring hook as seen from the left-hand side of FIG. 1;

FIG. 5 is a perspective view of a boat mooring hook, showing the back and side opposite to that of FIGS. 1 and 2 from an angle of about 45°; and

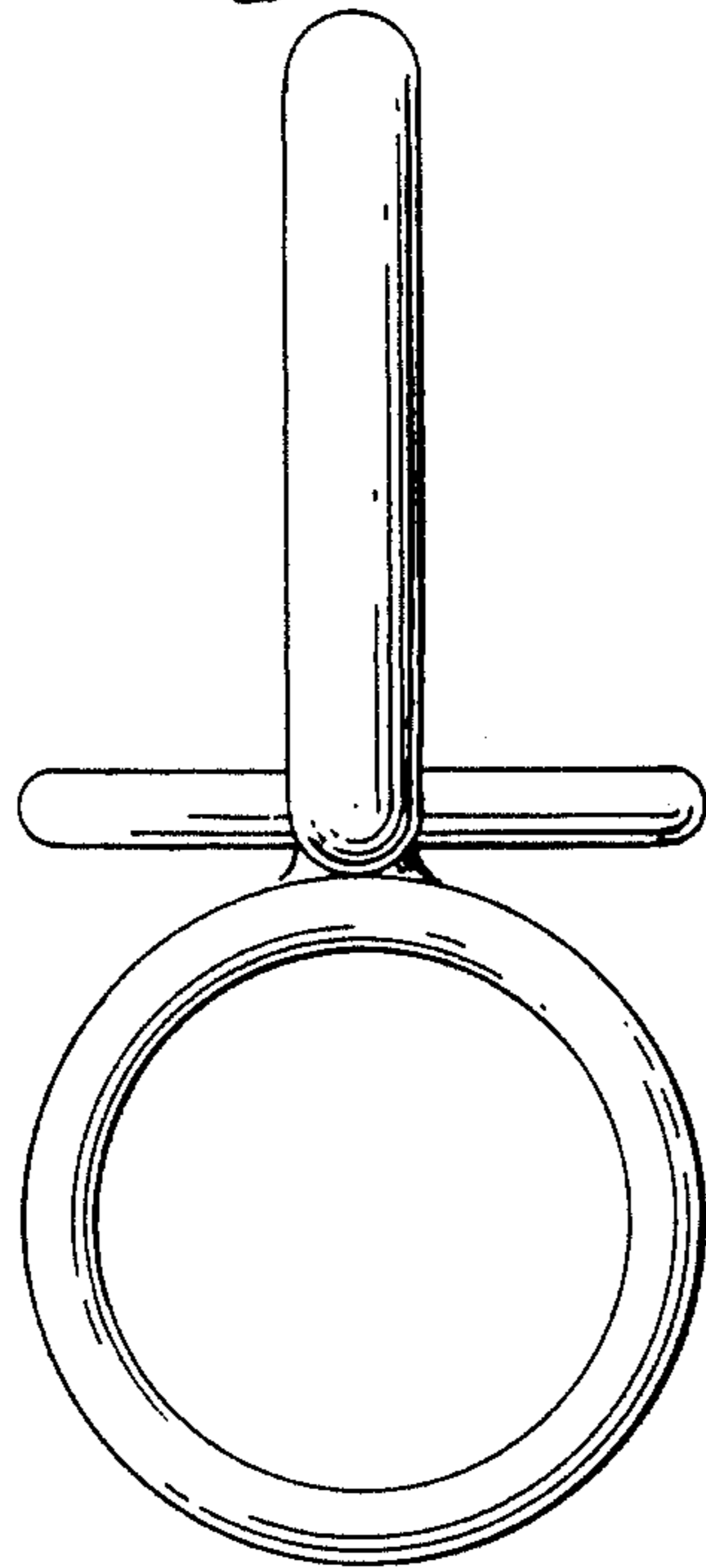
FIG. 6 is a bottom plan view of a boat mooring hook looking upward from below in FIG. 2.



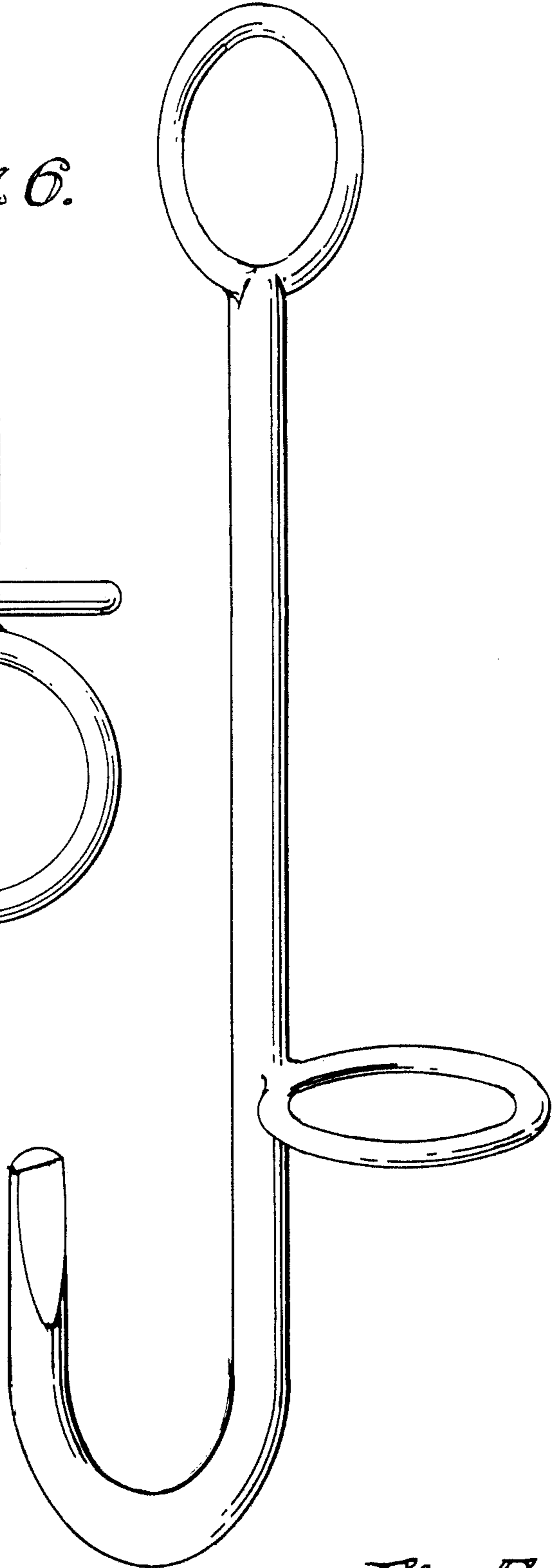




*Fig. 4.*



*Fig. 6.*



*Fig. 5.*