

[54] BOWL

[75] Inventor: Hubert E. Christian, Phoenix, Ariz.

[73] Assignee: Dart Industries Inc., Los Angeles, Calif.

[**] Term: 14 Years

[21] Appl. No.: 718,924

[22] Filed: Aug. 30, 1976

[51] Int. Cl. D7-01

[52] U.S. Cl. D7/23

[58] Field of Search D7/1, 3, 23, 16, 17,
D7/18, 19, 20, 21, 97, 85, 98, 27, 28; D30/16;
D9/220

[56]

References Cited

U.S. PATENT DOCUMENTS

D. 8,908	1/1876	Wiley	D7/85
D. 63,117	10/1923	Aymar	D7/17
D. 234,180	1/1975	Dart et al.	D7/23
3,051,303	8/1962	Daanen et al.	D7/17 X
3,307,602	3/1967	Boster	D7/17 X

Primary Examiner—Winifred E. Herrmann
Attorney, Agent, or Firm—Kenneth J. Hovet

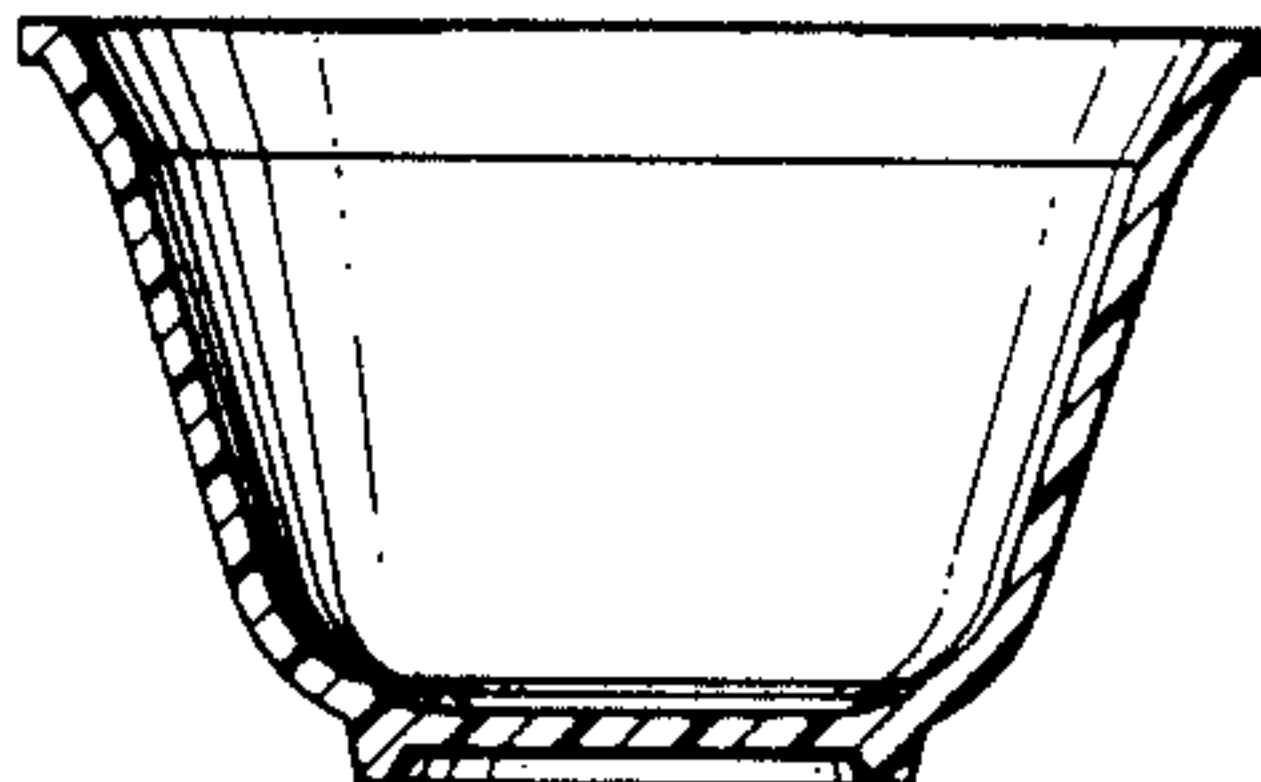
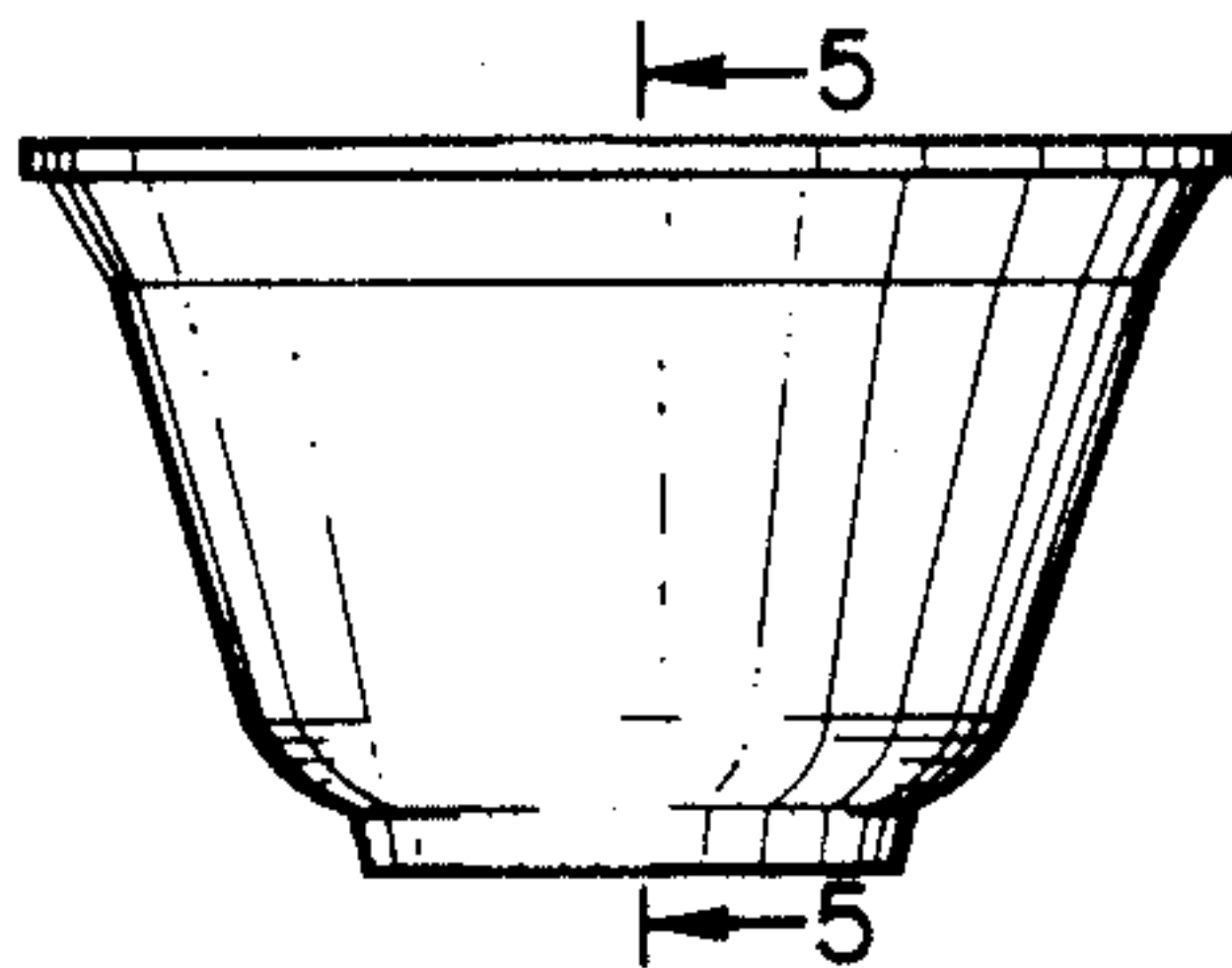
[57]

CLAIM

The ornamental design for a bowl, substantially as shown.

DESCRIPTION

FIG. 1 is a top perspective view of a bowl showing my new design;
FIG. 2 is a side elevation view thereof;
FIG. 3 is a top plan view thereof;
FIG. 4 is a bottom plan view thereof;
FIG. 5 is a cross-section taken along lines 5—5 of FIG. 2;



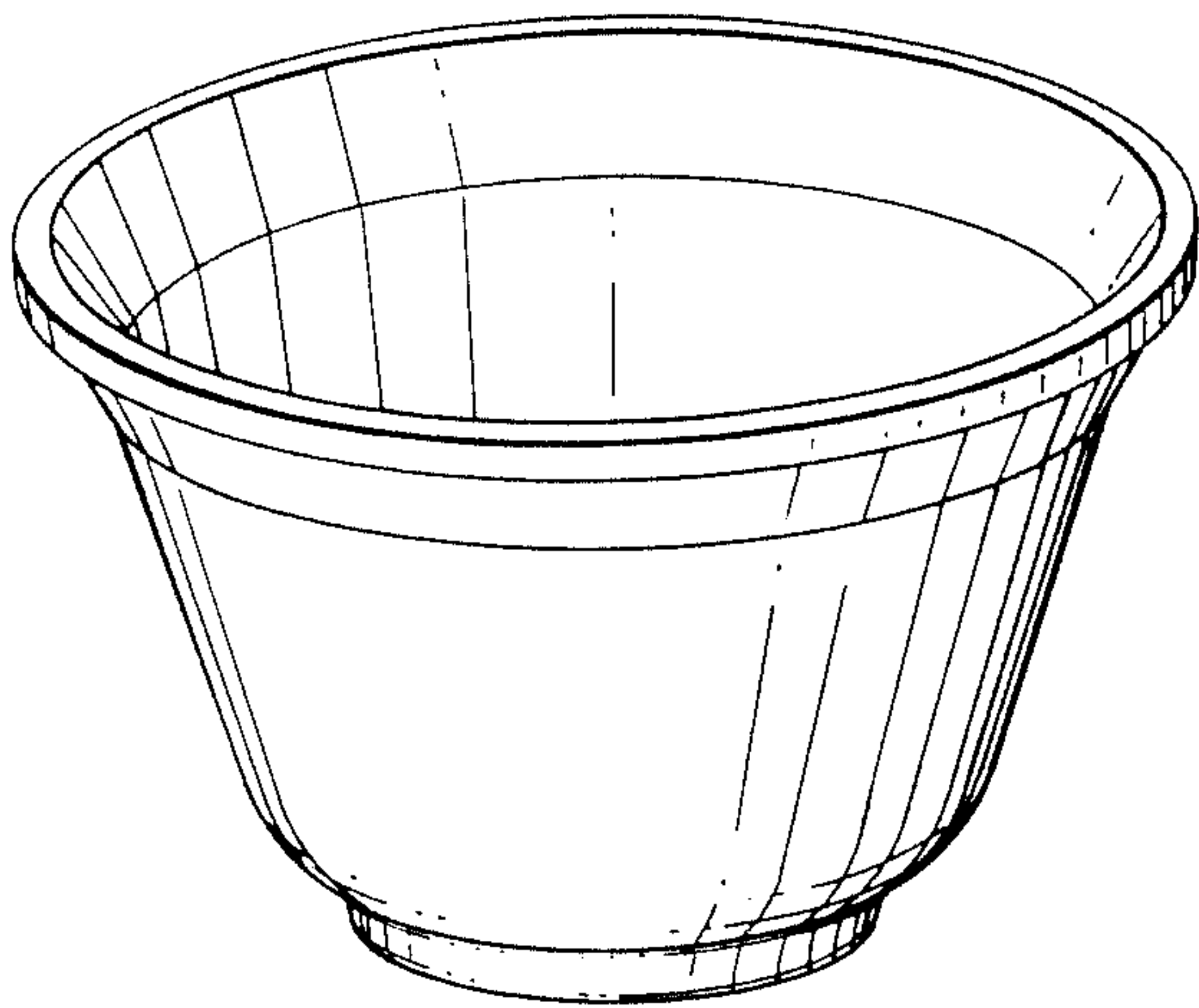


FIG. 1

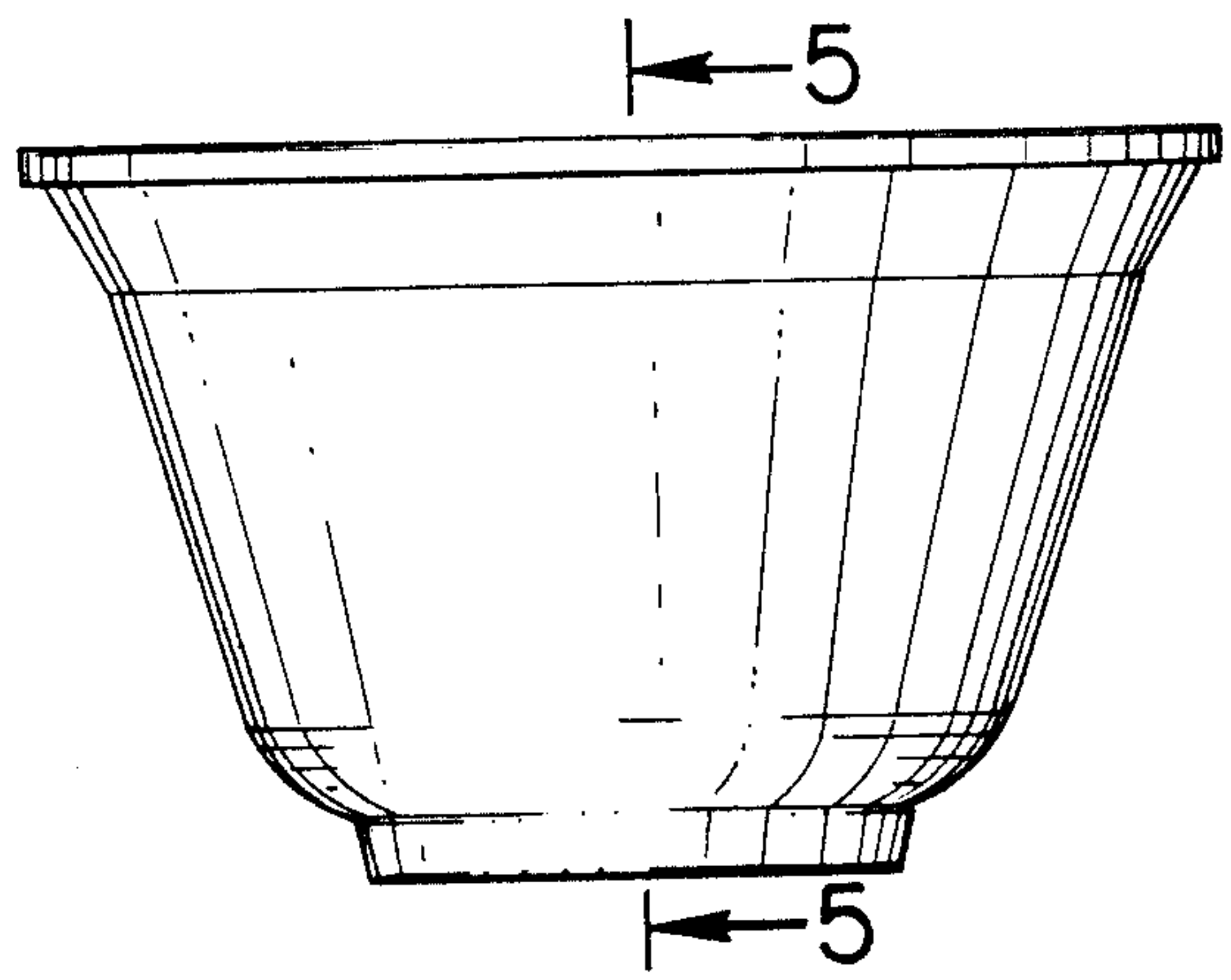


FIG. 2

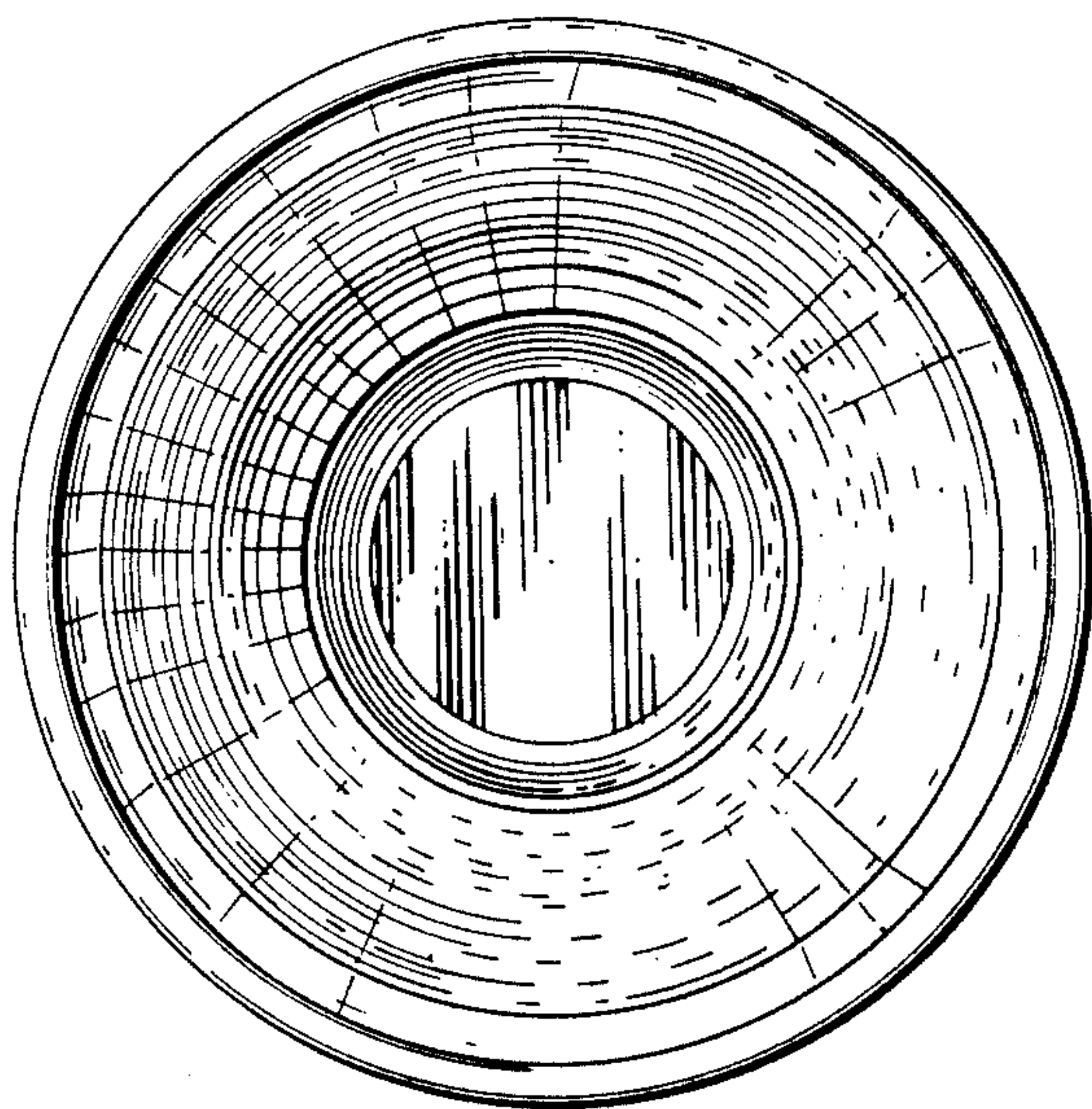


FIG. 3

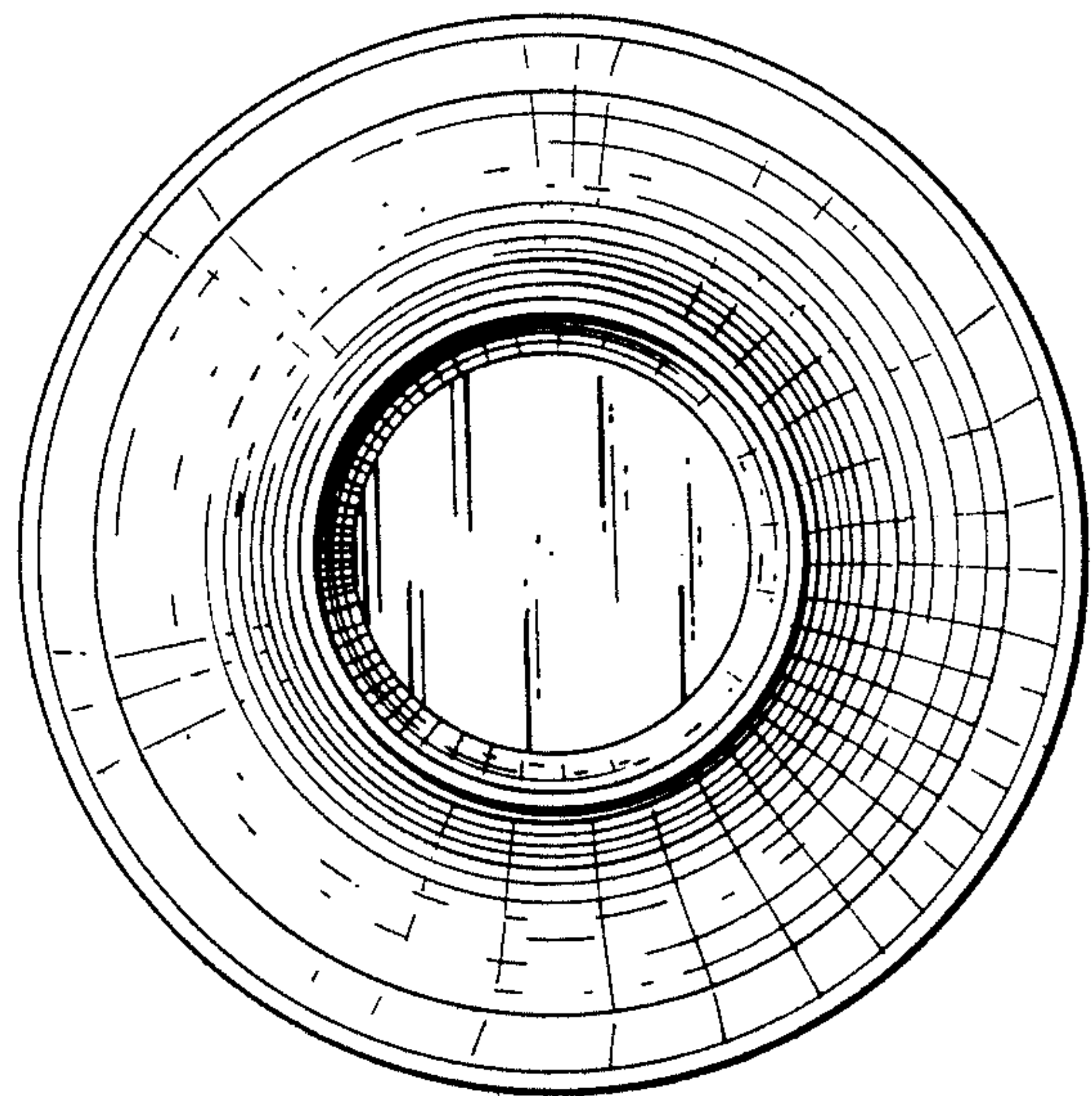


FIG. 4

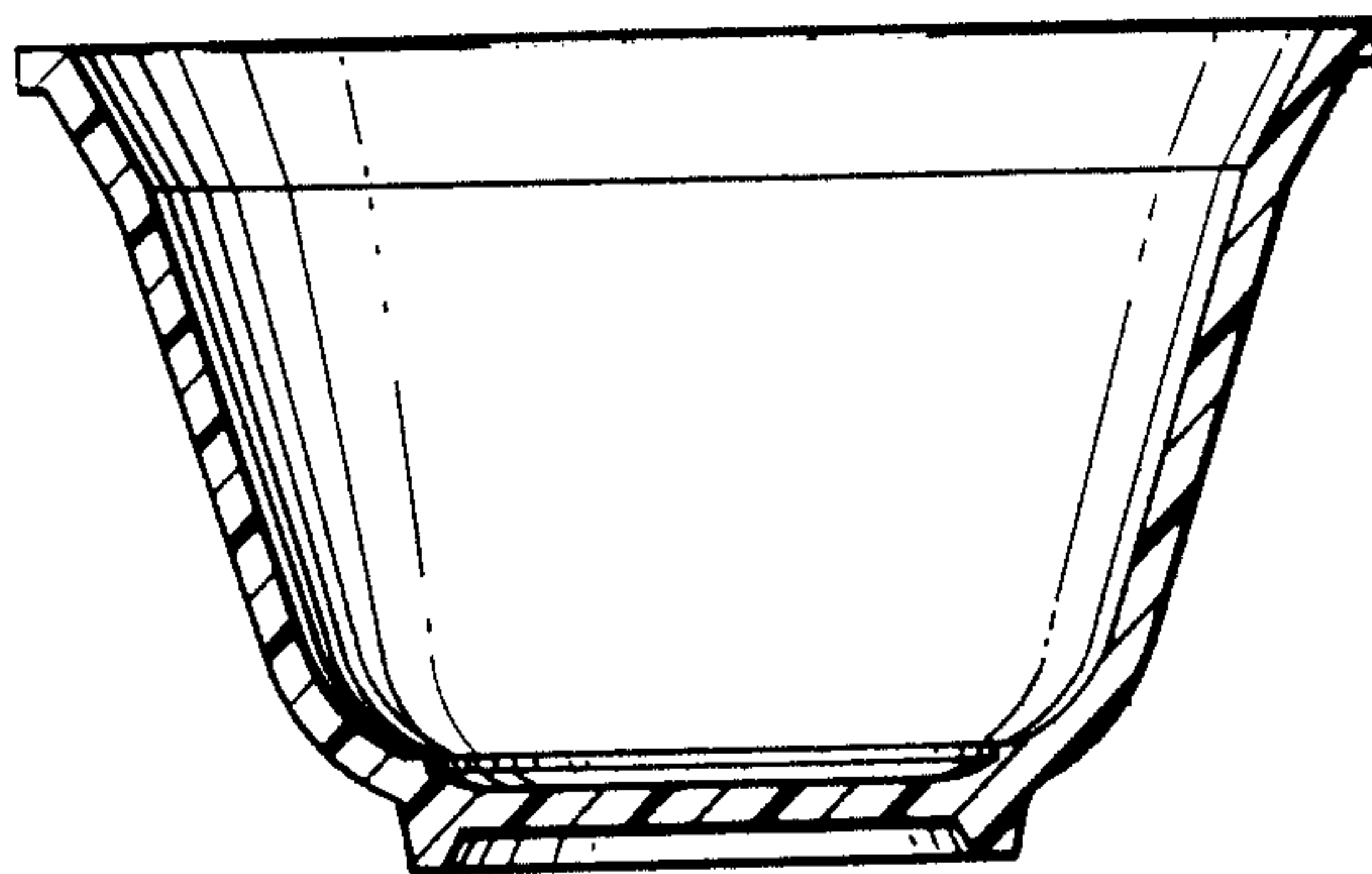


FIG. 5