

[54] BEVERAGE TUMBLER

[76] Inventor: Alan H. Simpson, 9401 Roberts Dr., NW., Apt. 35B, Atlanta, Ga. 30338

[**] Term: 14 Years

[21] Appl. No.: 744,686

[22] Filed: Nov. 24, 1976

[51] Int. Cl. D7-01

[52] U.S. Cl. D7/13; D7/15; D11/146

[58] Field of Search D7/6-15, D7/3, 70; D11/146; D9/216, 220

[56] References Cited

U.S. PATENT DOCUMENTS

D. 50,112	12/1916	Owens	D11/146
D. 50,276	2/1917	Kelley	D7/70
D. 136,684	11/1943	Kearney	D7/13
D. 167,667	9/1952	Babany	D7/15
D. 191,059	8/1961	Rennels	D7/71
D. 200,720	3/1965	Hennig	D11/146 X
2,049,645	8/1936	Fleckles	D11/146 X

2,143,027	1/1939	Perry	D7/13 X
2,585,445	2/1952	Dingeldein	D7/6 X

OTHER PUBLICATIONS

Home Furnishings Daily, Dec. 19, 1960, p. 11, top right panel-top right glass Lead Crystal by Heinz Wittur & Co.

Design, Jun. 1974, p. 26, Boda "Non-Tumble Tumbler, bottom middle panel.

Gifts & Decorative Accessories, Jul. 1975, p. 7, item #3536 "Eaton", Colony Adv., botton left Mug.

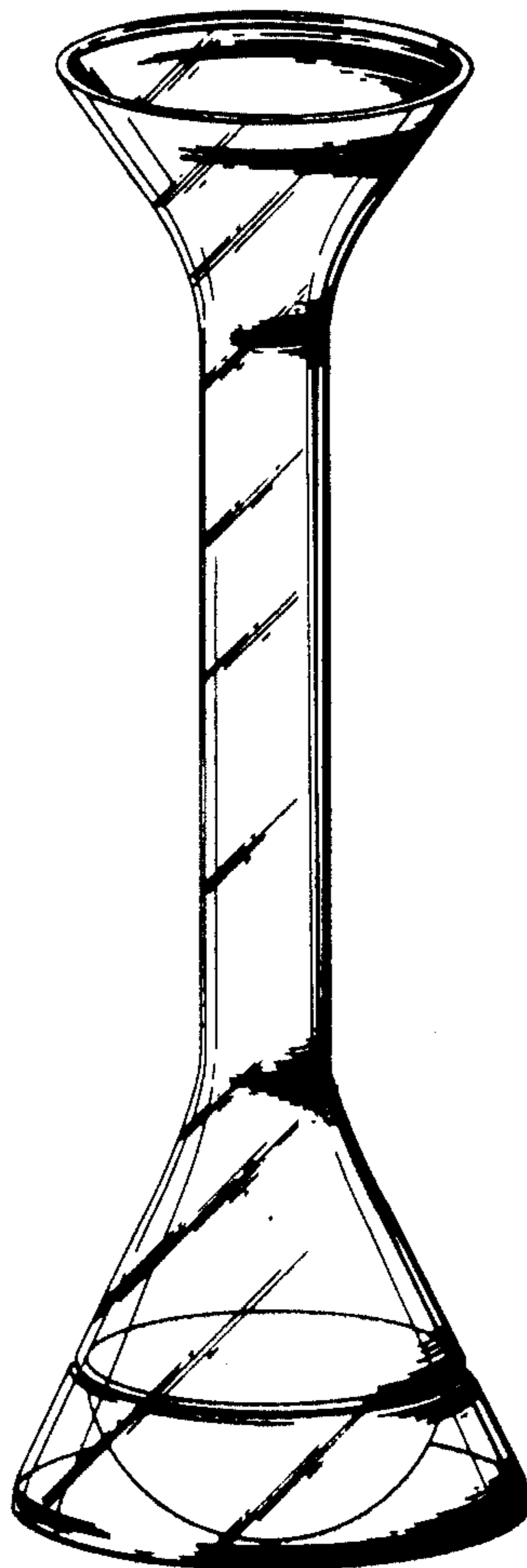
Primary Examiner—Winifred E. Herrmann
Attorney, Agent, or Firm—Harold D. Jones, Jr.

[57] CLAIM

The ornamental design for a beverage tumbler, substantially as shown.

DESCRIPTION

FIG. 1 is a perspective view of a beverage tumbler showing my new design;
FIG. 2 is a side view thereof;
FIG. 3 is a top plan view thereof;
FIG. 4 is a bottom plan view thereof.



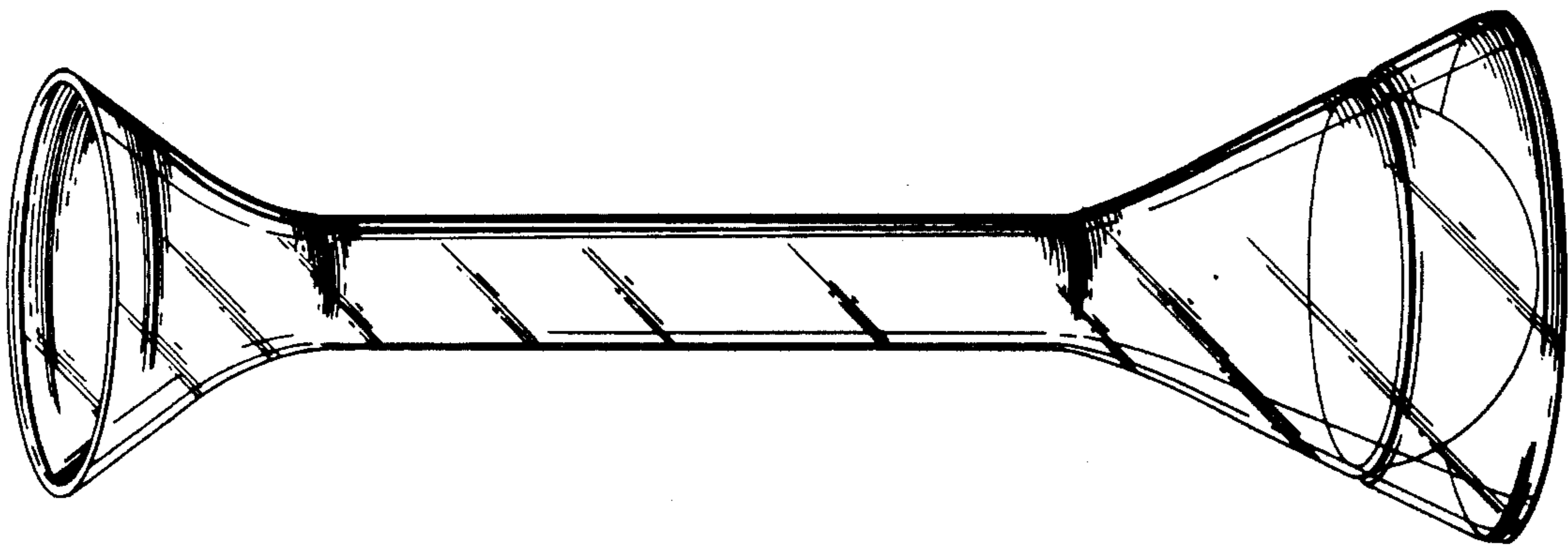


FIG 1

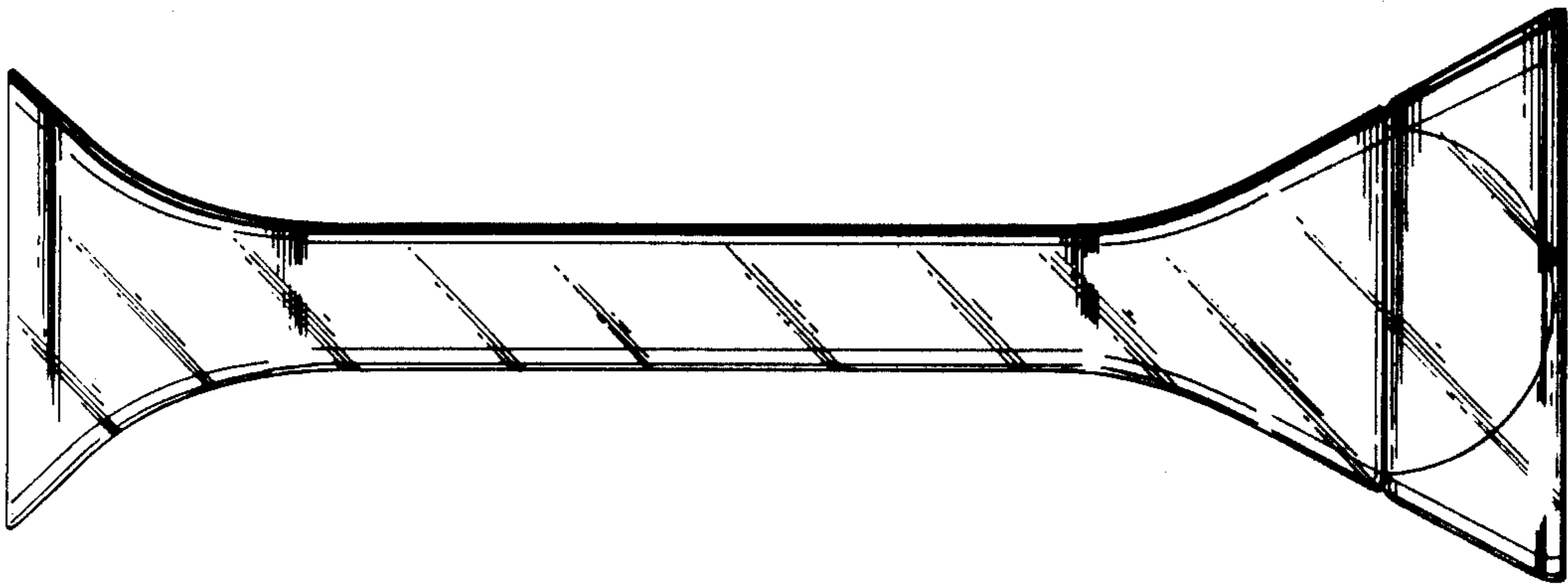


FIG 2

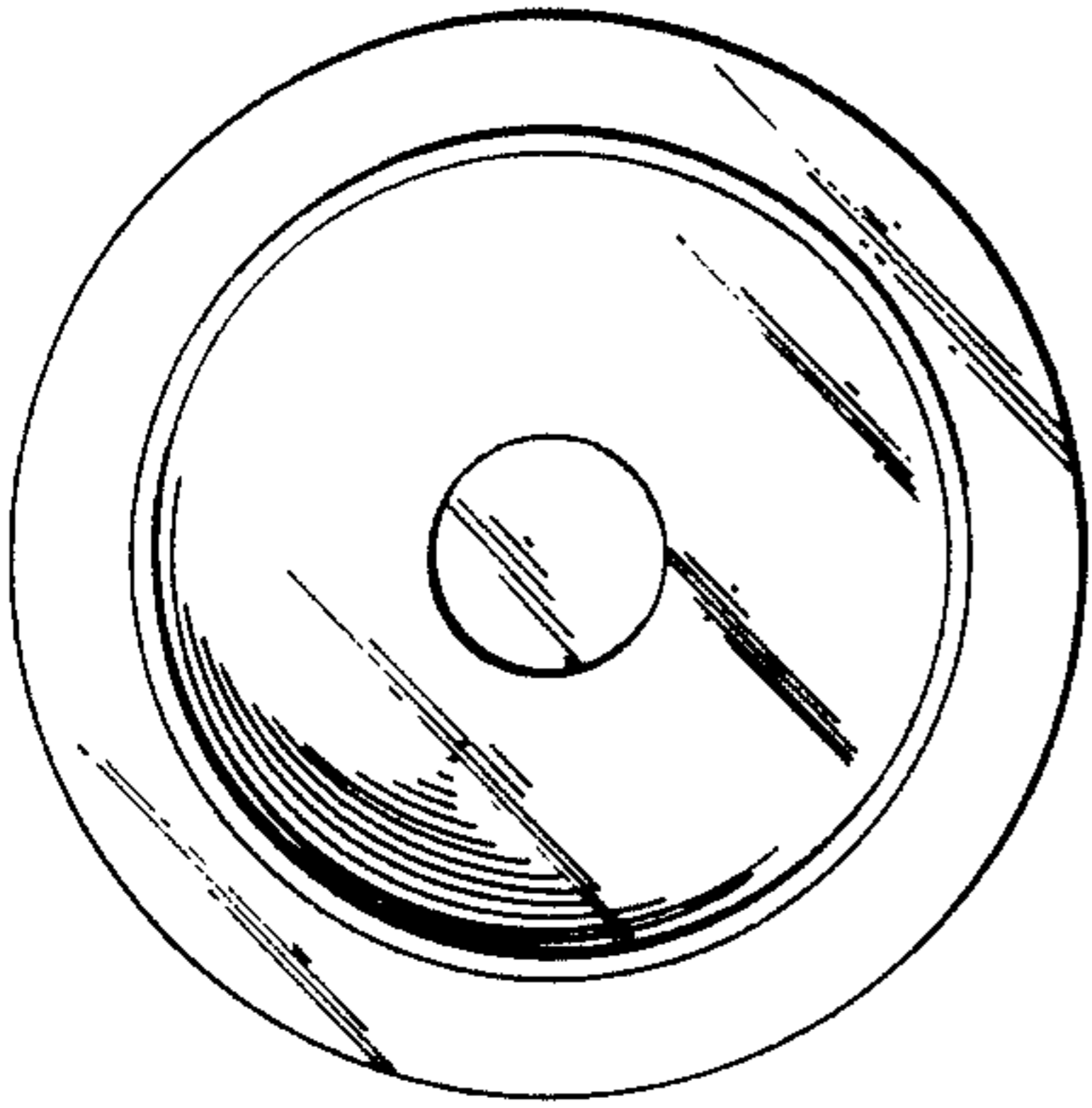


FIG 3

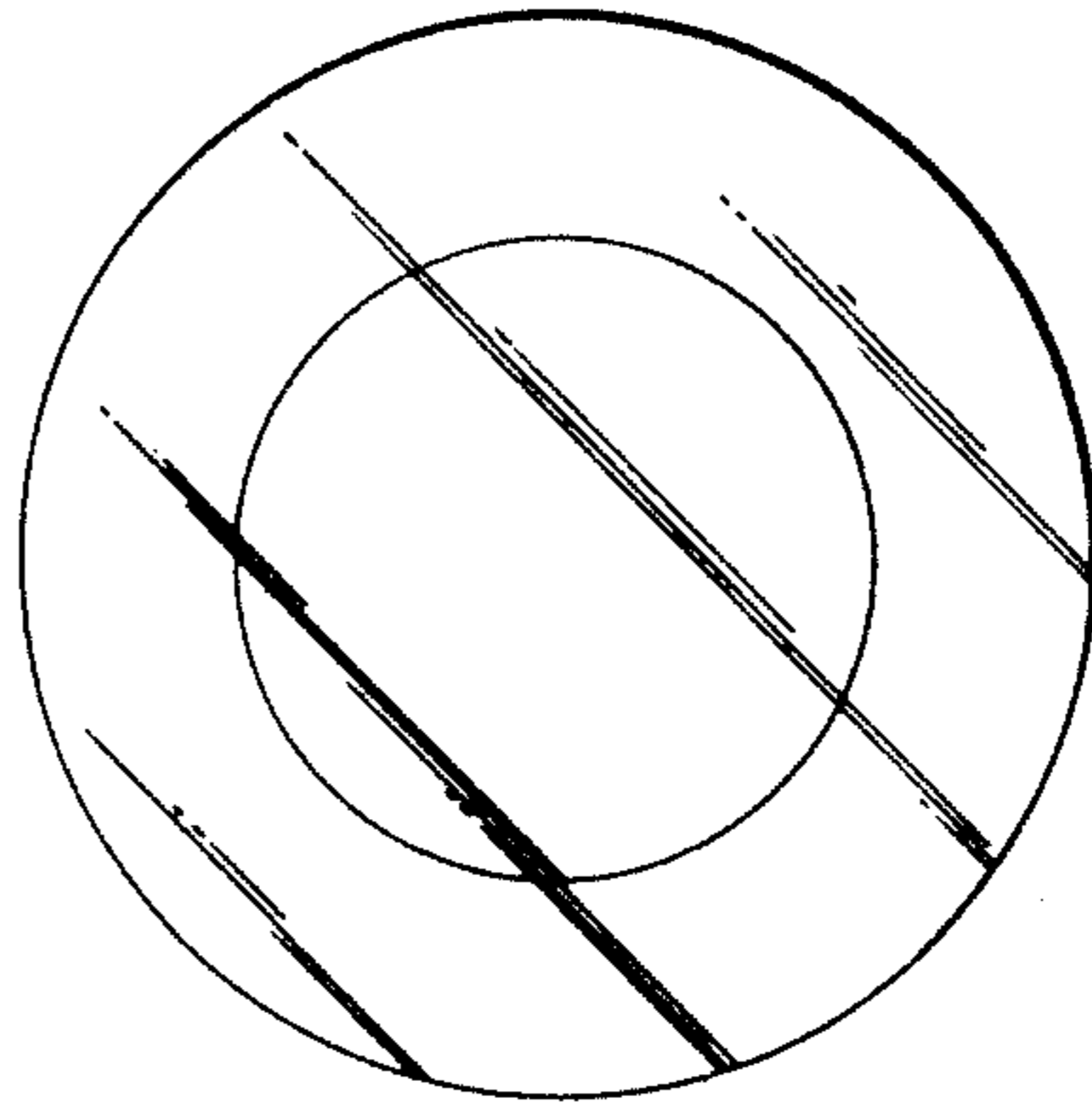


FIG 4