

[54] **TOILET TISSUE DISPENSER**

[76] **Inventor:** Tony Santaella, 25934 Matfield Dr.,
Torrance, Calif. 90505

[**] **Term:** 14 Years

[21] **Appl. No.:** 809,327

[22] **Filed:** Jun. 23, 1977

[51] **Int. Cl.** D23-02

[52] **U.S. Cl.** D6/97

[58] **Field of Search** D6/86, 89-92,
D6/94, 96, 97, 99-102, 114, 125, 130, 132, 136;
242/55.2, 55.3; 312/39, 41

[56] **References Cited**

U.S. PATENT DOCUMENTS

2,896,871 7/1959 Woodruff 242/55.3
3,374,042 3/1968 Smith 312/39

OTHER PUBLICATIONS

A.P.C. Application of Schiff, Ser. No. 81,737, pub.
5/25/1943.

Sweets's Architectural Catalog File 1975, sec.
10.16/Ac, p. 13, Tissue Dispenser AS 24 G.

Sweets's Architectural Catalog File 1975, sec.
10.16/Ac, p. 32, recess subframe (upper left).

Sweets's Architectural Catalog File 1975, sec.
10.16/Was, p. 19, recessed shelf w-1330.

Primary Examiner—Wallace R. Burke
Assistant Examiner—B. J. Bullock
Attorney, Agent, or Firm—J. B. McGuire

[57] **CLAIM**

The ornamental design for a toilet tissue dispenser, as
shown and described.

DESCRIPTION

FIG. 1 is a reduced perspective view of a toilet tissue
dispenser showing my new design;

FIG. 2 is a side elevational view of FIG. 1;

FIG. 3 is a front elevational view of FIG. 1;

FIG. 4 is a rear elevational view of FIG. 1;

FIG. 5 is a top plan view of FIG. 1;

FIG. 6 is a bottom plan view of FIG. 1;

FIG. 7 is a reduced perspective view of a second em-
bodiment of the design of FIG. 1, the only difference
being the insertion of the toilet tissue dispenser into a
frame to allow the use of said dispenser in a recessed
position;

FIG. 8 is a front elevational view of FIG. 7;

FIG. 9 is a rear elevational view of FIG. 7;

FIG. 10 is a bottom plan view of FIG. 7.

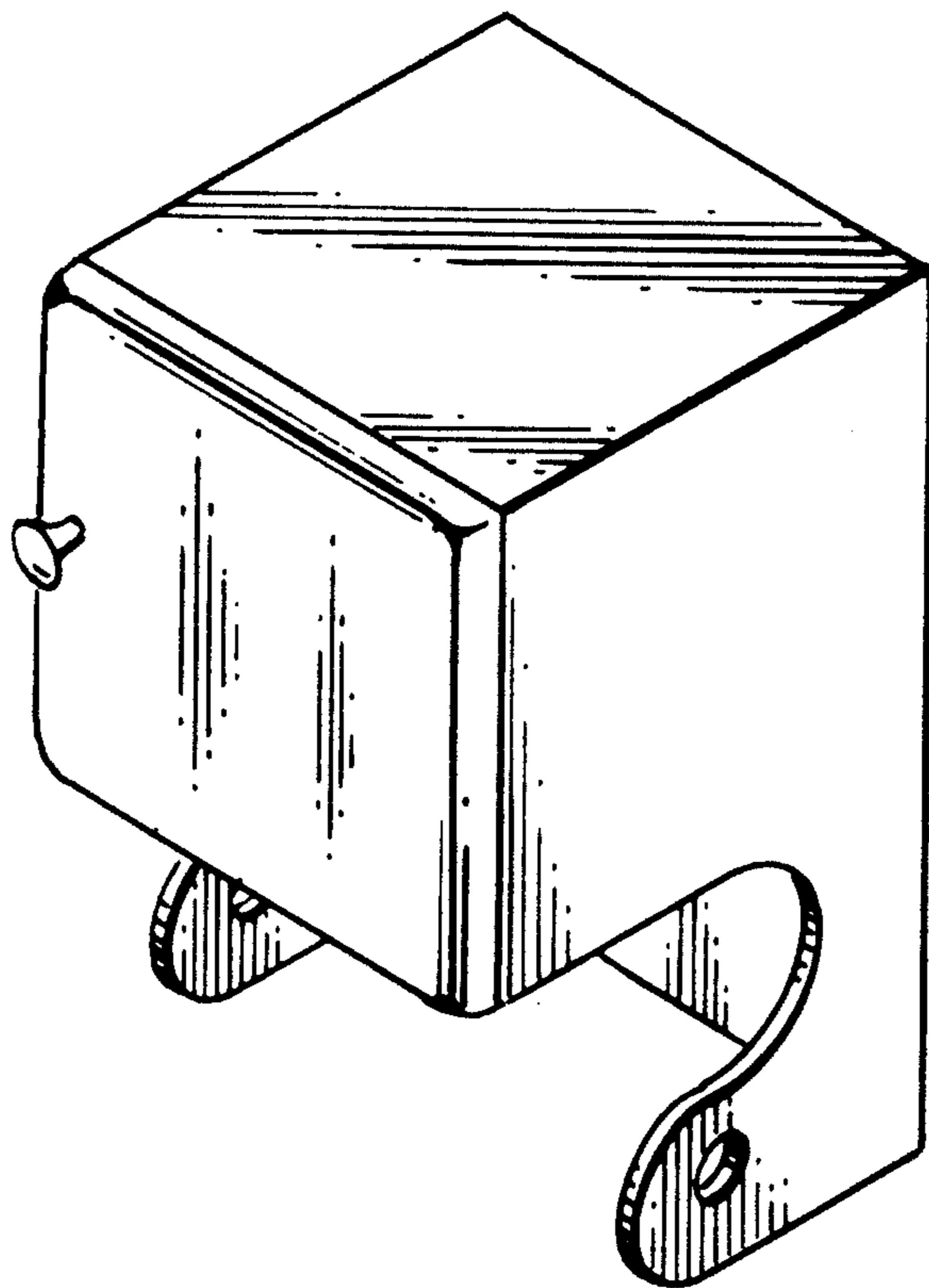


FIG. 1

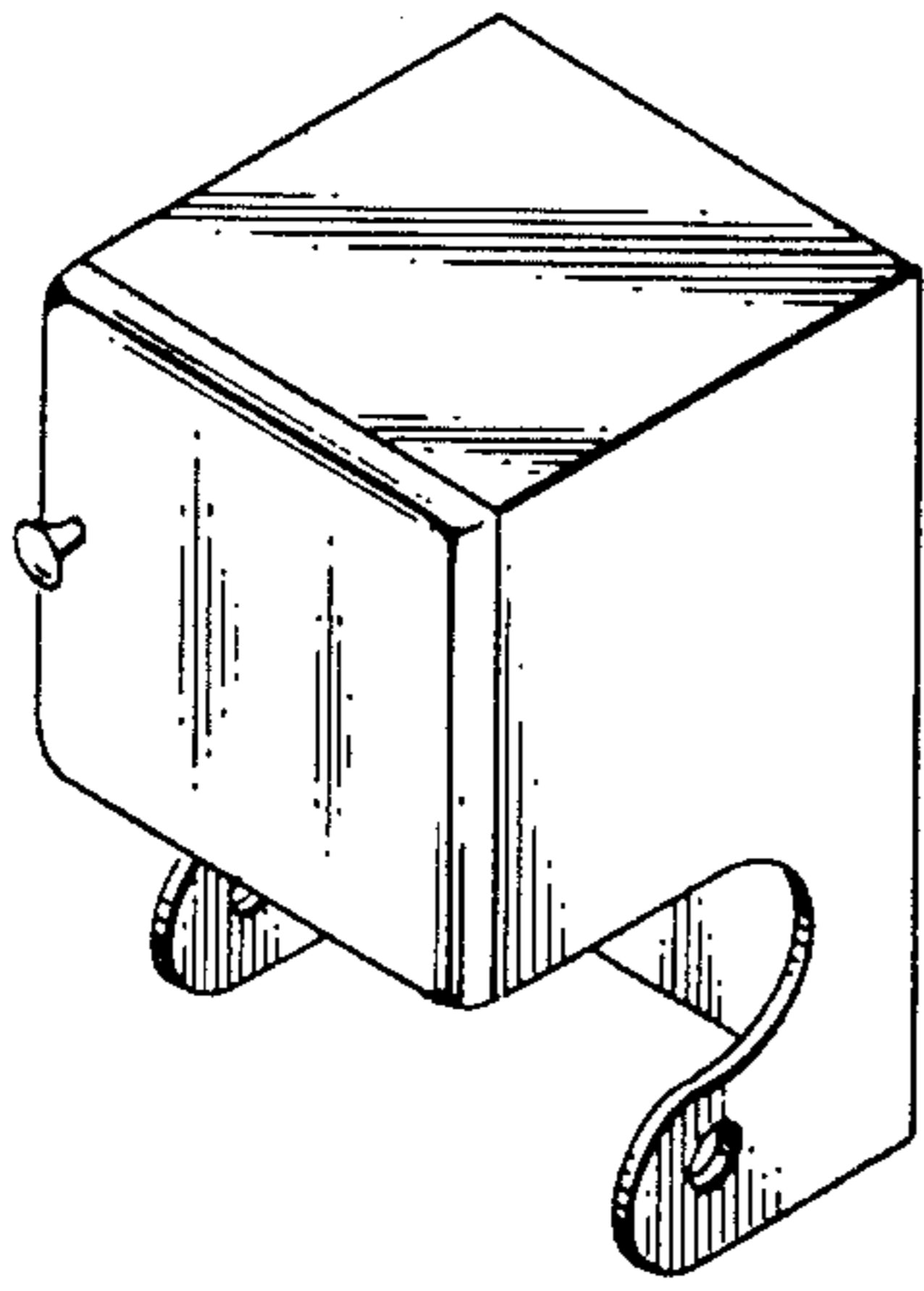


FIG. 2

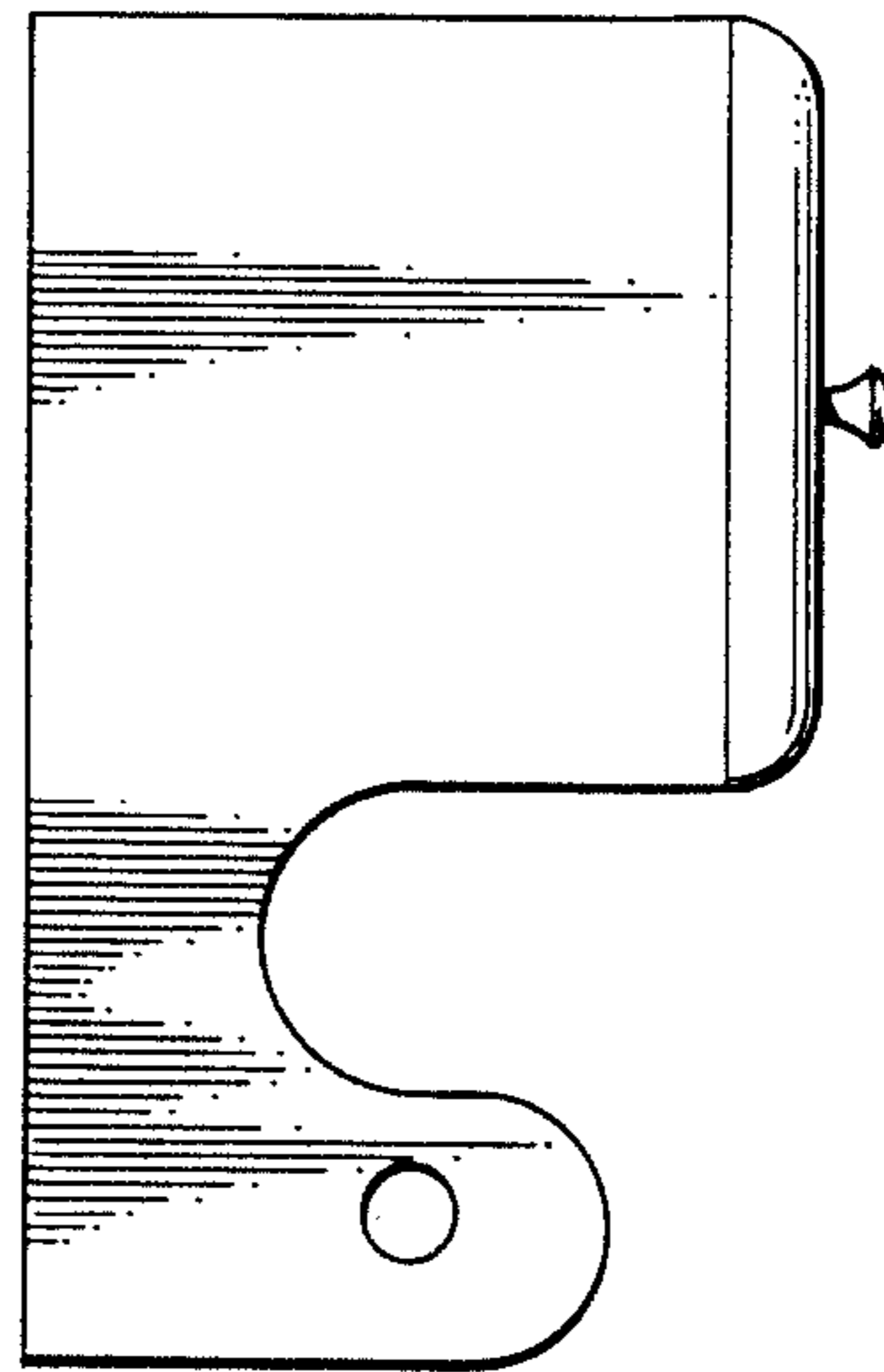


FIG. 3

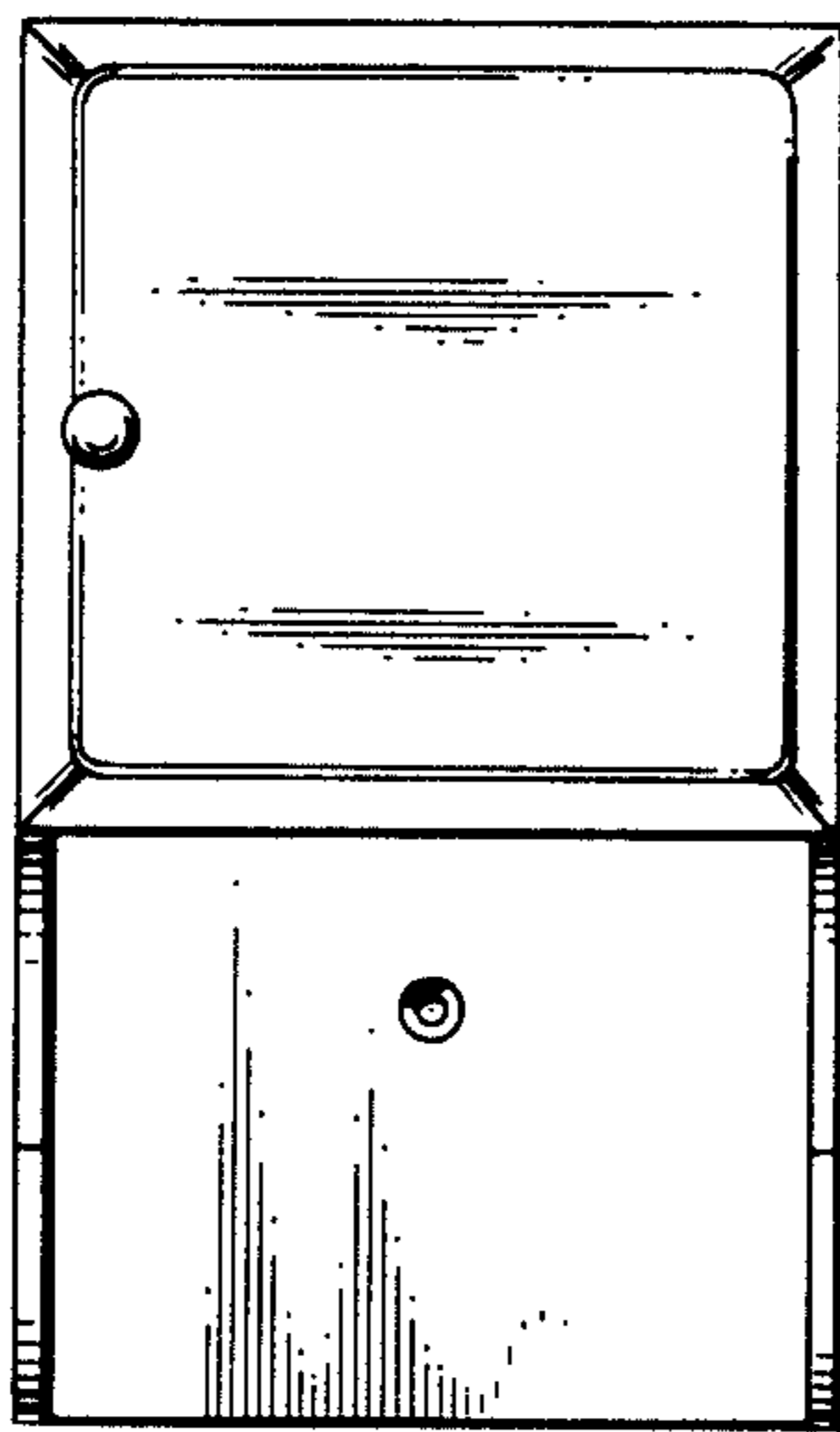


FIG. 4

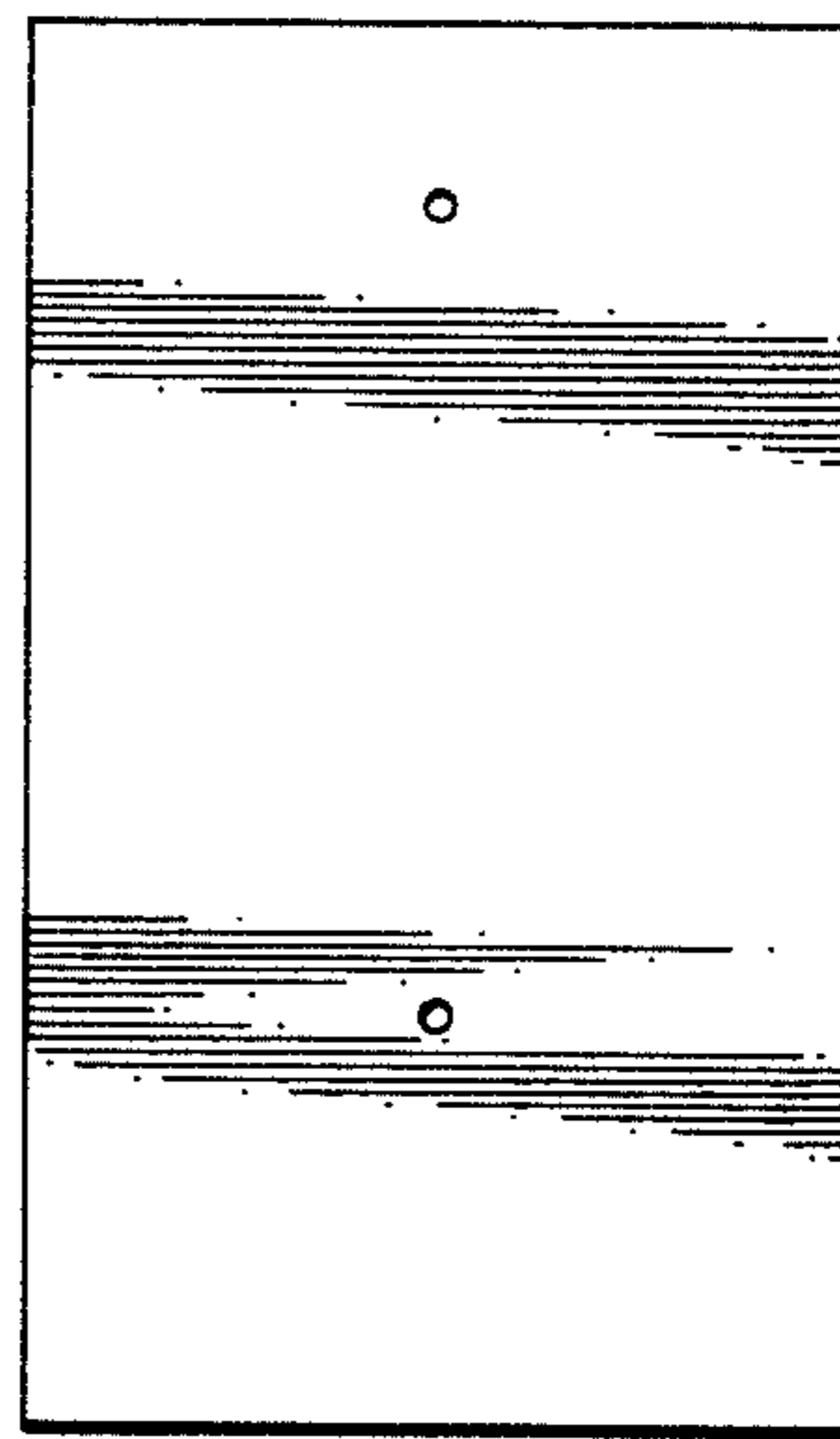


FIG. 5

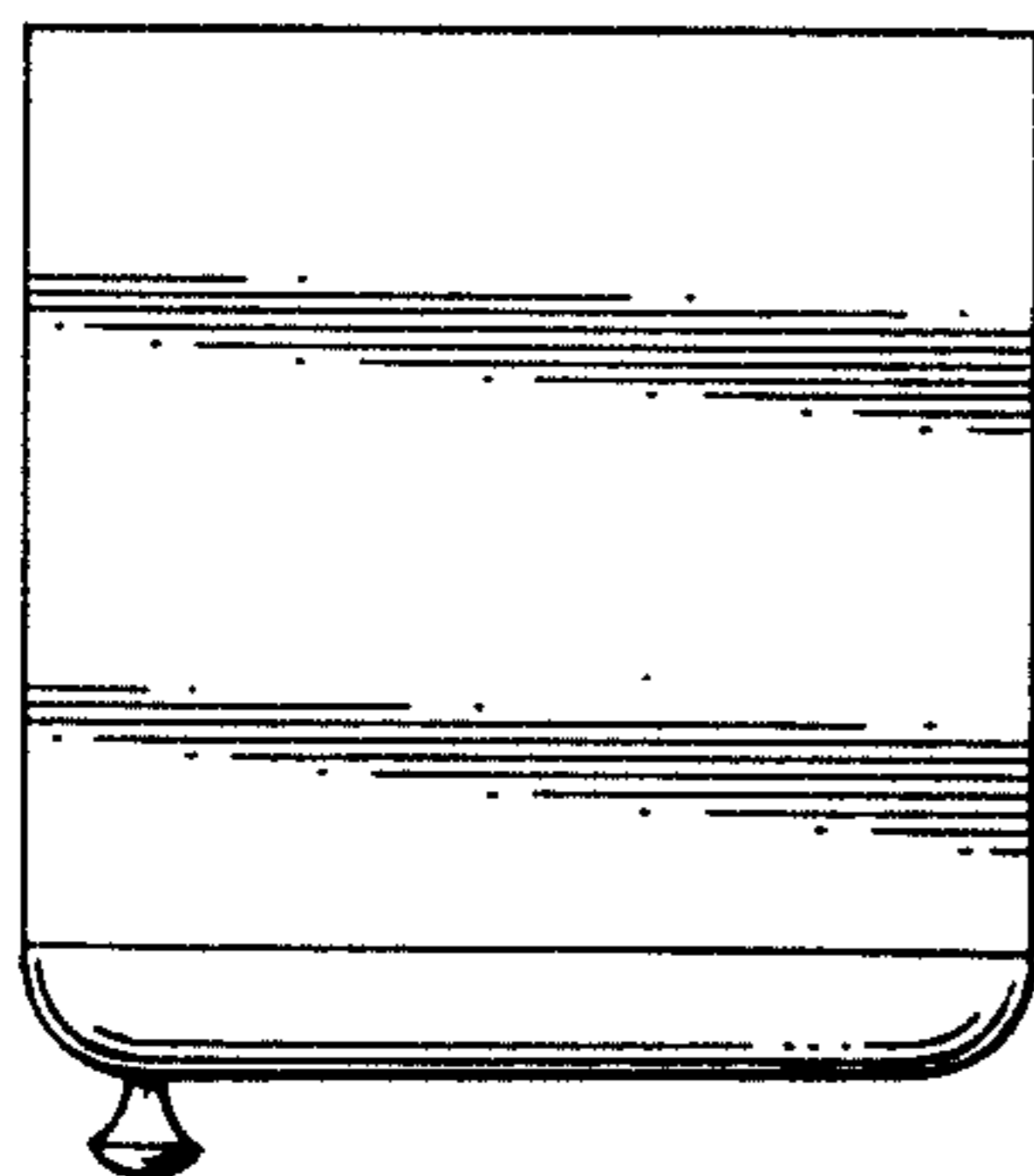


FIG. 6

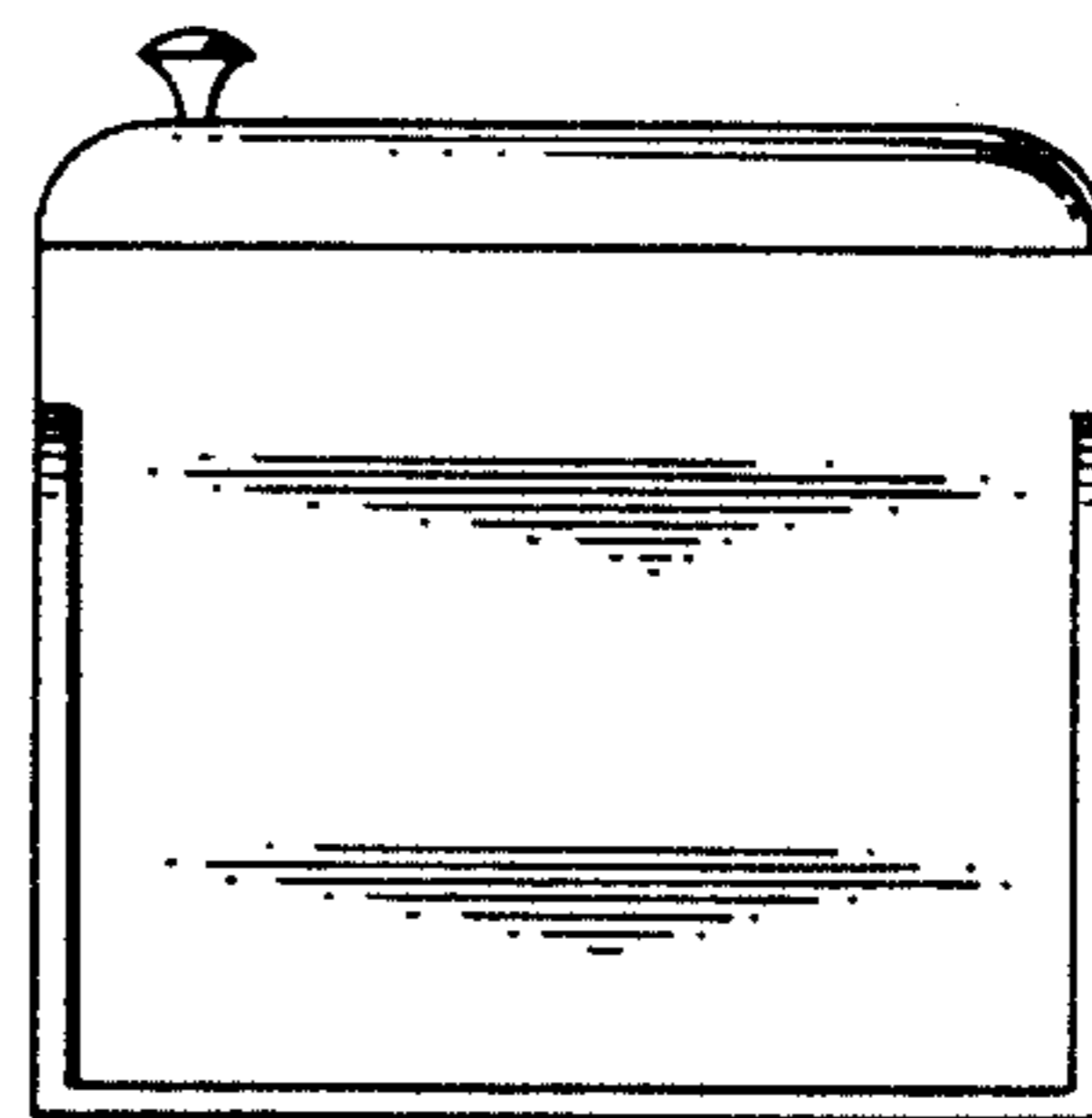


FIG. 7

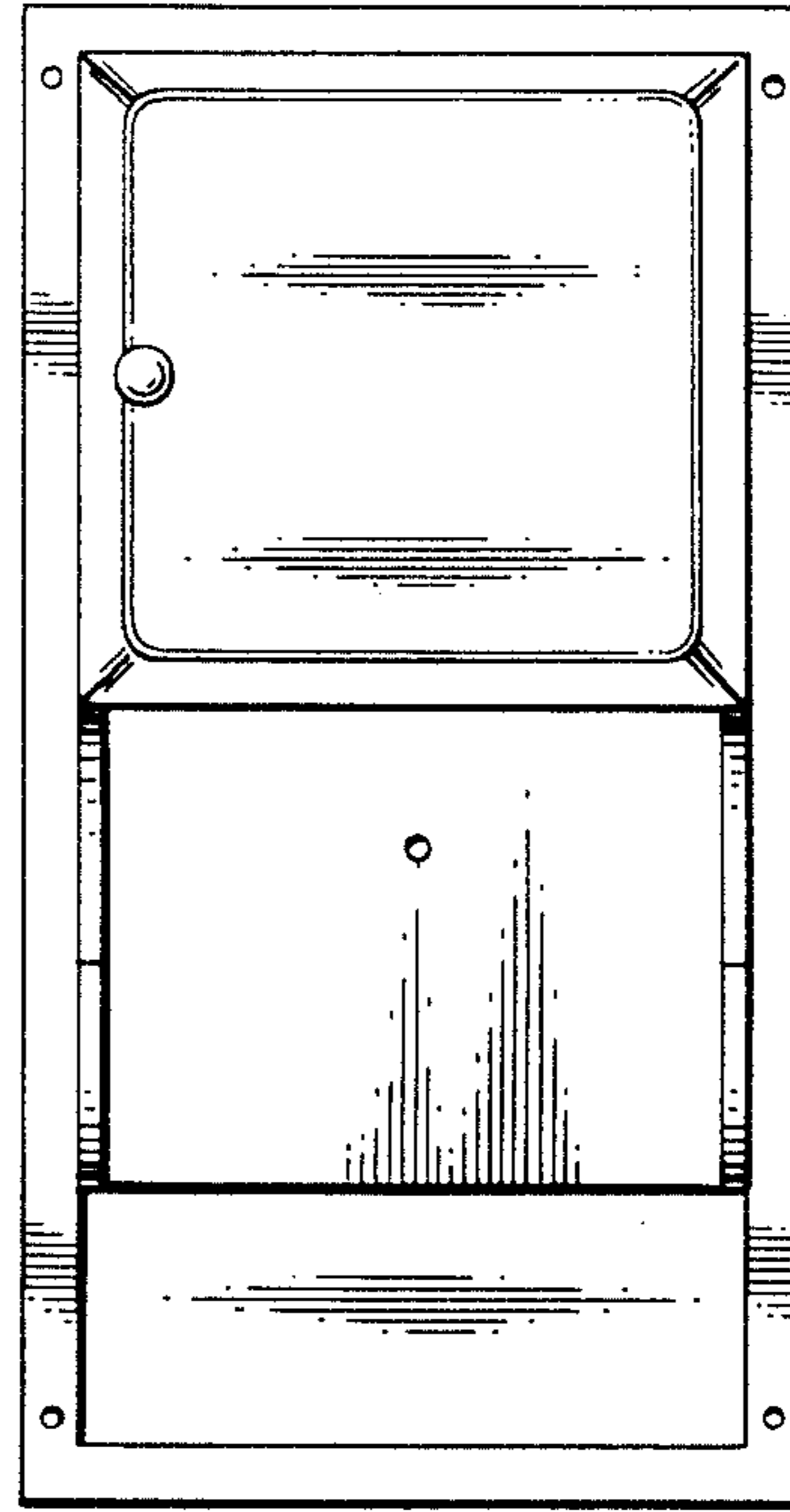
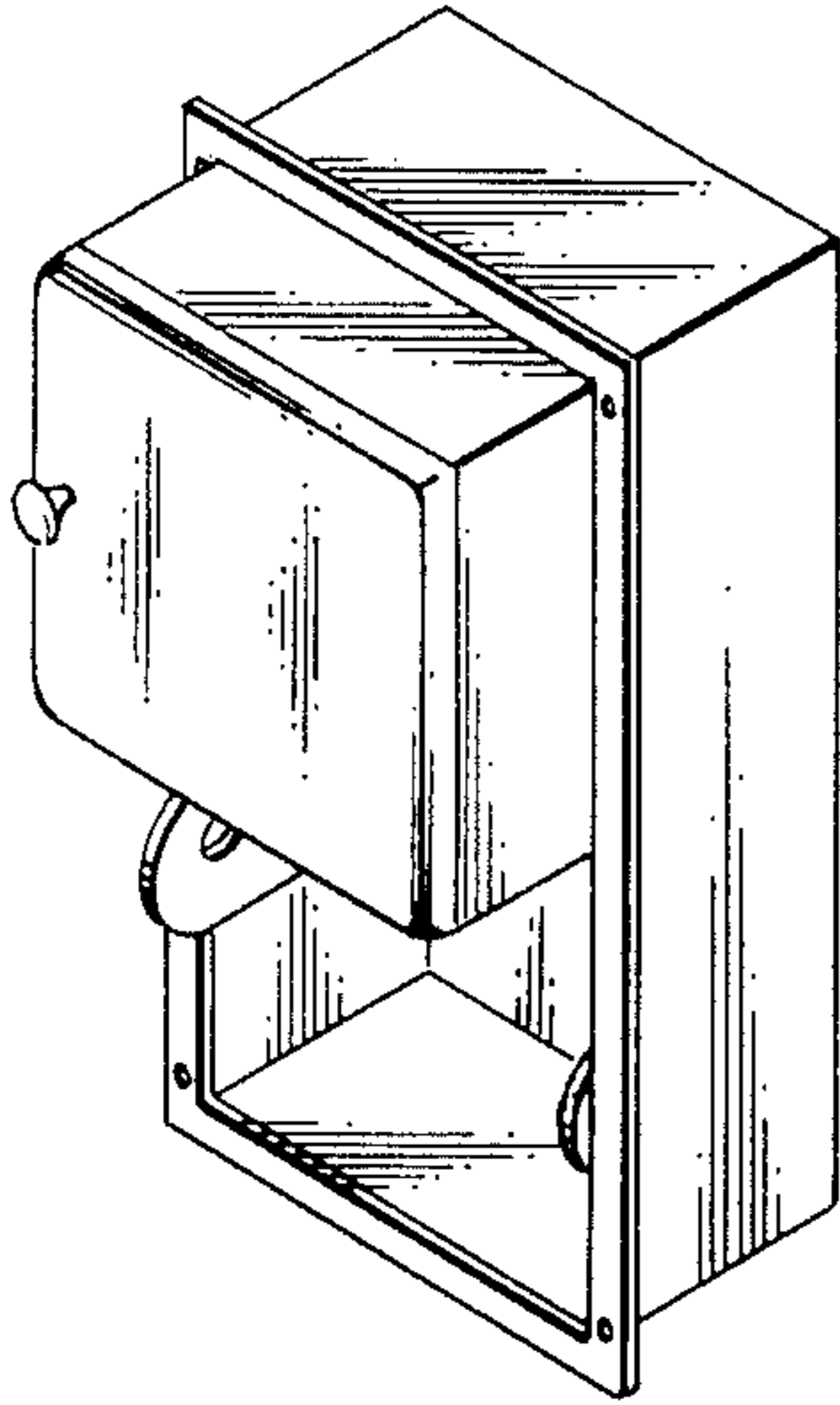


FIG. 8

FIG. 9

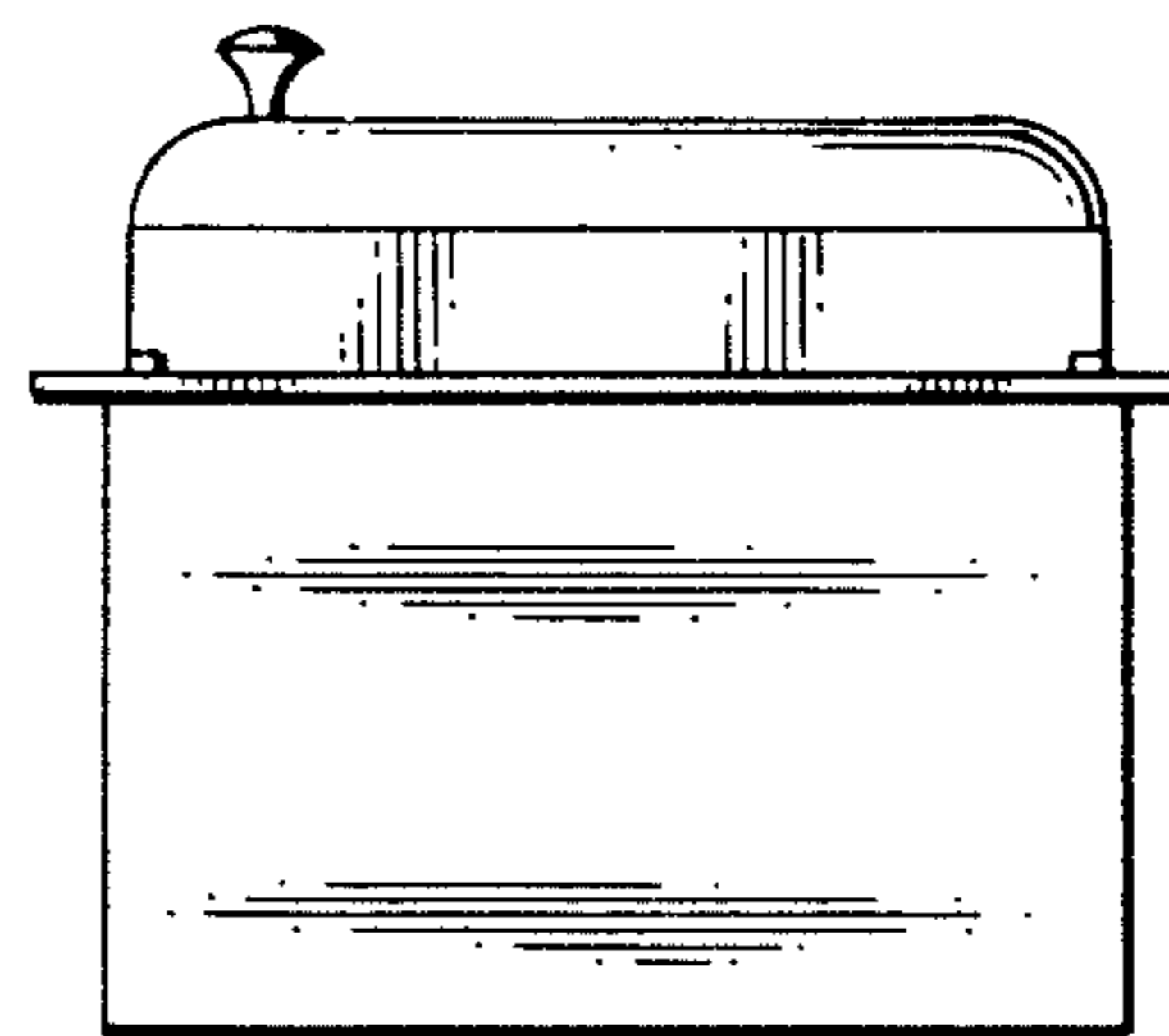
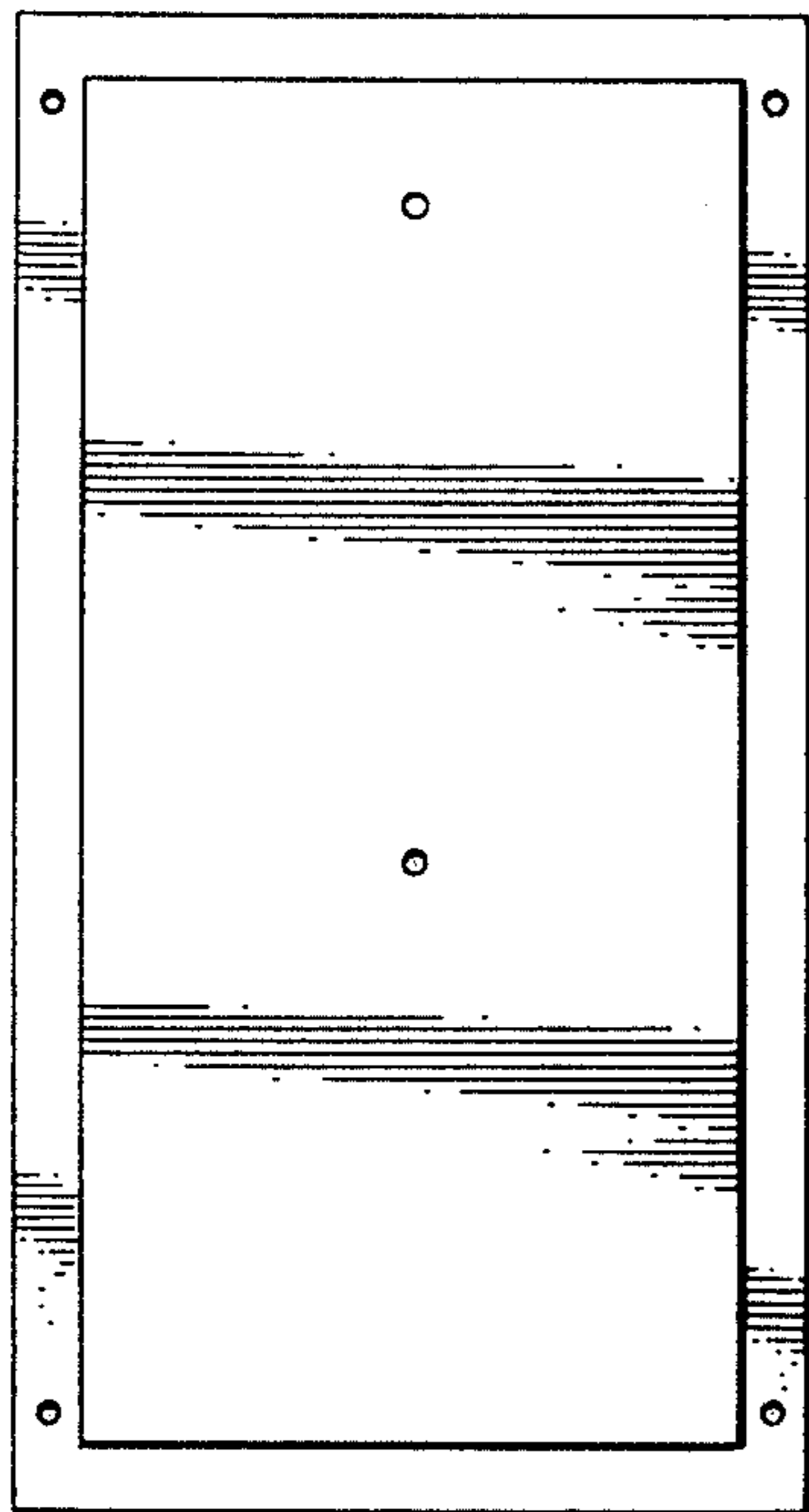


FIG. 10