

[54] HANDBAG

1,571,475 2/1926 Guenther D87/5 B

[75] Inventor: Lawrence B. Schwartz, Fairfield, Conn.

[73] Assignee: Acricite Company, Inc., Bridgeport, Conn.

[**] Term: 14 Years

[21] Appl. No.: 738,552

[22] Filed: Nov. 3, 1976

[51] Int. Cl. D3-01

[52] U.S. Cl. D87/3 F; D87/3 D

[58] Field of Search D87/3 F, 3 D, 3 R, 1 R, D87/5 B; D9/291, 292; D3/19 B; 150/12, 33; 229/54 R

[56] References Cited

U.S. PATENT DOCUMENTS

D. 105,366 7/1937 Neuburger D87/3 D
991,252 5/1911 Trask D87/3 F

OTHER PUBLICATIONS

Handbags & Accessories, 4/74, p. 26, center of page.

Primary Examiner—Joel Stearman

Assistant Examiner—George P. Word

Attorney, Agent, or Firm—Garold E. Bramblett, Jr.

[57] CLAIM

The ornamental design for a handbag, substantially as shown and described.

DESCRIPTION

FIG. 1 is a perspective view of a handbag showing my new design;

FIG. 2 is a top plan view;

FIG. 3 is a front elevational view, the rear elevational view being identical thereto;

FIG. 4 is a right end elevational view, the left end being identical thereto; and

FIG. 5 is a bottom plan view.

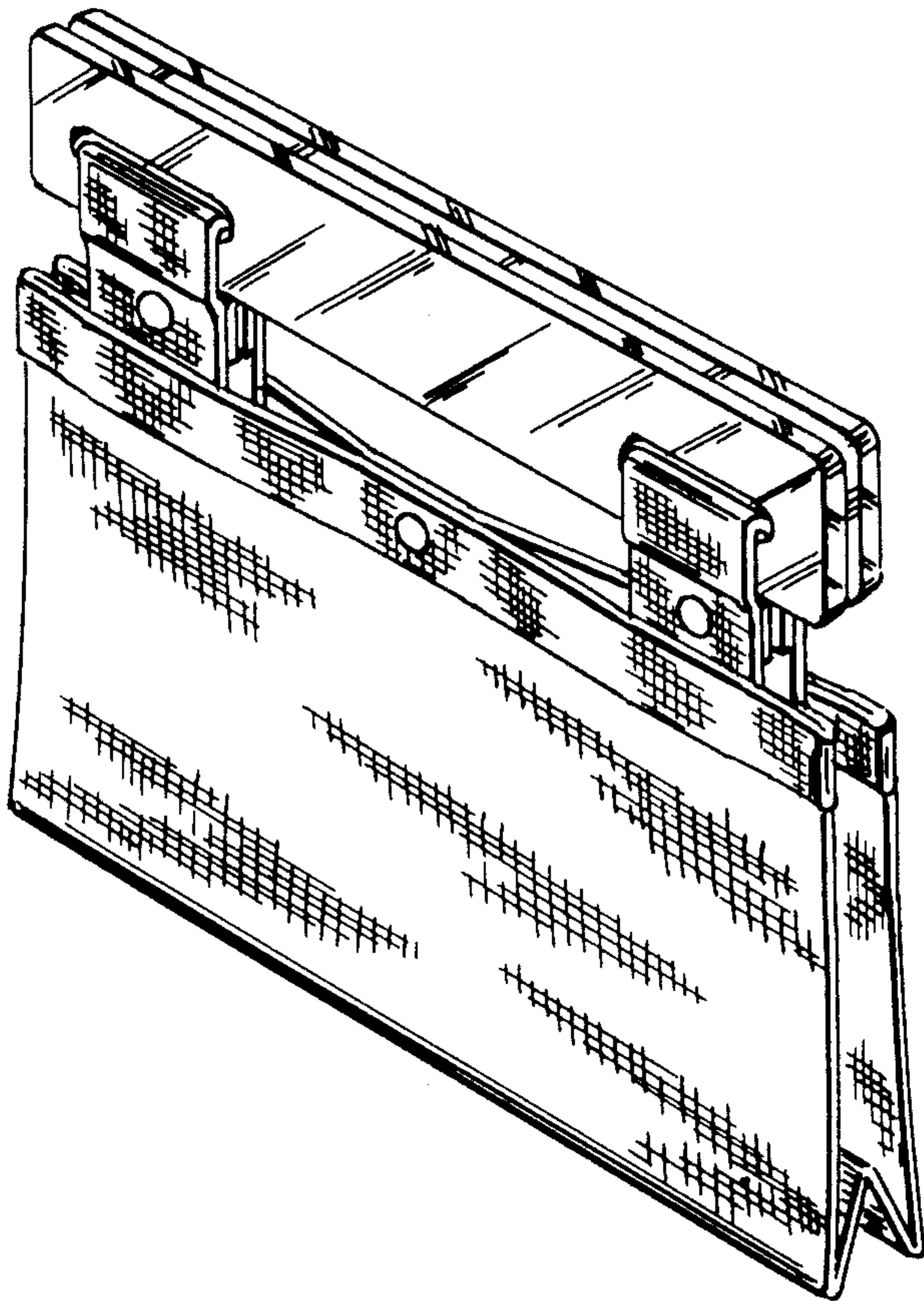


Fig. 1.

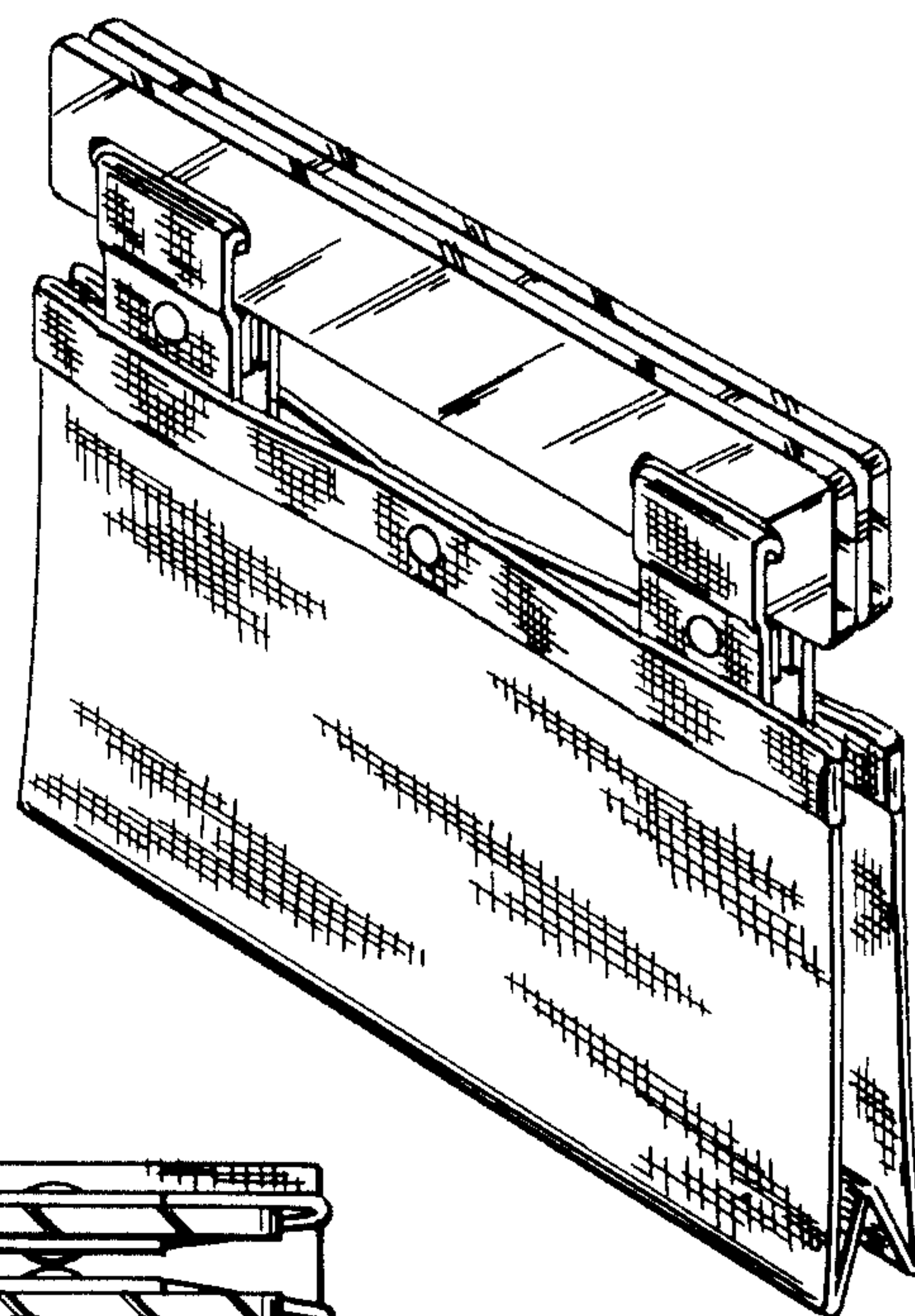


Fig. 2.

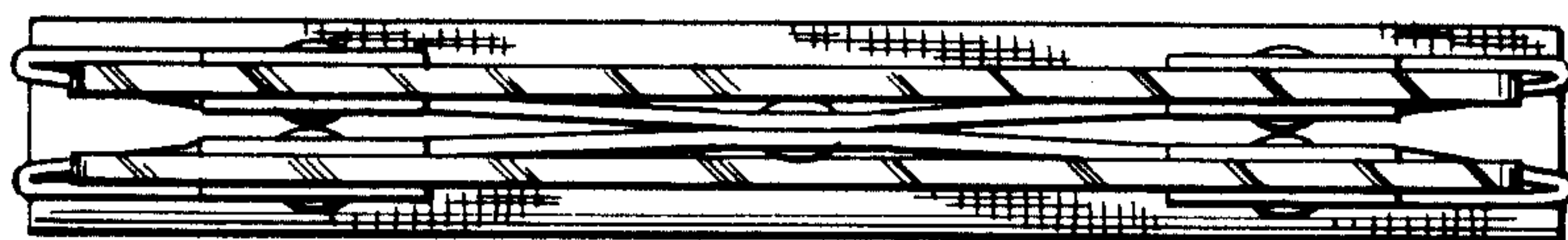


Fig. 3.

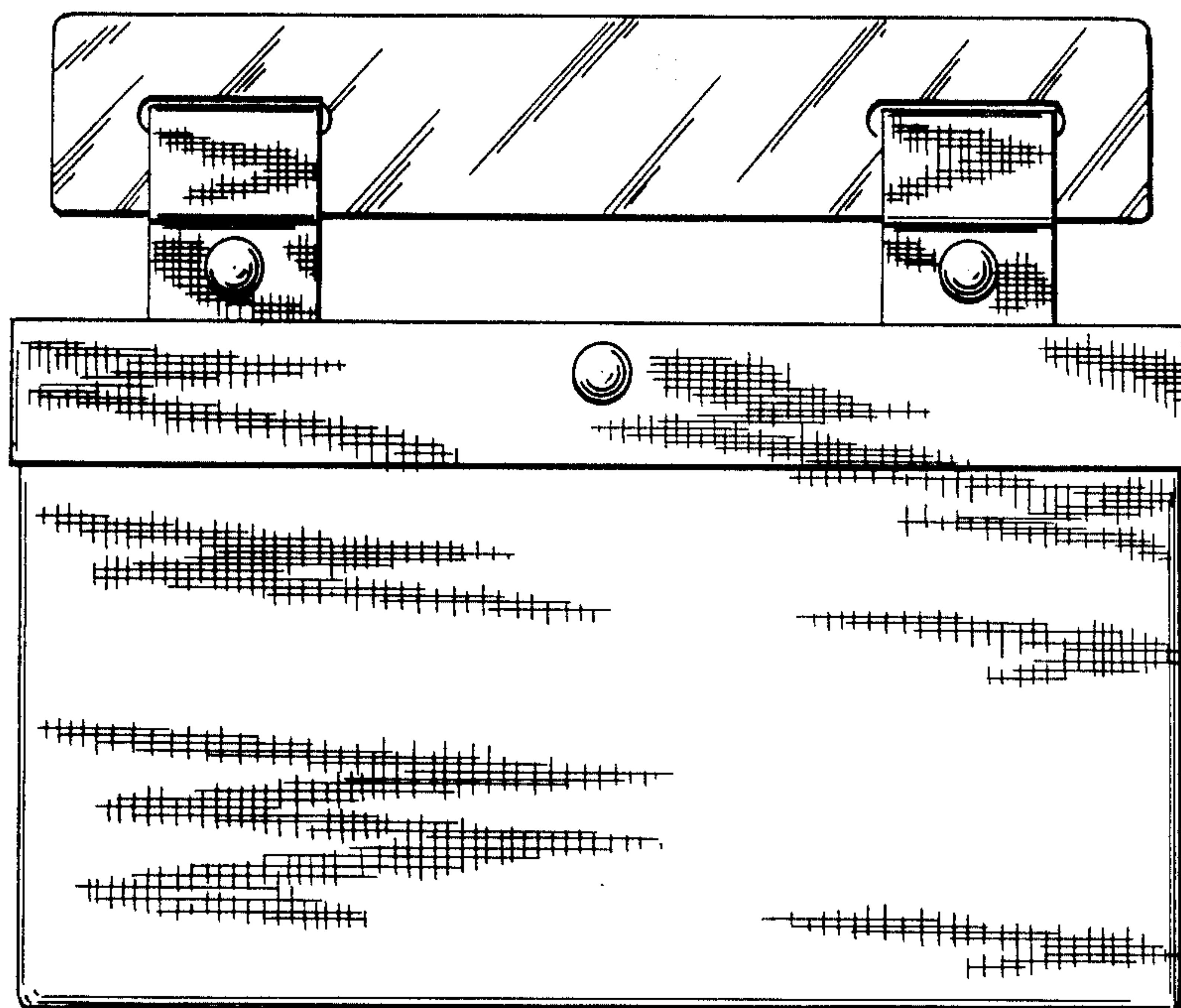


Fig. 4.

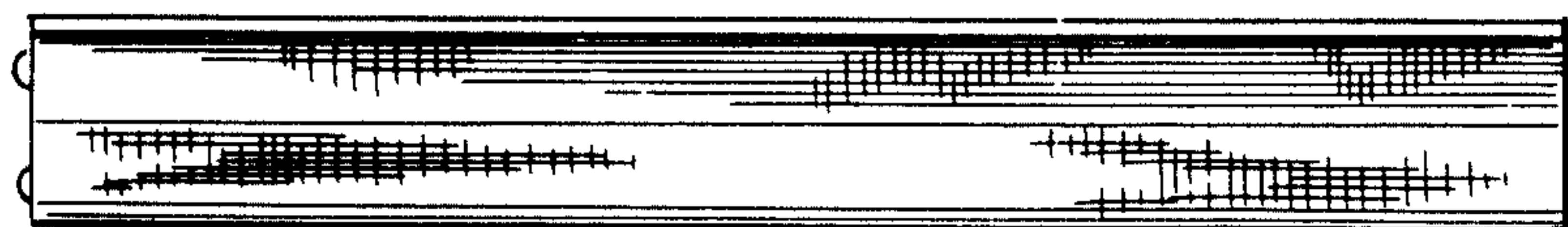
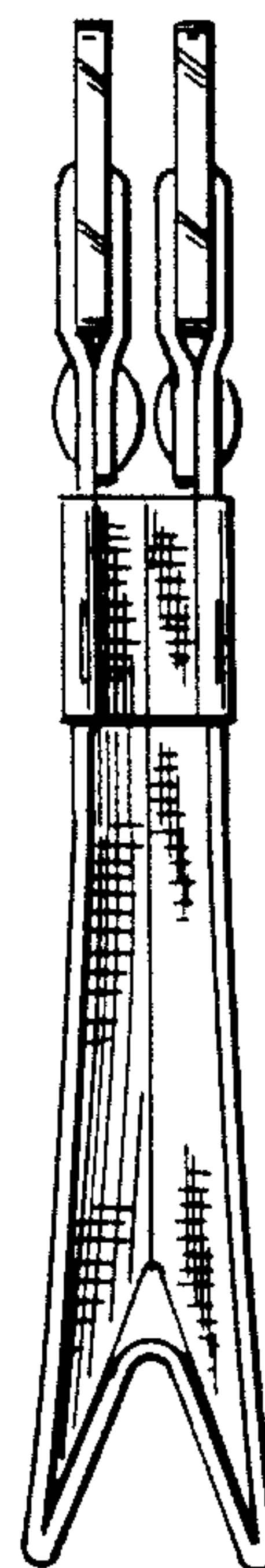


Fig. 5.