

[54] CARRYING CASE FOR A MUSICAL INSTRUMENT OR SIMILAR ARTICLE

[76] Inventor: Joseph E. Calzone, III, 28 1/2 Bauton St., South Norwalk, Conn. 06856

[**] Term: 14 Years

[21] Appl. No.: 699,872

[22] Filed: Jun. 25, 1976

[51] Int. Cl. D3-02

[52] U.S. Cl. D56/1 B; D87/1 R; D87/5 A

[58] Field of Search D87/5 R, 5 F, 1 R; 150/52 R, 52 F; 190/19, 25, 37, 57; 206/314, 14

[56] References Cited

U.S. PATENT DOCUMENTS

D. 222,688 11/1971 Canton D87/1 R
1,644,476 4/1928 Geib 206/314

1,674,352 6/1928 Adams D87/5 F
1,900,718 3/1933 Lang 206/314
1,988,718 1/1935 Cook et al. 206/314
2,640,616 6/1953 Clements 190/19

OTHER PUBLICATIONS

Hartman Trunk Co. Cat. 1929, p. 112.

Primary Examiner—Joel Stearman

Assistant Examiner—George P. Word

Attorney, Agent, or Firm—Arthur A. Johnson

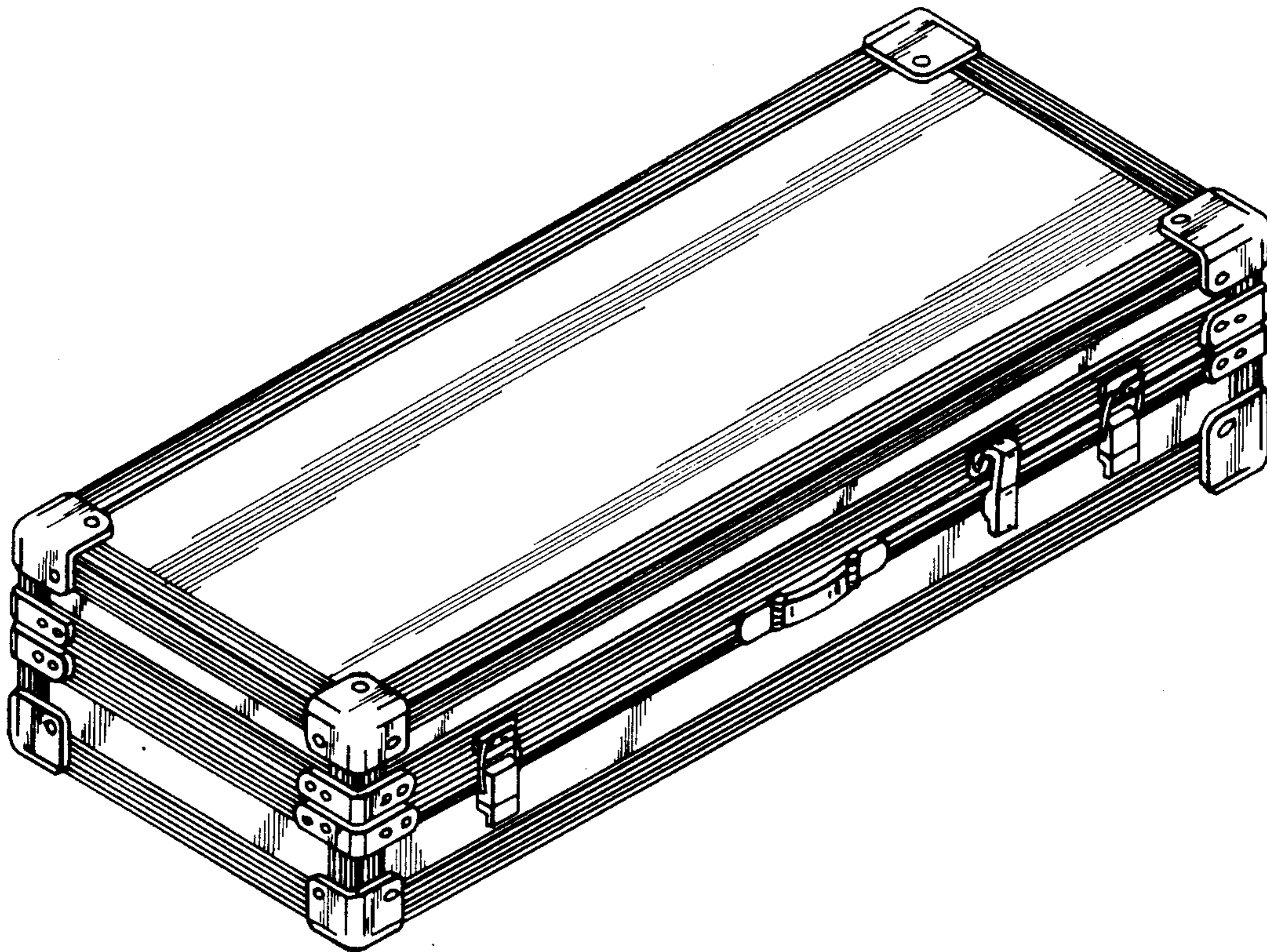
[57] CLAIM

The ornamental design for a carrying case for a musical instrument or similar article, as shown.

DESCRIPTION

FIG. 1 is a perspective view of a carrying case for a musical instrument or similar article, showing my new design.

FIG. 2 is an inverted rear perspective view thereof.



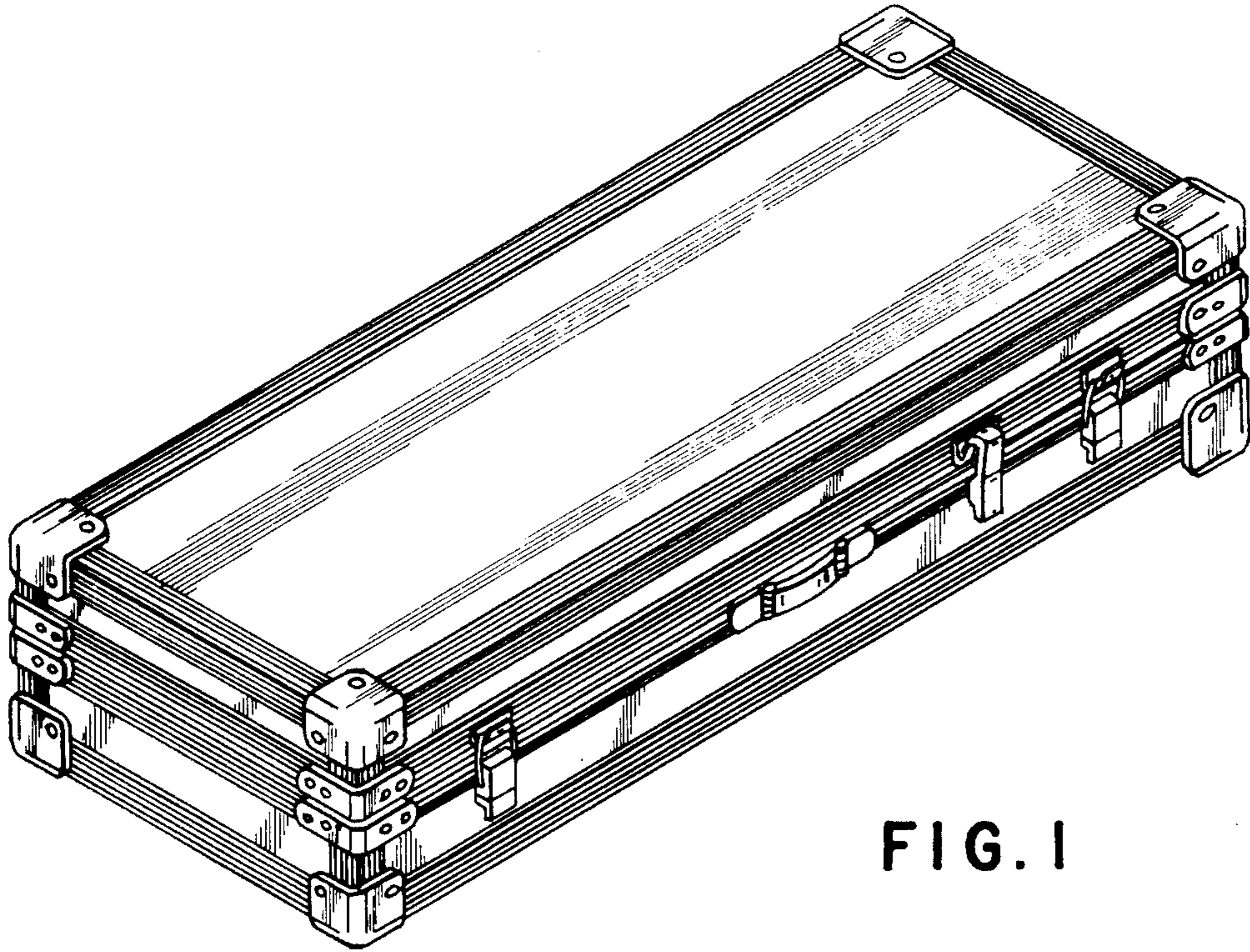


FIG. 1

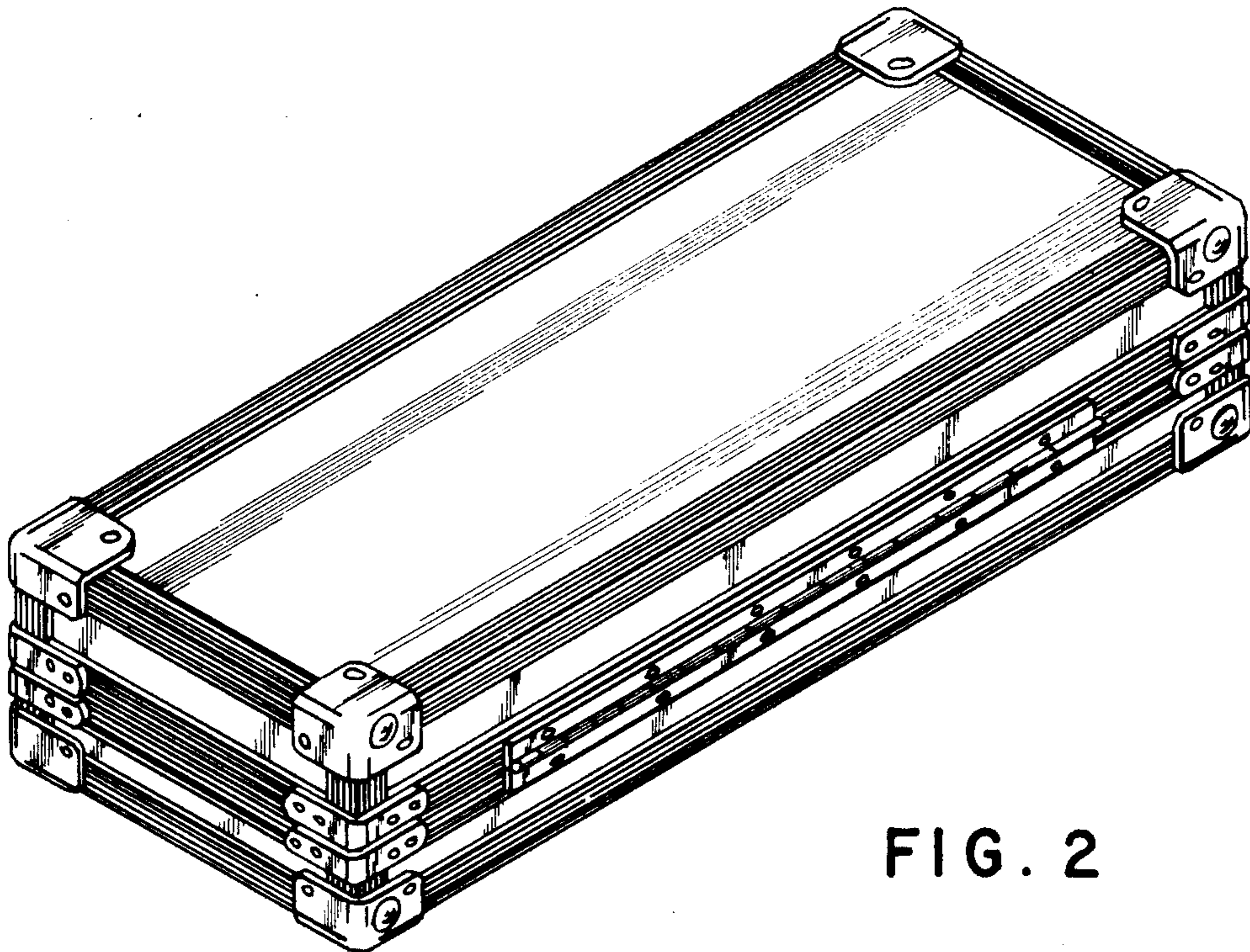


FIG. 2