

- [54] TOY HELICOPTER
- [75] Inventor: **Jack L. Breneman**, Orchard Park, N.Y.
- [73] Assignee: **The Quaker Oats Company**, Chicago, Ill.
- [**] Term: **14 Years**
- [21] Appl. No.: **644,426**
- [22] Filed: **Dec. 29, 1975**
- [51] Int. Cl. **D21-01**
- [52] U.S. Cl. **D34/15 KK**
- [58] Field of Search **D34/15 HH, 15 KK, 15 AF, D34/15 AS; D12/71, 73, 77, 78, 80; 46/76 R, 76 A, 77, 78, 79, 80, 81, 89**

D. 201,934 8/1965 Graham D34/15 KK
 3,225,458 12/1965 Glöckl 46/77

OTHER PUBLICATIONS

Popular Mechanics, 2-1976, p. 178, Phoenix Air-Jet Rotor Helicopter.

Primary Examiner—Joel Stearman
Assistant Examiner—C. A. Rademaker
Attorney, Agent, or Firm—George W. Shaw

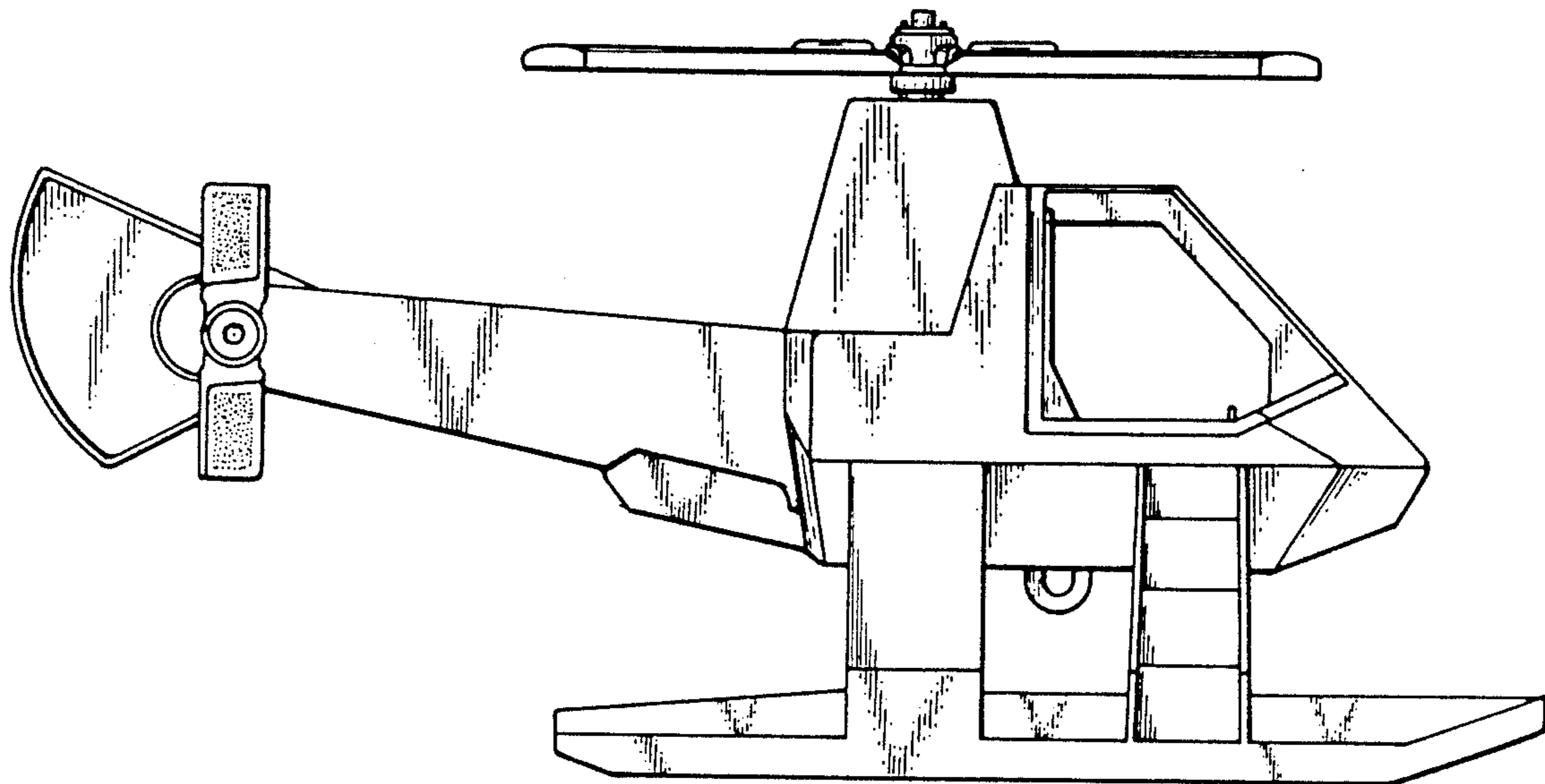
[57] **CLAIM**

The ornamental design for a toy helicopter, substantially as shown.

DESCRIPTION

FIG. 1 is a right-side elevational view of a toy helicopter showing my new design;
 FIG. 2 is a top plan view thereof;
 FIG. 3 is a front elevational view thereof;
 FIG. 4 is a left-side elevational view thereof;
 FIG. 5 is a rear elevational view thereof; and
 FIG. 6 is a bottom plan view.

- [56] **References Cited**
- U.S. PATENT DOCUMENTS**
- D. 149,803 6/1948 Fhagen D34/15 HH
- D. 192,487 3/1962 Nutting D12/73



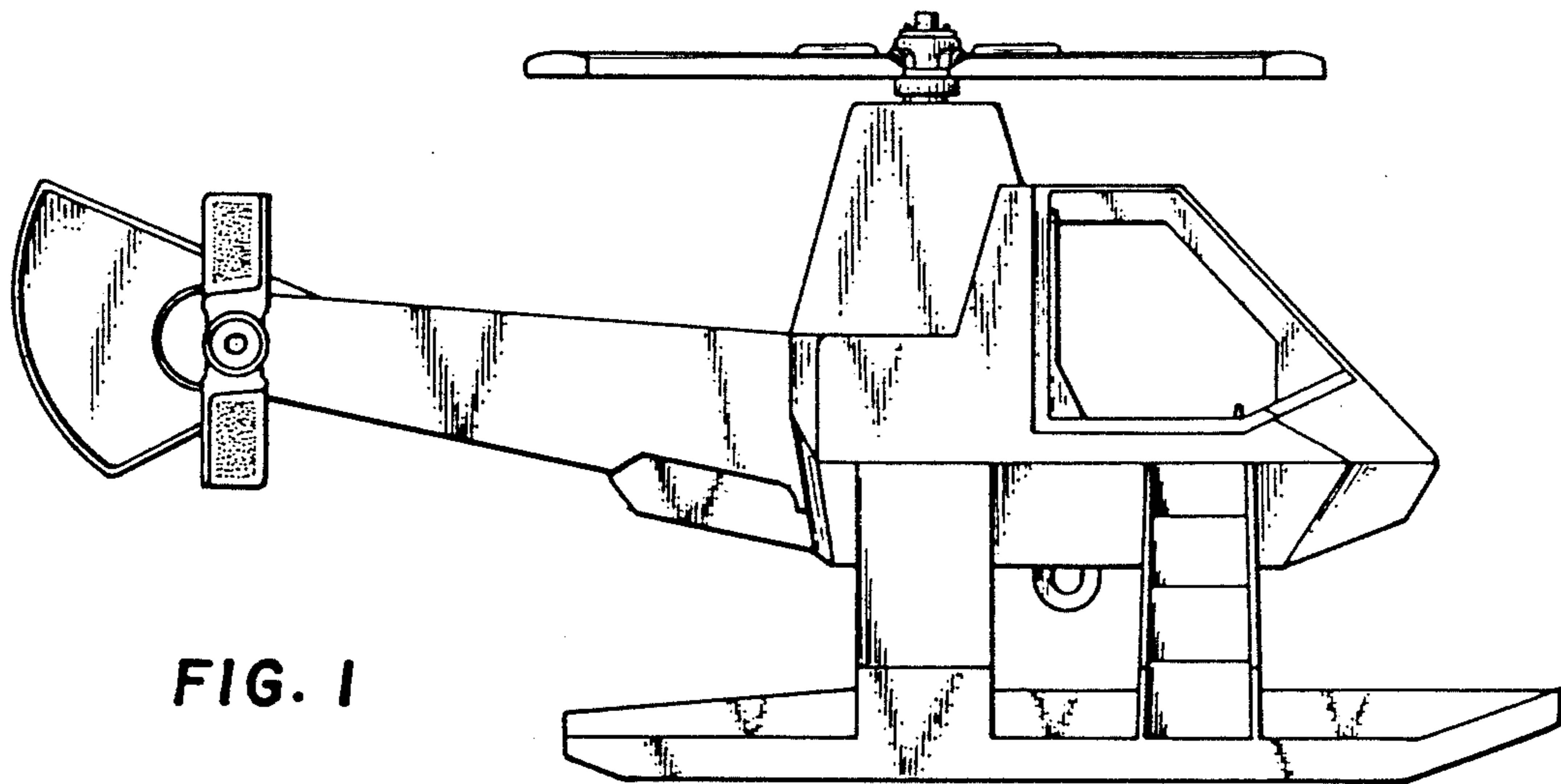


FIG. 1

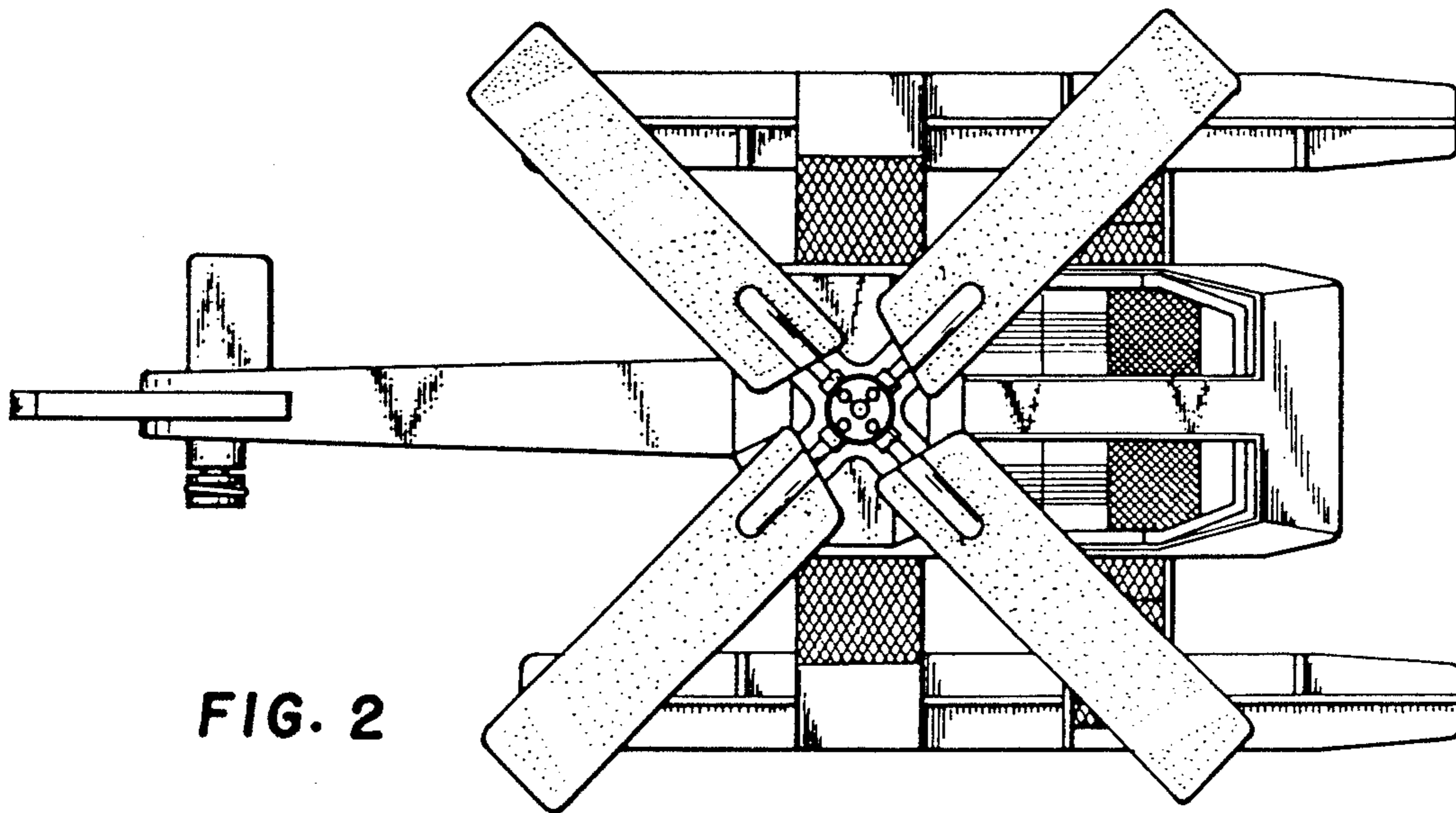


FIG. 2

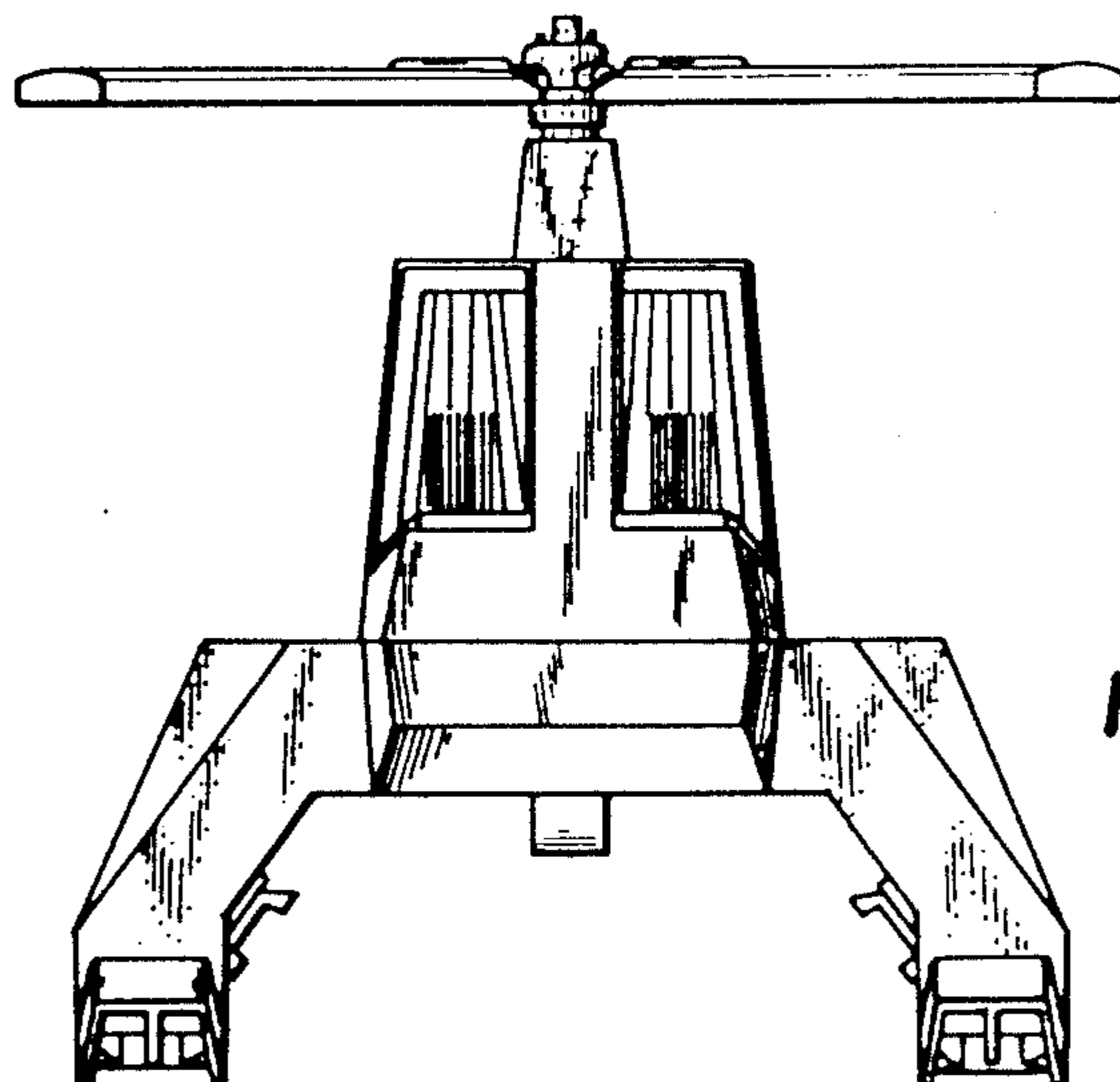


FIG. 3

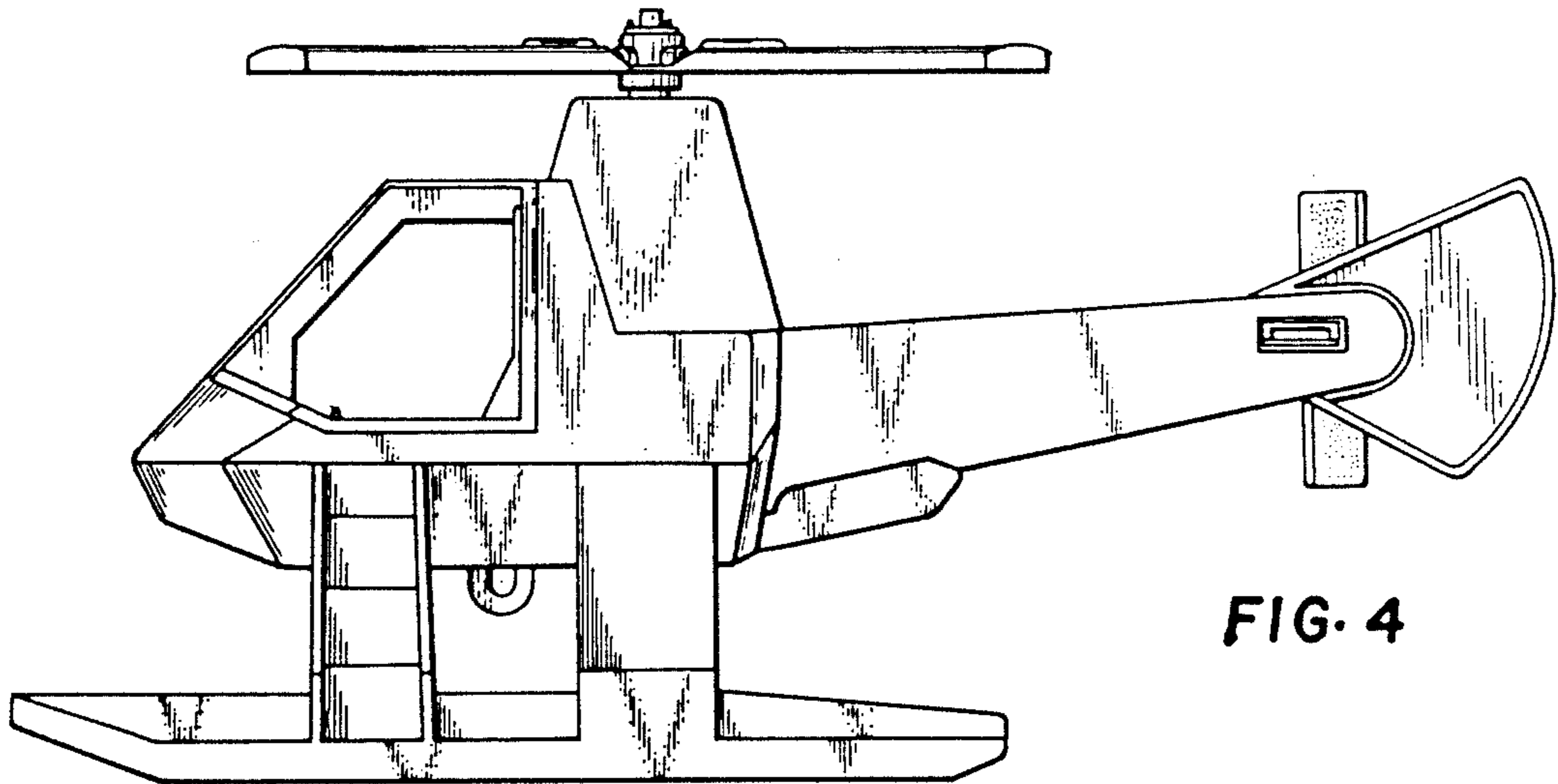


FIG. 4

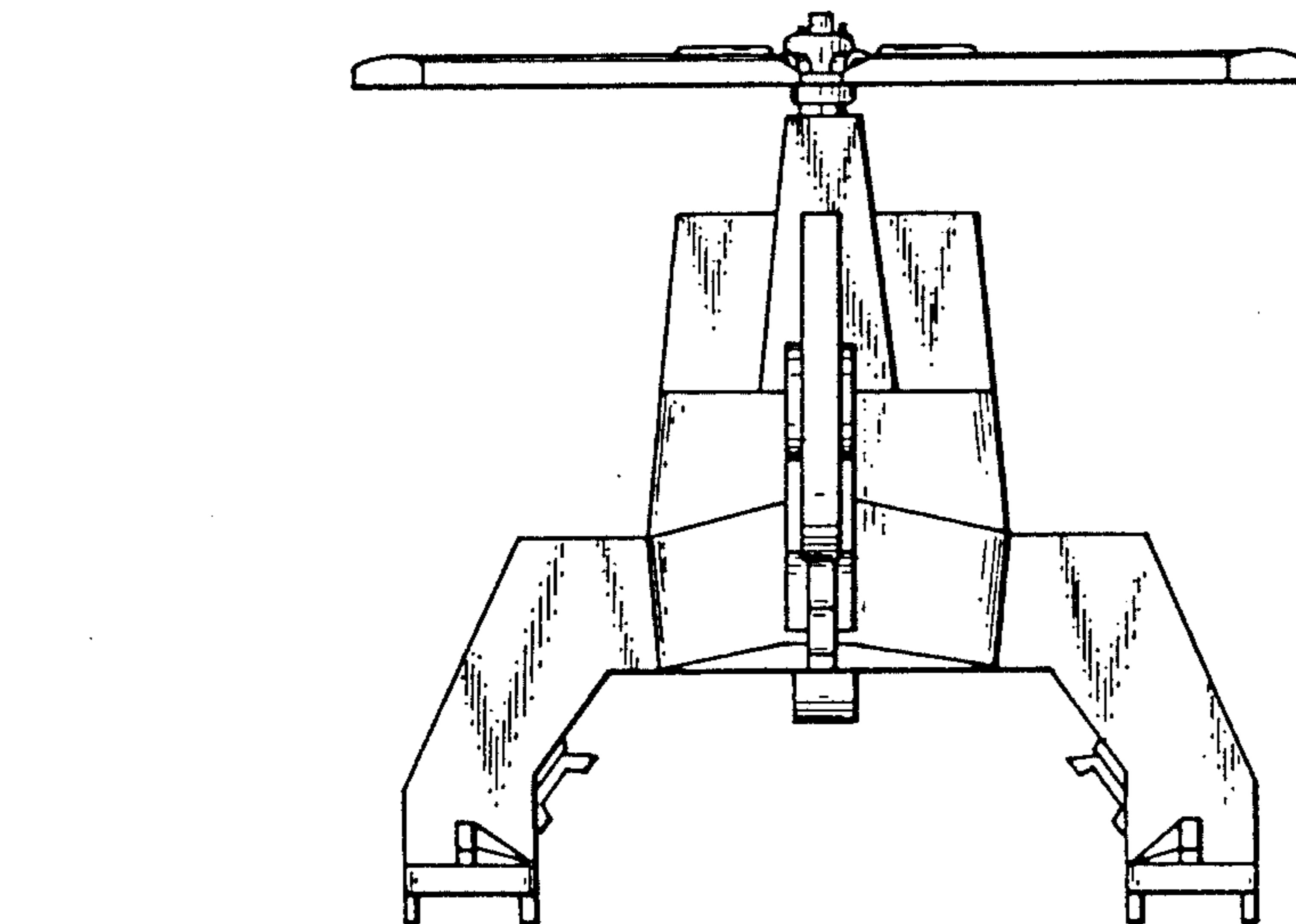


FIG. 5

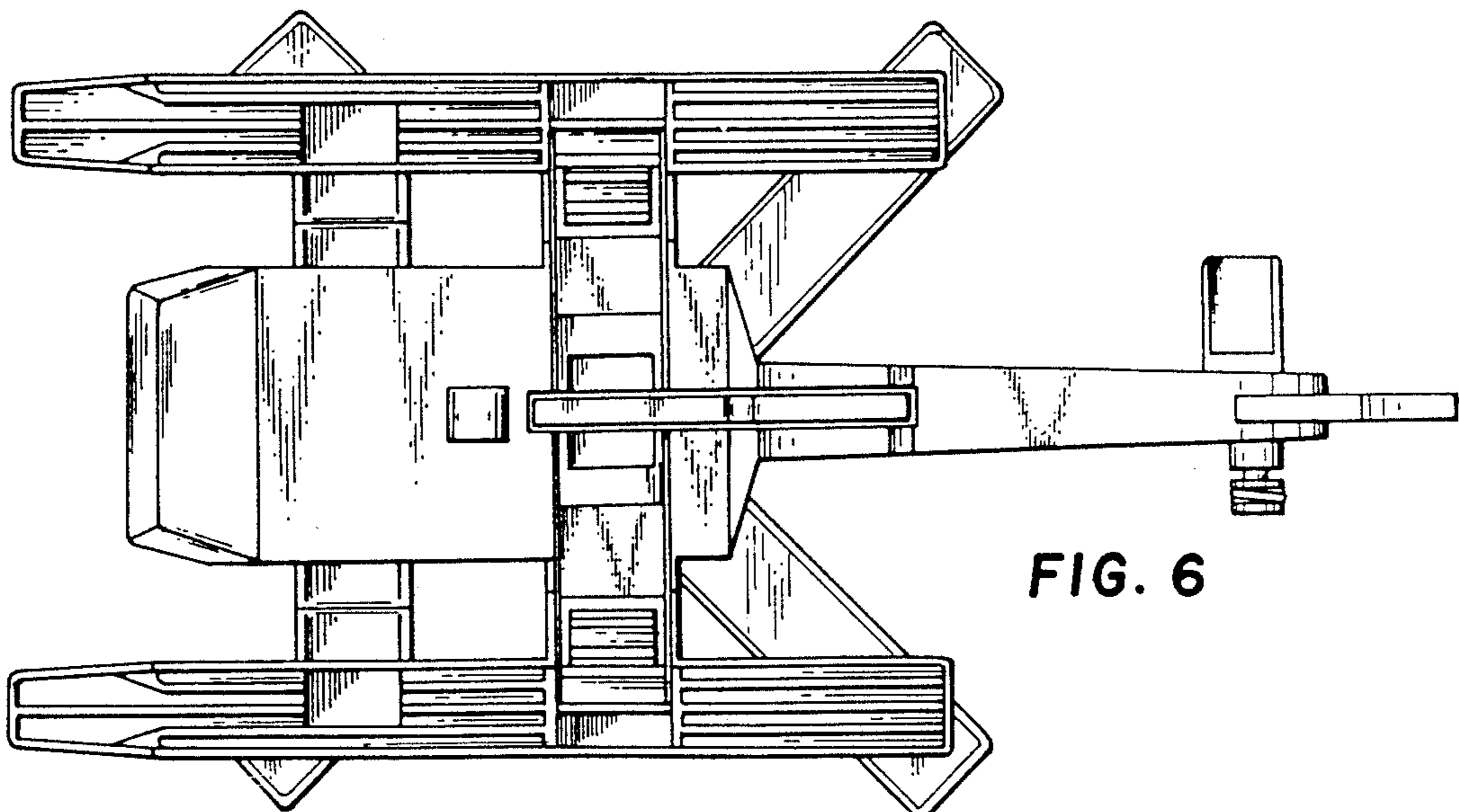


FIG. 6