

[54] HYDROMASSAGE TUB

[76] Inventor: Roy A. Jacuzzi, 3793 Granada, Moraga, Calif. 94556

[**] Term: 14 Years

[21] Appl. No.: 731,984

[22] Filed: Oct. 13, 1976

[51] Int. Cl. D24-01

[52] U.S. Cl. D24/38; D23/55

[58] Field of Search D23/48, 49, 50, 52, D23/55, 56, 57; D24/37, 38; 4/162, 172, 172.15, 172.17, 173, 175, 177, 178, 180, 185.5

[56] References Cited

U.S. PATENT DOCUMENTS

D. 160,472	10/1950	Chaffin	D23/55
D. 196,290	9/1963	King	D23/55
D. 206,143	11/1966	Jacuzzi	D23/55 X

D. 221,495	8/1971	Cavenah	D24/38
D. 237,709	11/1975	Jacuzzi	D23/55
D. 244,314	5/1977	Stanglo	D24/38
D. 276,405	2/1973	Jacuzzi	D24/38 X
3,297,025	1/1964	Jacuzzi	D23/55
3,736,924	6/1973	Jacuzzi et al.	D23/55
3,952,338	4/1976	Traxclair	4/172.15

Primary Examiner—James R. Largen

Attorney, Agent, or Firm—Edward Brosler

[57] CLAIM

The ornamental design of a hydromassage tub, as illustrated.

DESCRIPTION

FIG. 1 is a perspective view of a hydromassage tub showing my new design;

FIG. 2 is a top plan view thereof;

FIG. 3 is a bottom plan view thereof; and

FIG. 4 is a side elevational view thereof.

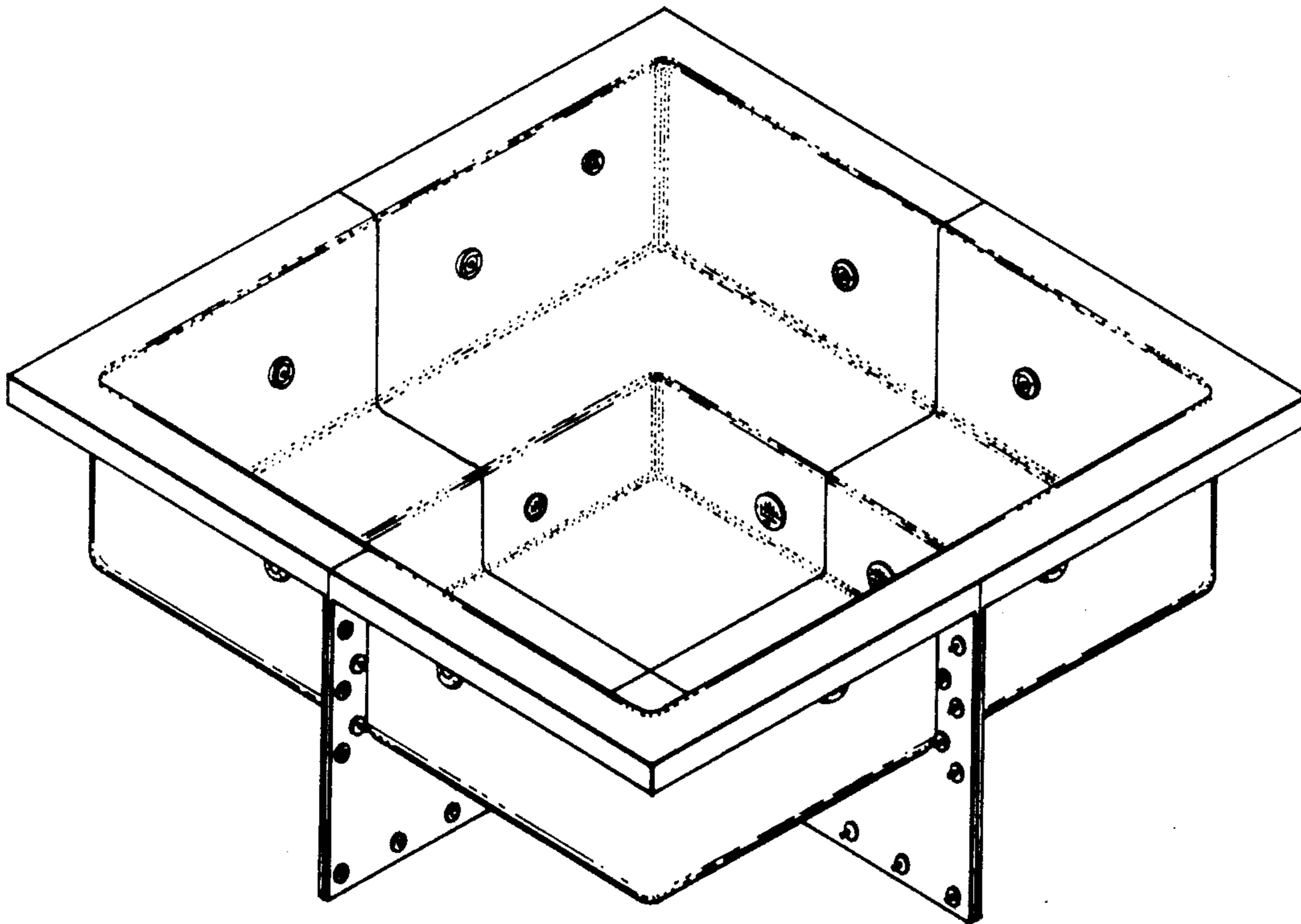


Fig. 2

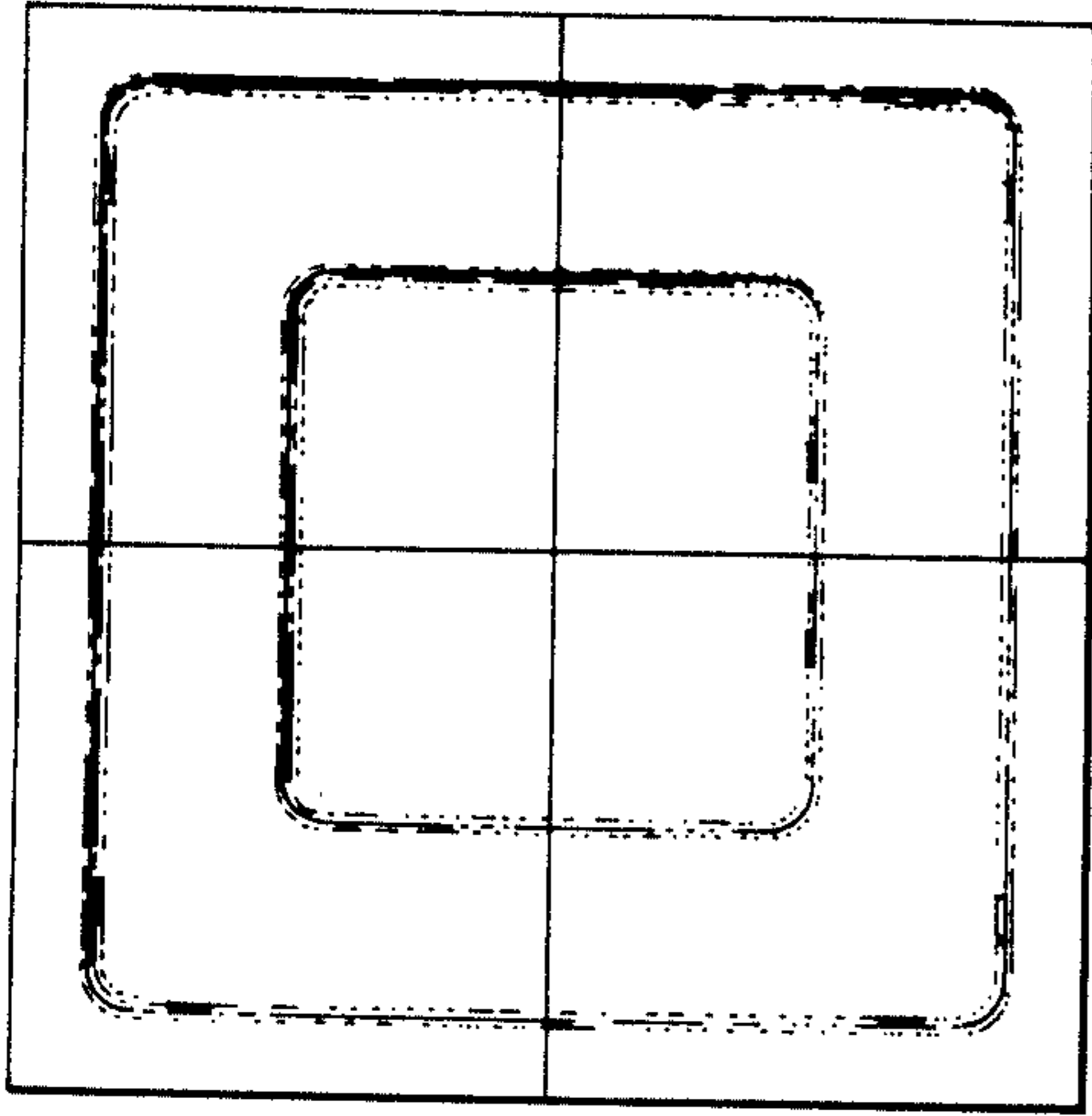


Fig. 3

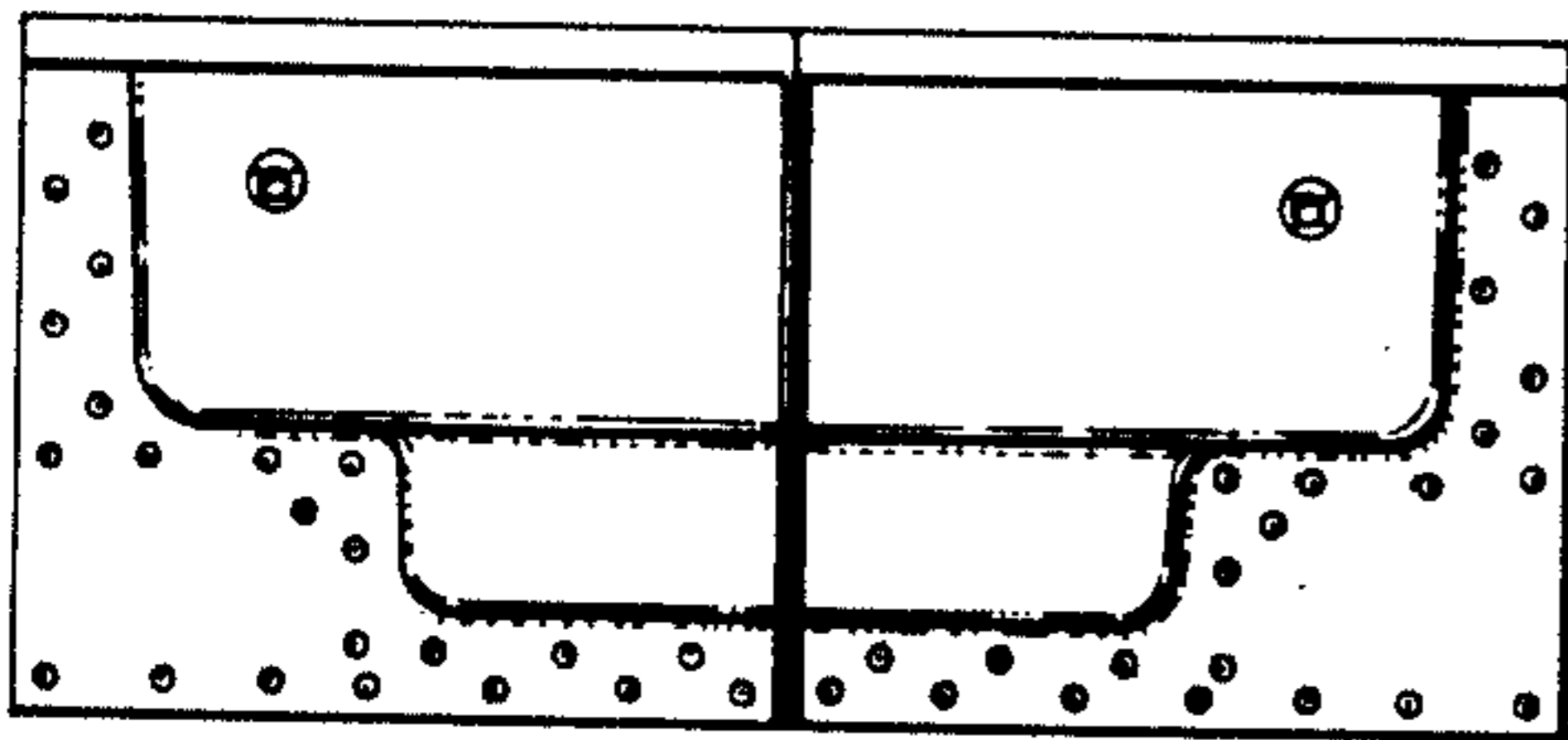
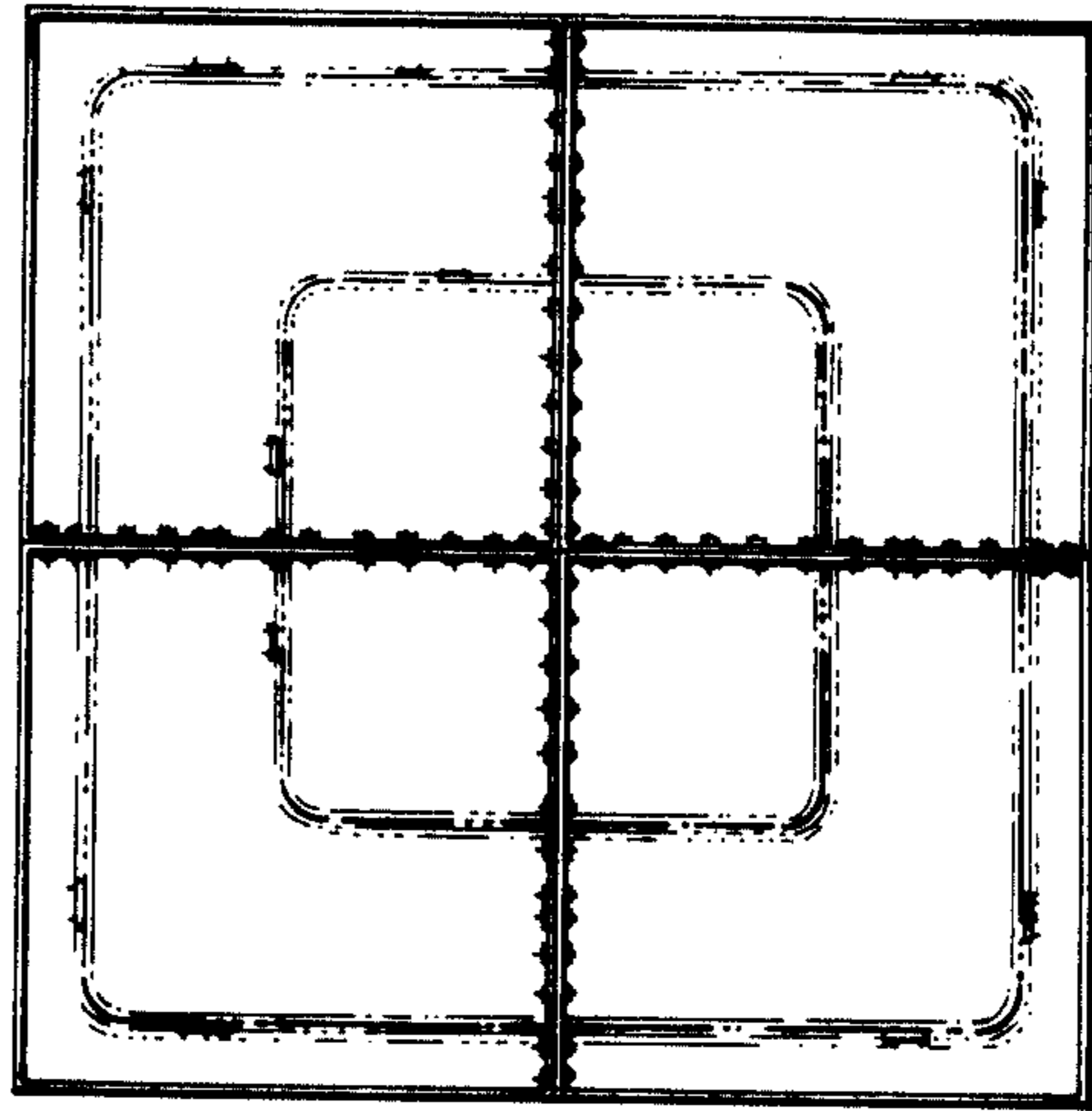


Fig. 4

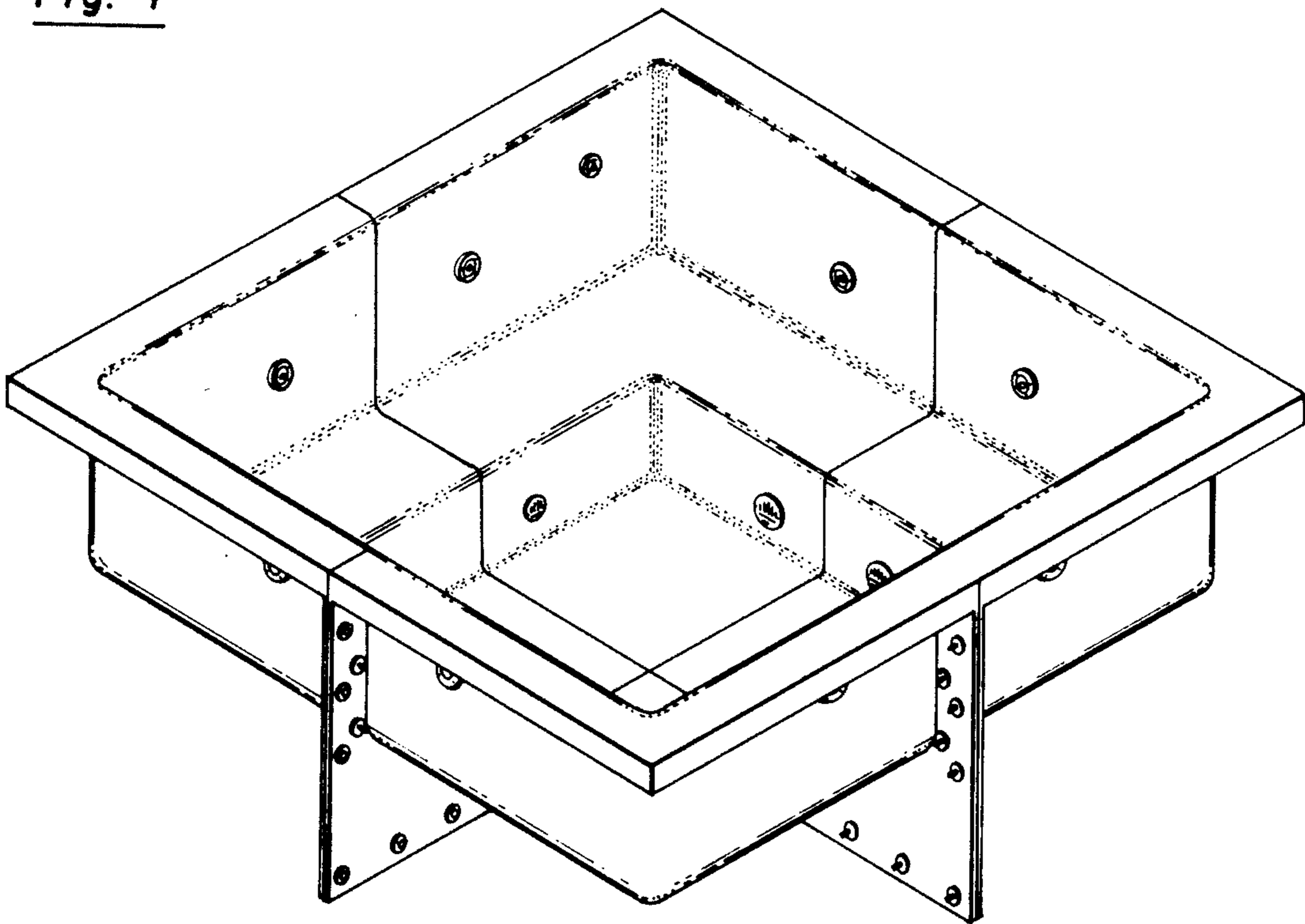


Fig. 1