

[54] **CATHETERIZATION NEEDLE**

[76] Inventor: **Ronald B. Luther, 1737 Bayport Way, Newport Beach, Calif. 92663**

[**] Term: **14 Years**

[21] Appl. No.: **710,336**

[22] Filed: **Jul. 30, 1976**

[51] Int. Cl. **D24-02**

[52] U.S. Cl. **D24/25; D24/54; D29/99; 128/214.4**

[58] Field of Search **128/329, 330, 347, 214.4, 128/221; D24/25, 24, 99, 59, 60, 61, 54**

[56] **References Cited**

U.S. PATENT DOCUMENTS

D. 214,112	5/1969	Langdon	D24/25
3,651,807	3/1972	Huggins	128/214.4
3,656,479	4/1972	Huggins	128/214.4
3,698,396	10/1972	Katerndahl et al.	128/214.4
4,022,191	5/1977	Jamshidi	128/215

Primary Examiner—Bernard Ansher

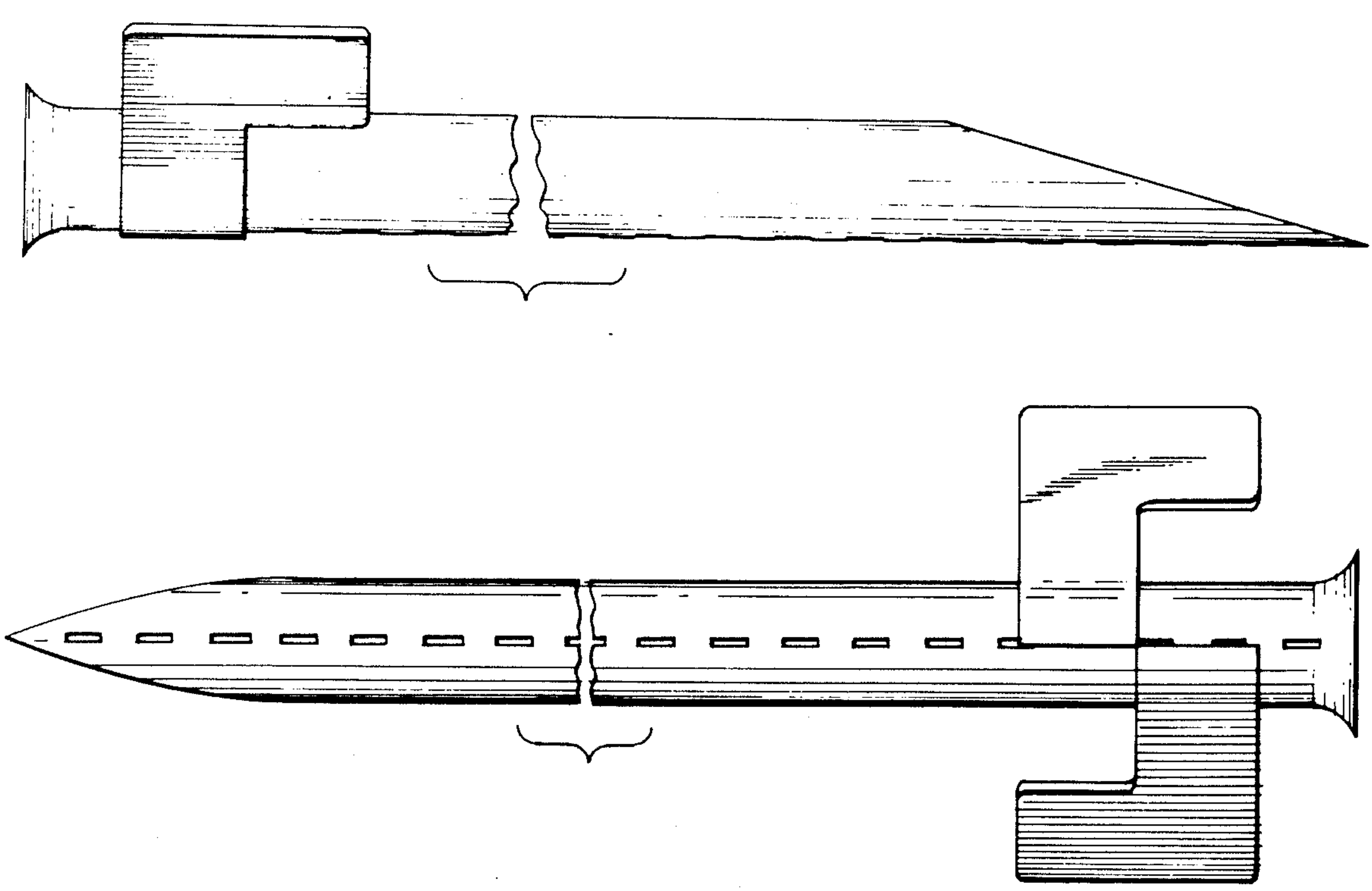
Attorney, Agent, or Firm—B. Edward Shlesinger, Jr.

[57] **CLAIM**

The ornamental design for a catheterization needle, as shown and described.

DESCRIPTION

FIG. 1 is a left side elevational view of a catheterization needle showing my new design;
 FIG. 2 is a right side elevational view thereof;
 FIG. 3 is a top plan view thereof;
 FIG. 4 is a bottom plan view thereof;
 FIG. 5 is a rear elevational view thereof;
 FIG. 6 is a front elevational view thereof;
 FIG. 7 is an enlarged sectional view taken on line 7—7 of FIG. 2;
 FIG. 8 is an enlarged sectional view taken on line 8—8 of FIG. 2;
 FIG. 9 is an enlarged sectional view taken on line 9—9 of FIG. 3; and
 FIG. 10 is an enlarged front elevational view of the catheterization needle of FIG. 1;
 FIG. 11 is a left side elevational view of a modified form of the catheterization needle described in FIG. 1;
 FIG. 12 is a top plan view thereof;
 FIG. 13 is a bottom plan view thereof;
 FIG. 14 is a rear elevational view thereof;
 FIG. 15 is a front elevational view thereof;
 FIG. 16 is an enlarged sectional view taken on line 16—16 of FIG. 11;
 FIG. 17 is an enlarged sectional view taken on line 17—17 of FIG. 11;
 FIG. 18 is an enlarged sectional view taken on line 18—18 of FIG. 12; and
 FIG. 19 is an enlarged front elevational view of the catheterization needle of FIG. 11.
 The side opposite the side shown in FIG. 11 is a mirror image thereof. FIGS. 1 through 4 and 11 through 13 are shown fragmented to indicate indeterminate length.



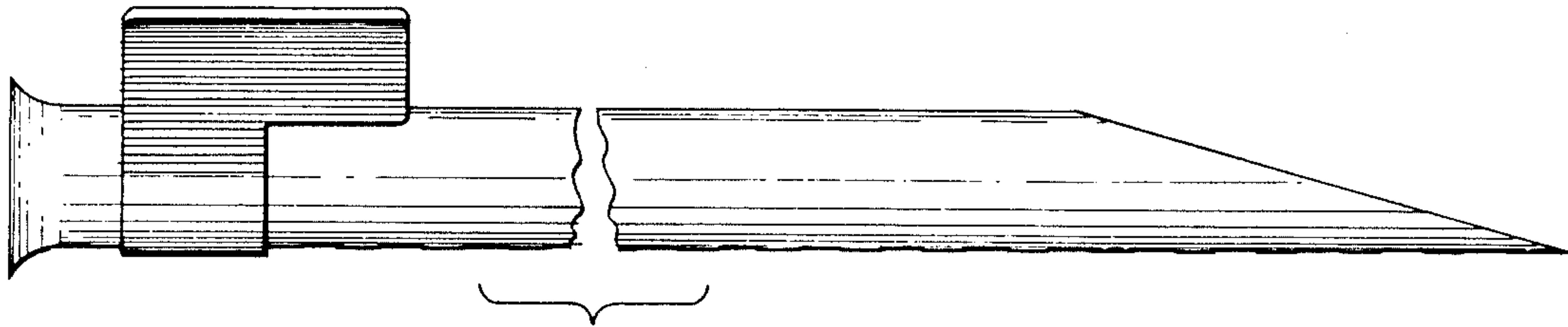


Fig. 1

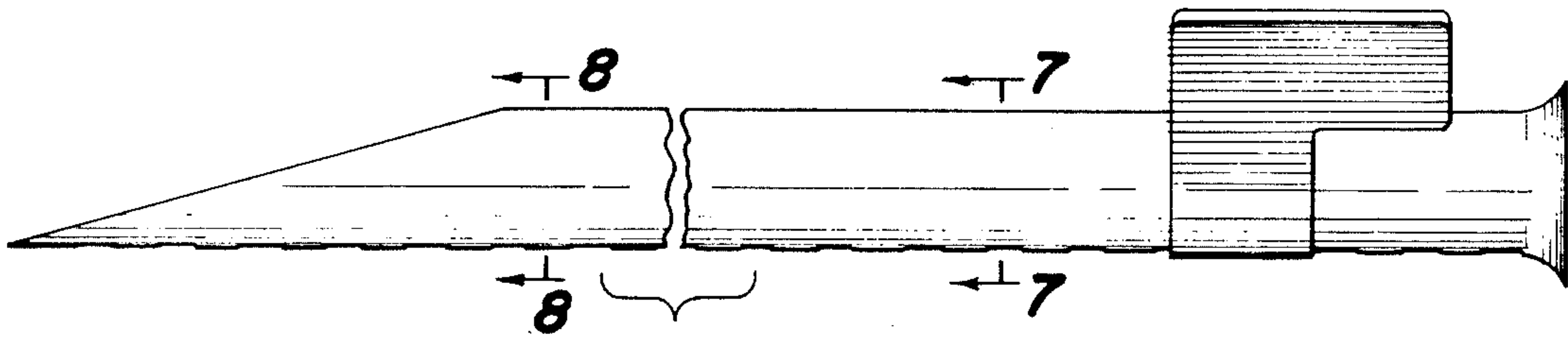


Fig. 2

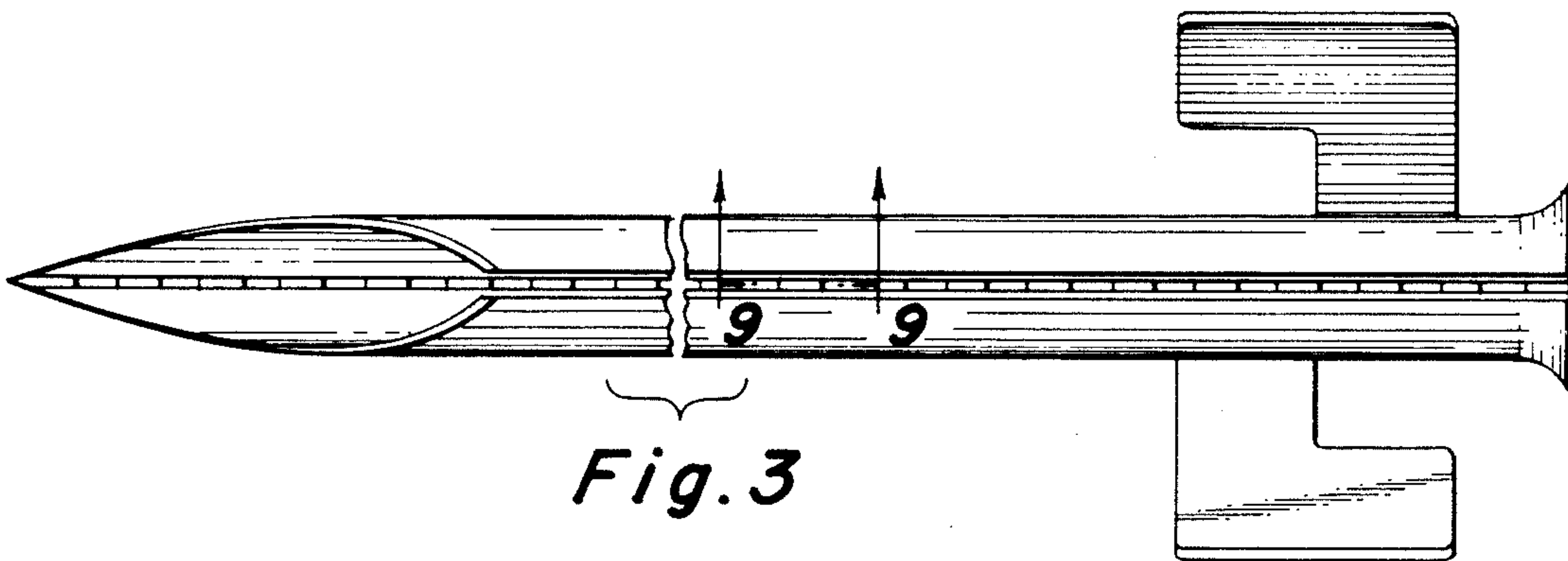


Fig. 3

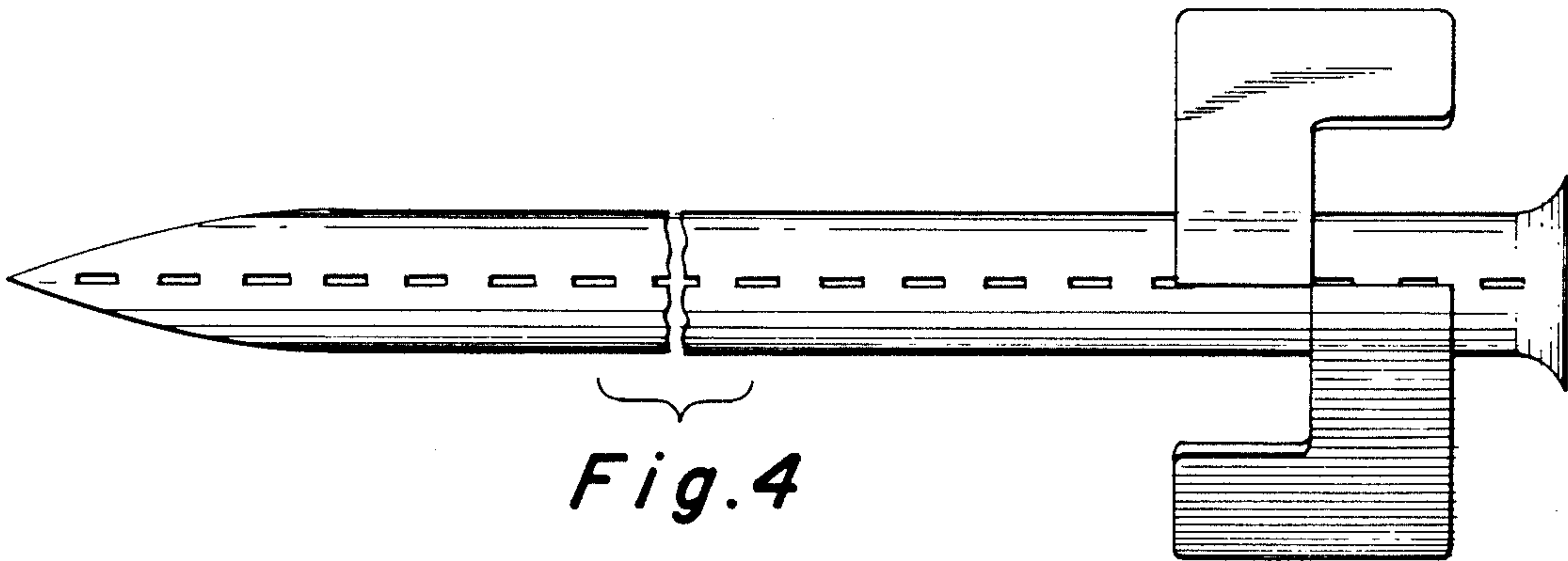


Fig. 4

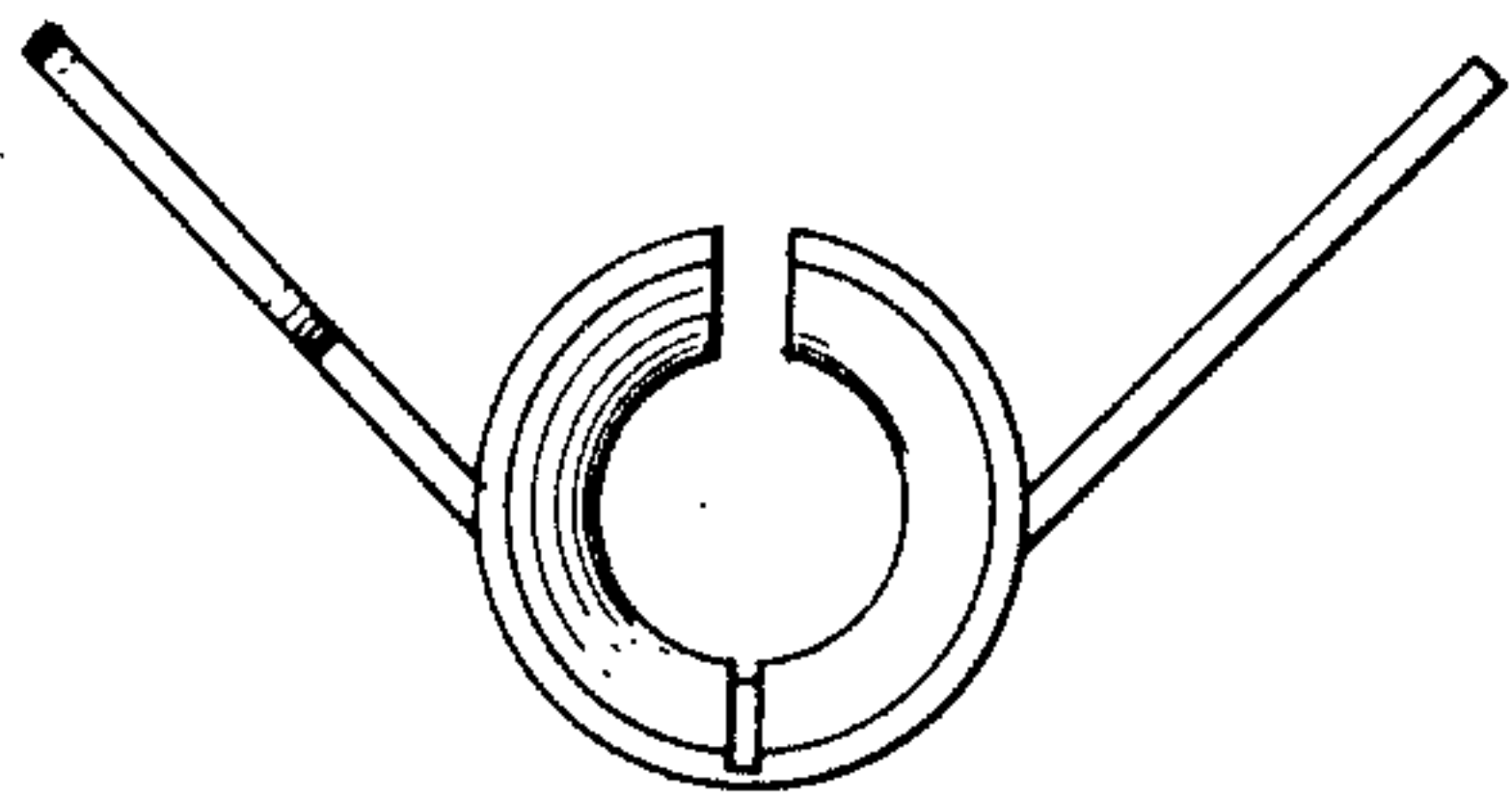


Fig. 5

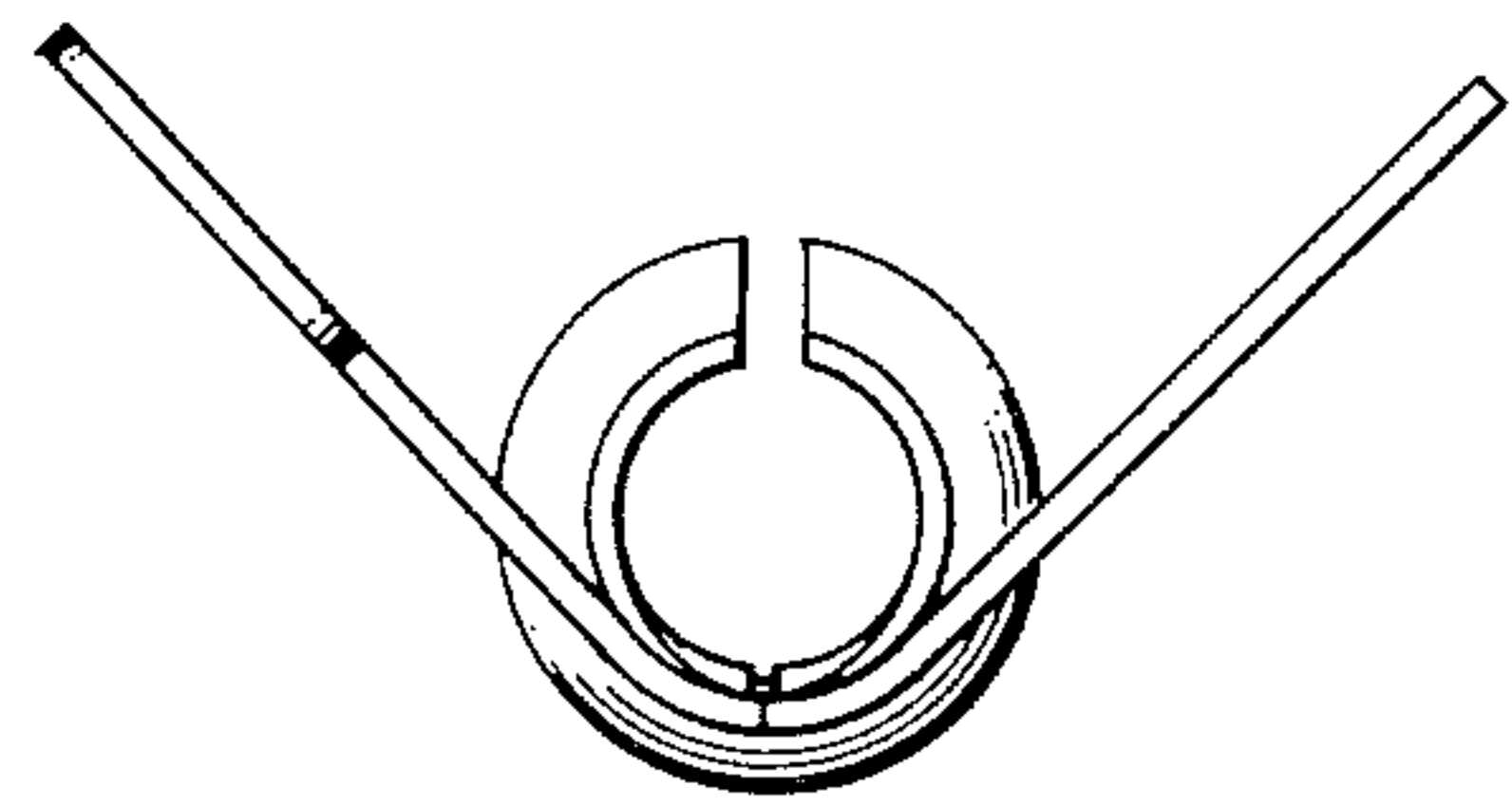


Fig. 6

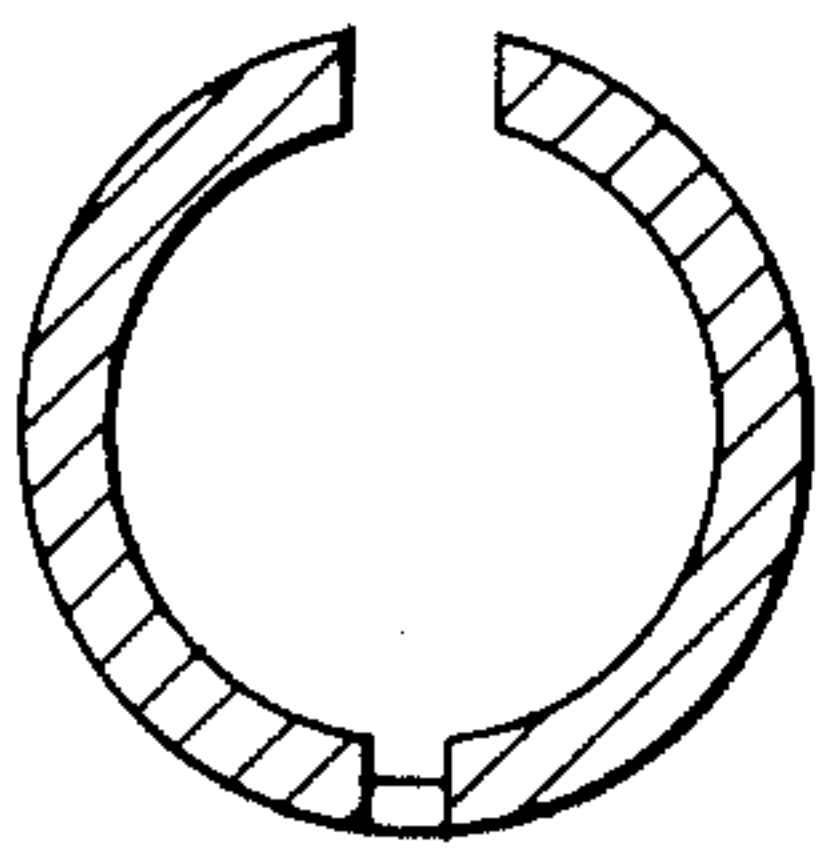


Fig. 7

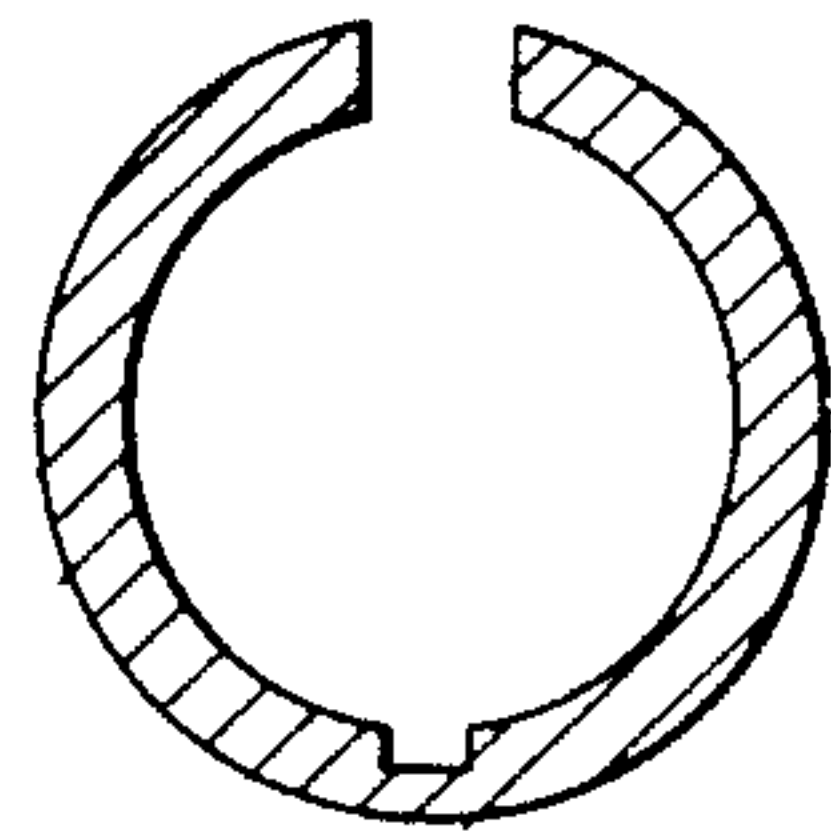


Fig. 8

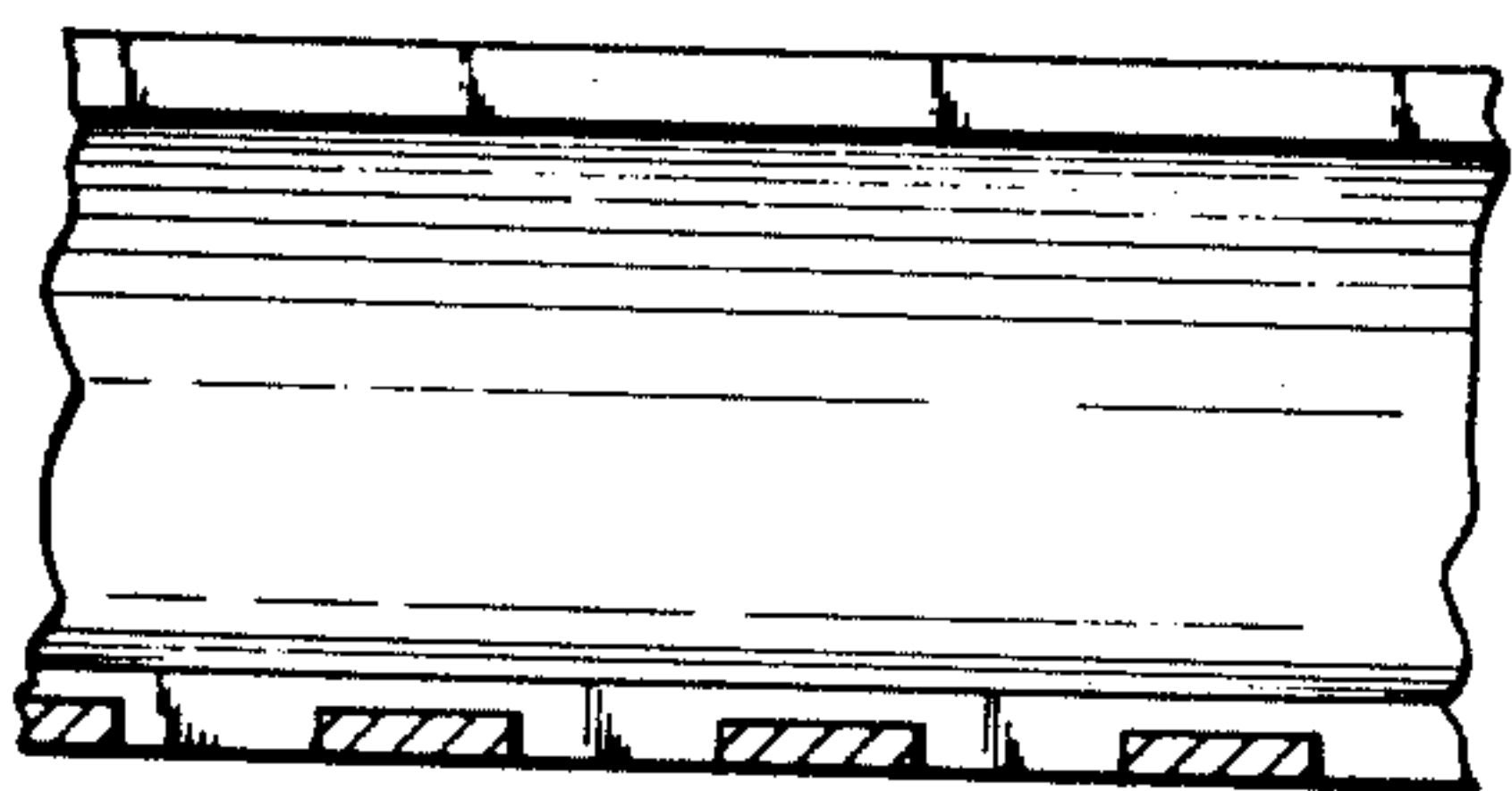


Fig. 9

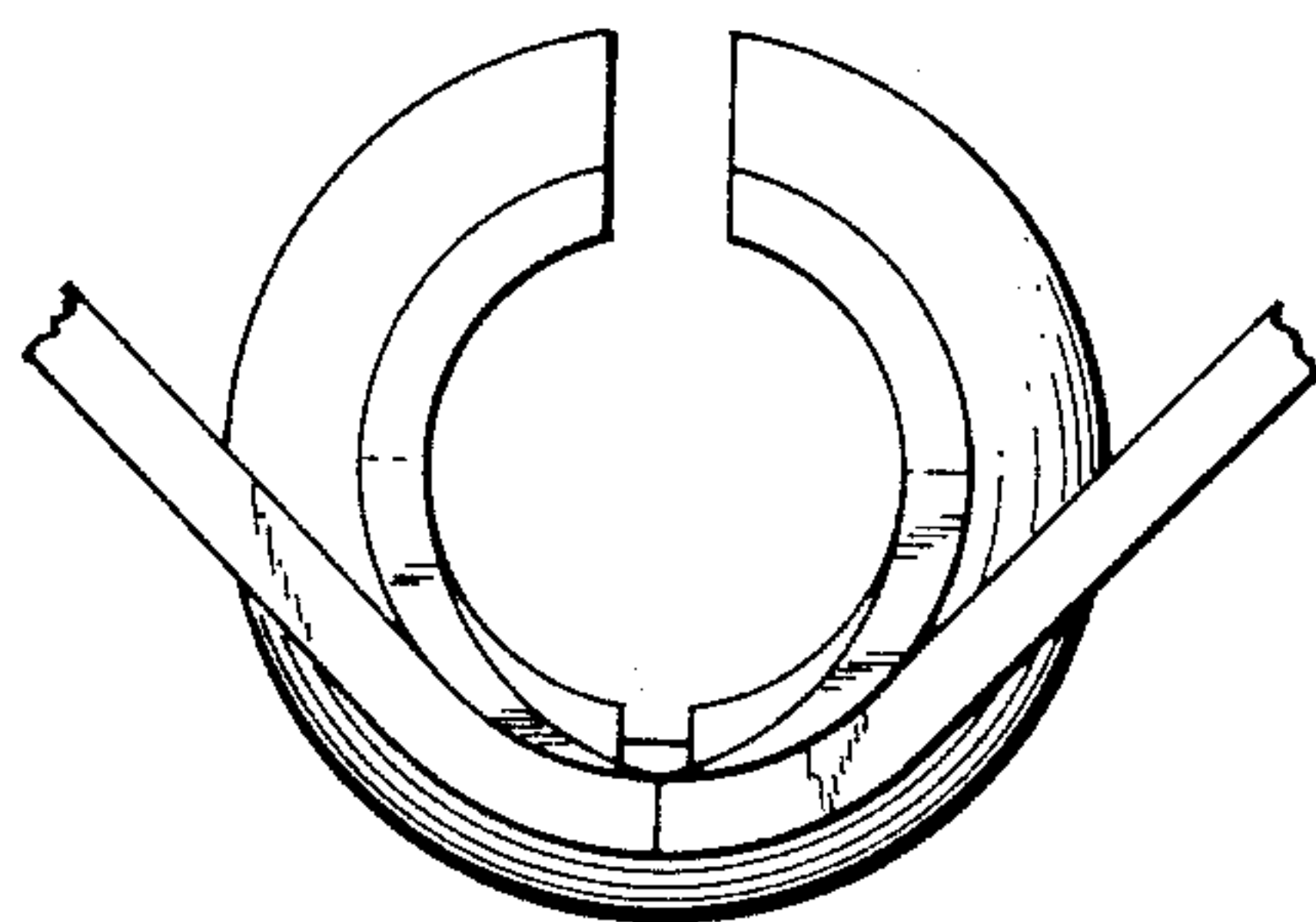


Fig. 10

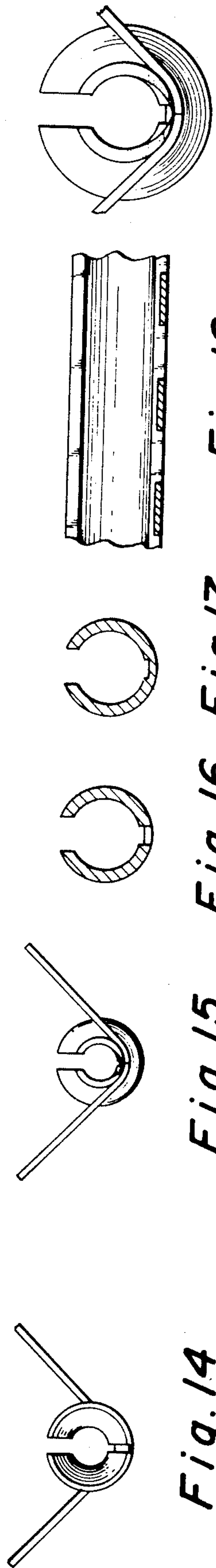
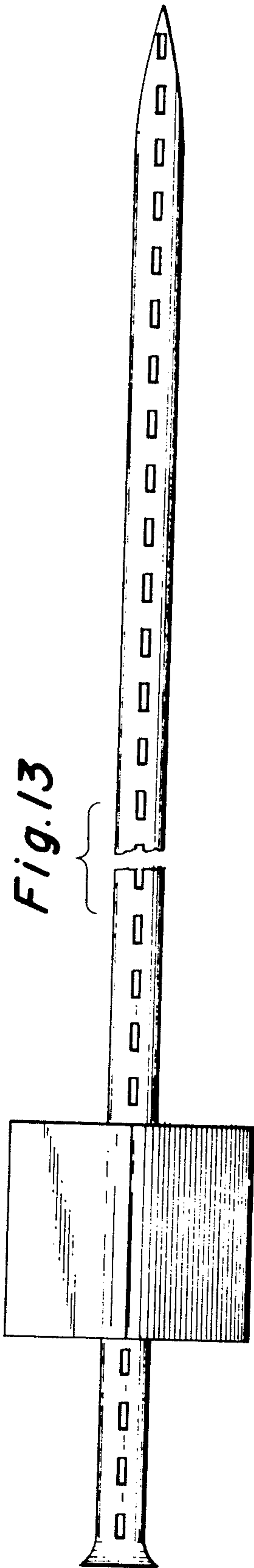
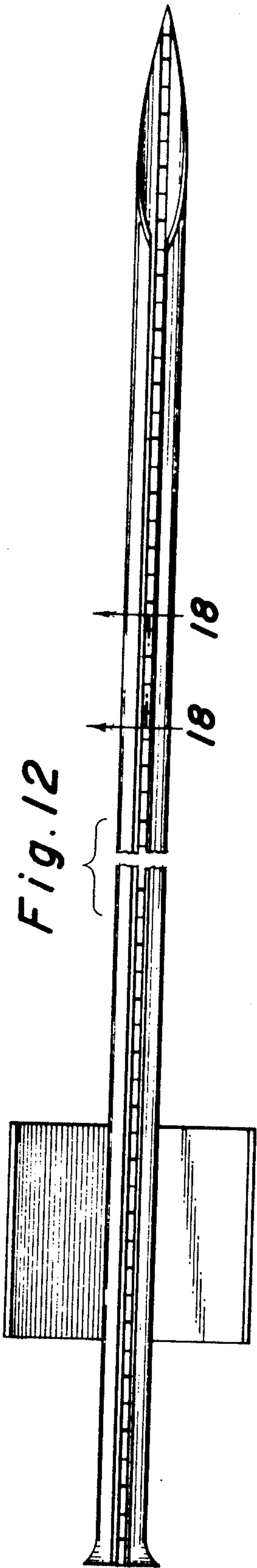
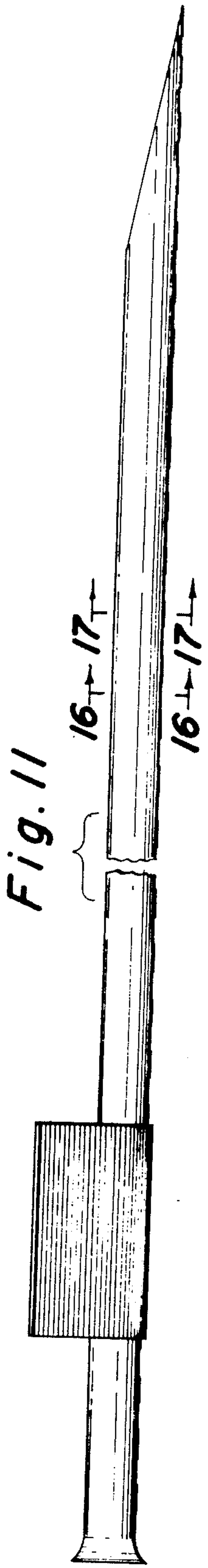


Fig. 11

Fig. 12

Fig. 13

Fig. 14

Fig. 15

Fig. 16

Fig. 17

Fig. 18

Fig. 19