

[54] COMBINED FIREPLACE FRONT AND HEAT EXCHANGE GRATE

[75] Inventor: Theodore R. Bergstrom, St. Paul, Minn.

[73] Assignee: Thermograte, Inc.

[**] Term: 14 Years

[21] Appl. No.: 765,410

[22] Filed: Feb. 3, 1977

[51] Int. Cl. D23-03; D7-08

[52] U.S. Cl. D23/94; D7/207

[58] Field of Search D23/94-97; D7/206-213; 126/120, 121, 138, 140, 164, 165, 202, 298

[56] References Cited

U.S. PATENT DOCUMENTS

D. 228,728	10/1973	Bergstrom	D7/207
D. 240,536	7/1976	Christophol	D23/94
2,743,720	5/1956	Dollinger	126/121
2,789,554	4/1957	Dupler	126/63
3,452,737	7/1969	Pellegrino et al.	126/121
3,901,212	8/1975	Stites	126/165
3,938,496	2/1976	Kampf et al.	D7/207 X

OTHER PUBLICATIONS

Dual Action Fireplace Furnace sold by Stone Castle, Inc., 6160-90th Ave., S.E., Mercer Island, Washington, 98040.

"Elegance 1" by General Products Corp. Inc., 150 Ardale St., West Haven, Conn. 06516.

Primary Examiner—James R. Largen

Attorney, Agent, or Firm—Norman P. Friederichs

[57] CLAIM

The ornamental design for a combined fireplace front and heat exchange grate, as shown and described.

DESCRIPTION

FIG. 1 is a perspective view of a combined fireplace front and heat exchange grate showing my new design; FIG. 2 is a left side elevational view thereof; FIG. 3 is a rear elevational view thereof; FIG. 4 is a top plan view thereof; FIG. 5 is a bottom plan view thereof; FIG. 6 is a front elevational view of a modified form of the combined fireplace front and heat exchange grate shown in FIG. 1; FIG. 7 is a left side elevational view of FIG. 6; FIG. 8 is a right side elevational view of FIG. 6; FIG. 9 is a top plan view of FIG. 6; and FIG. 10 is a bottom plan view of FIG. 6.

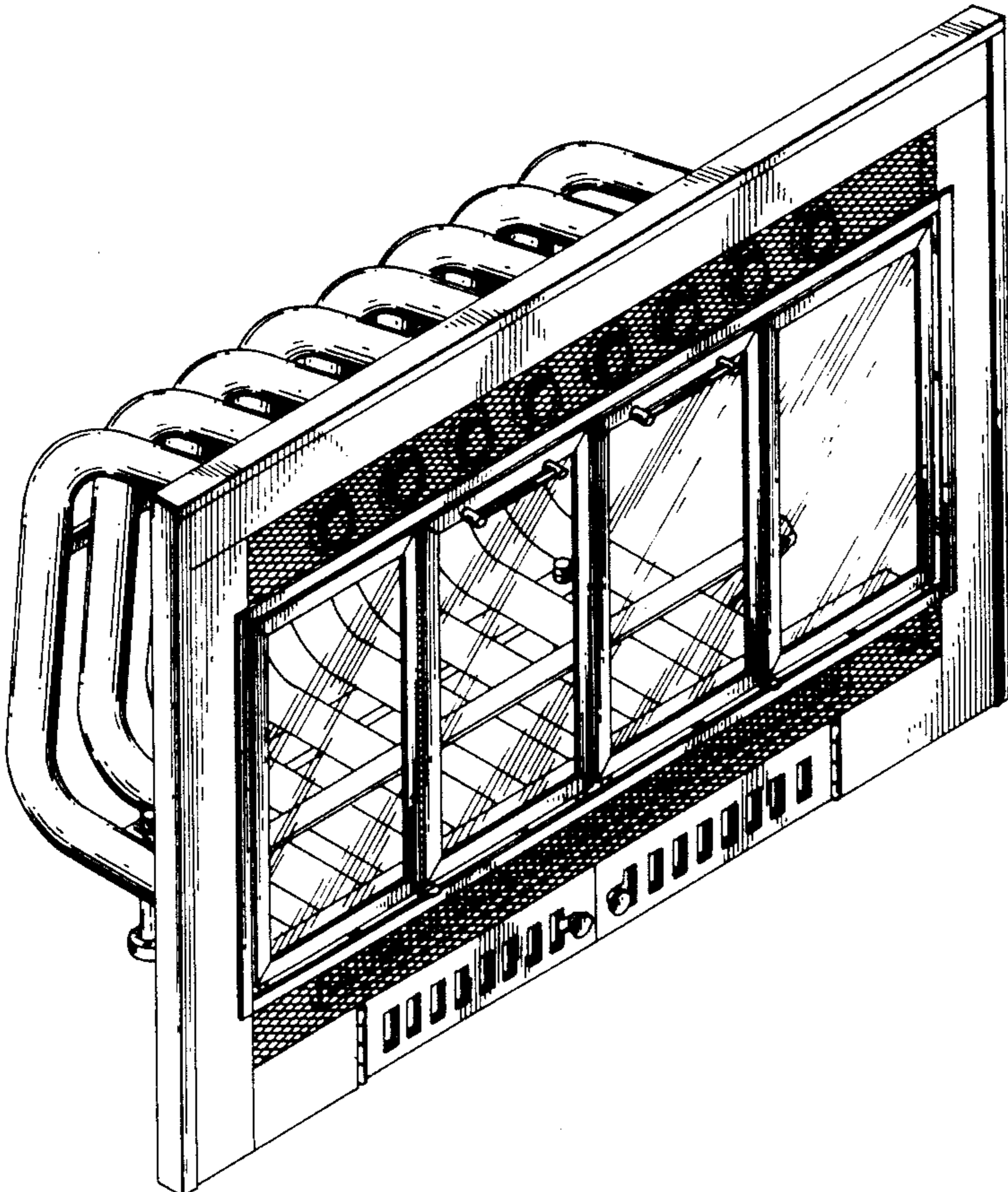


FIG. 1

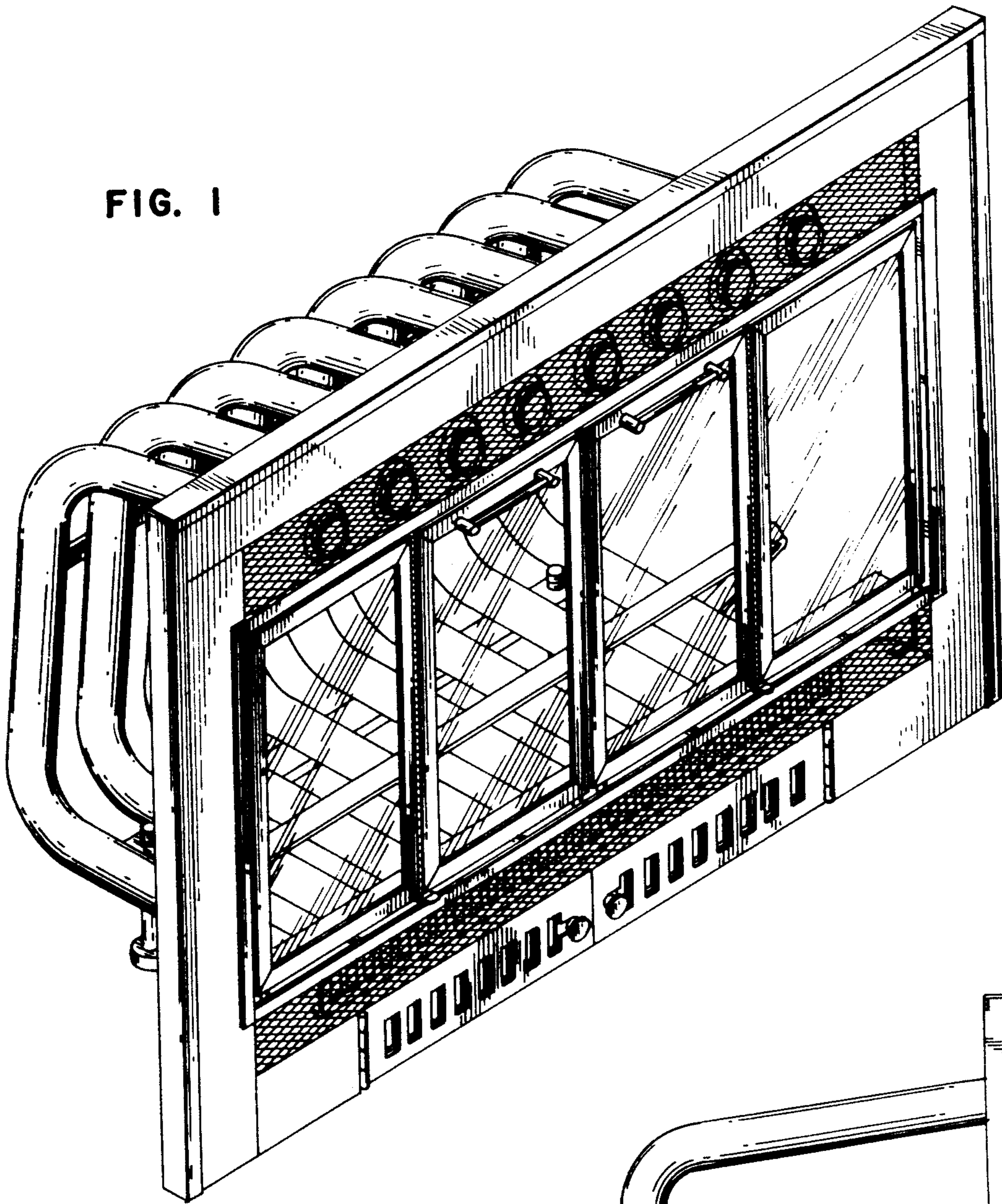


FIG. 2

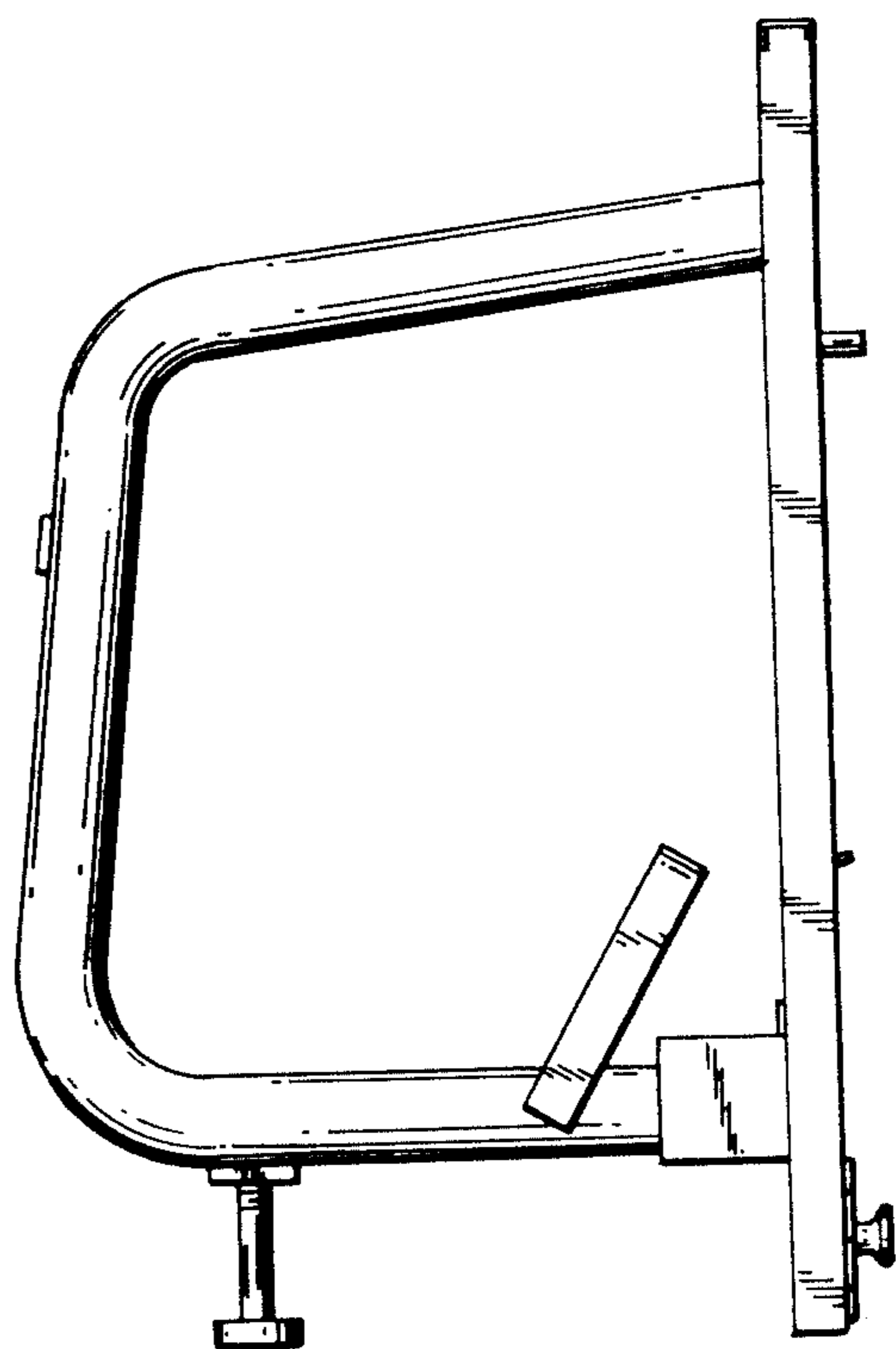


FIG. 3

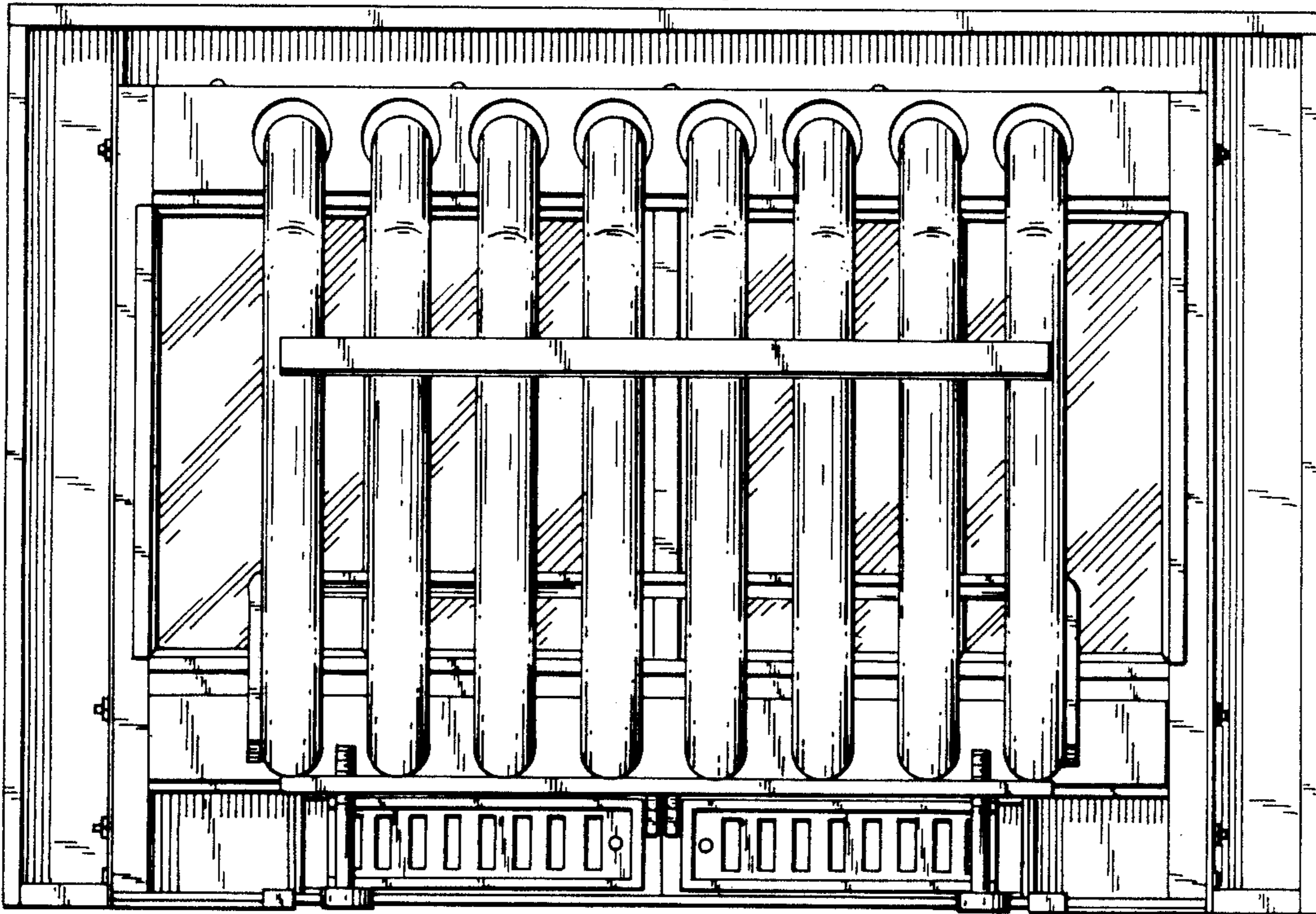


FIG. 4

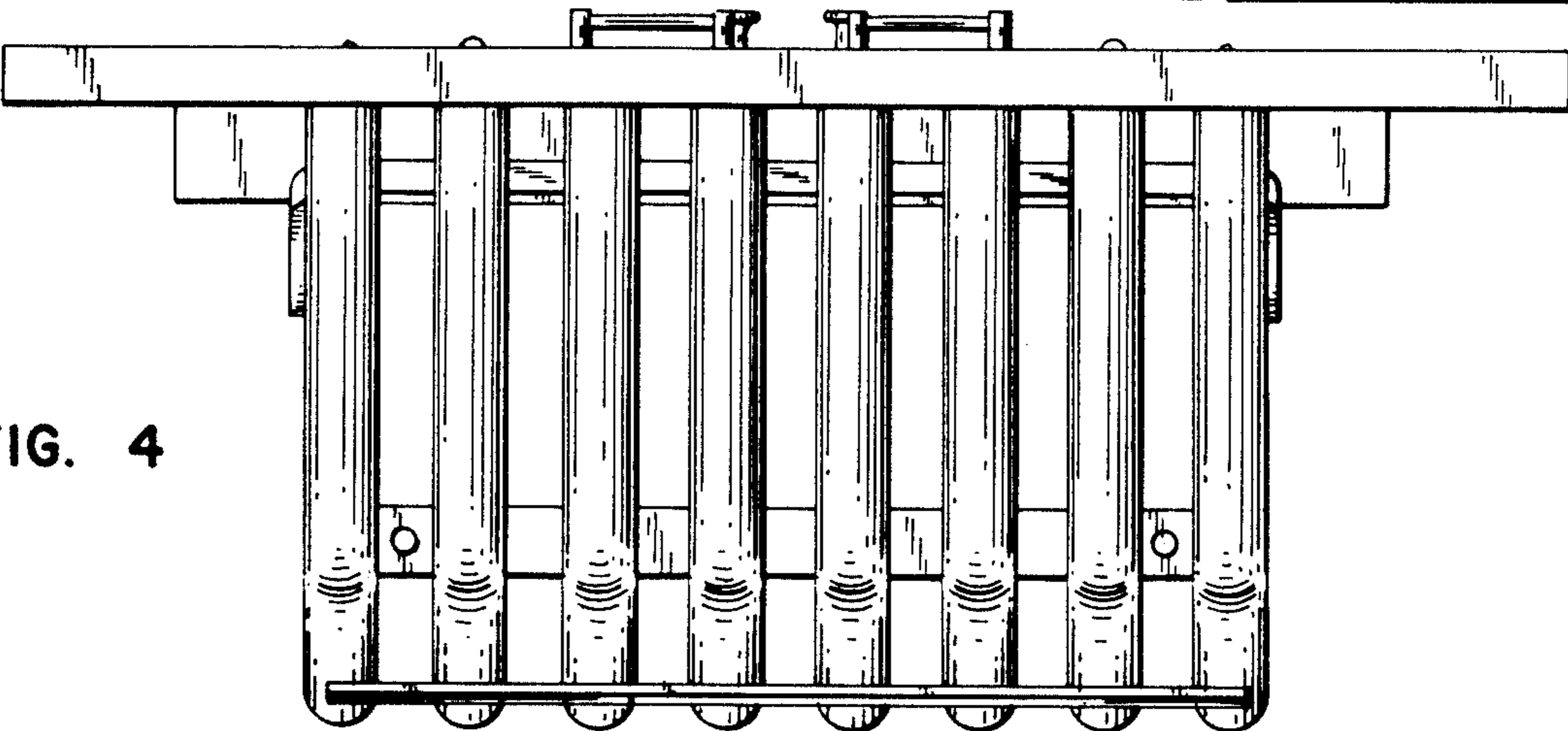


FIG. 5

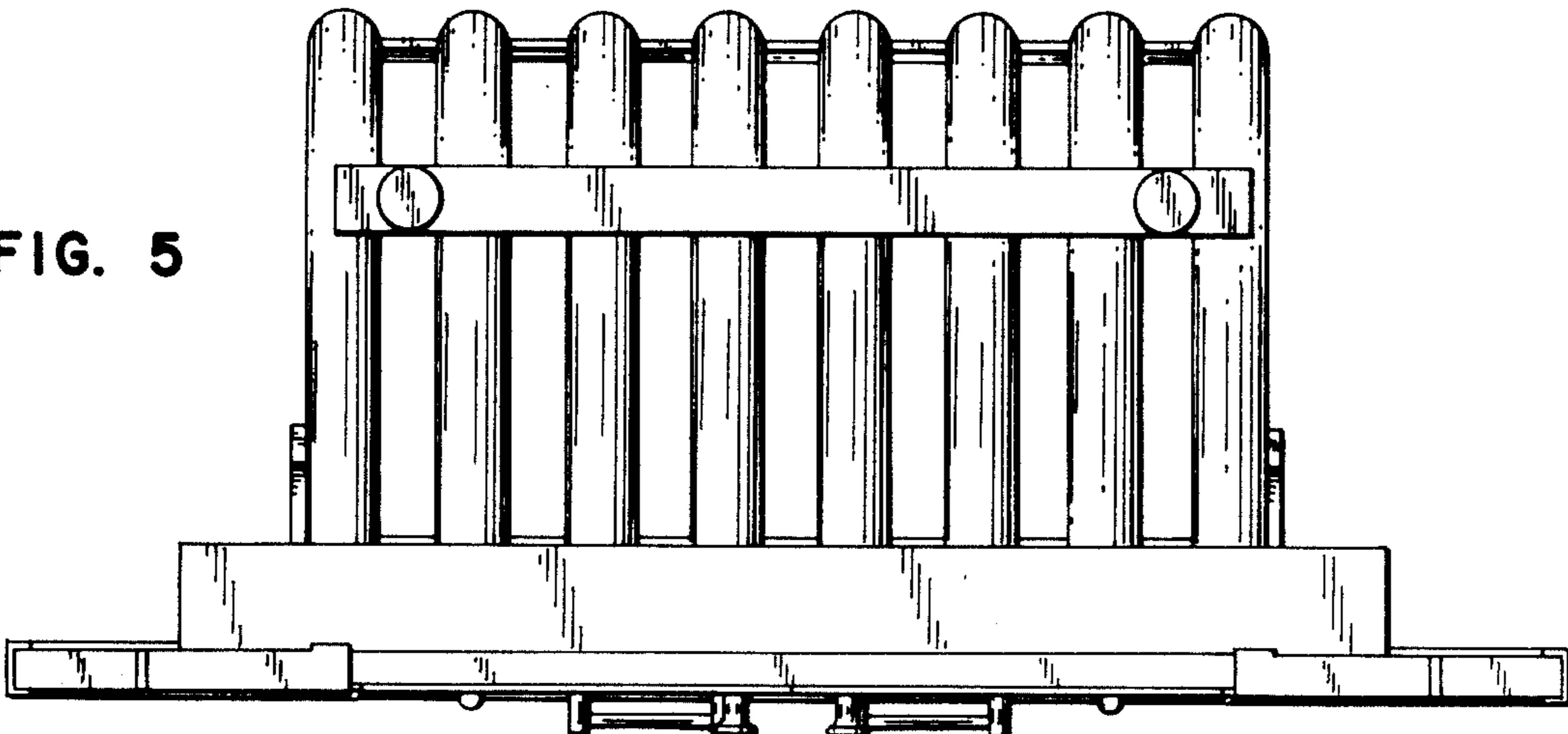


FIG. 6

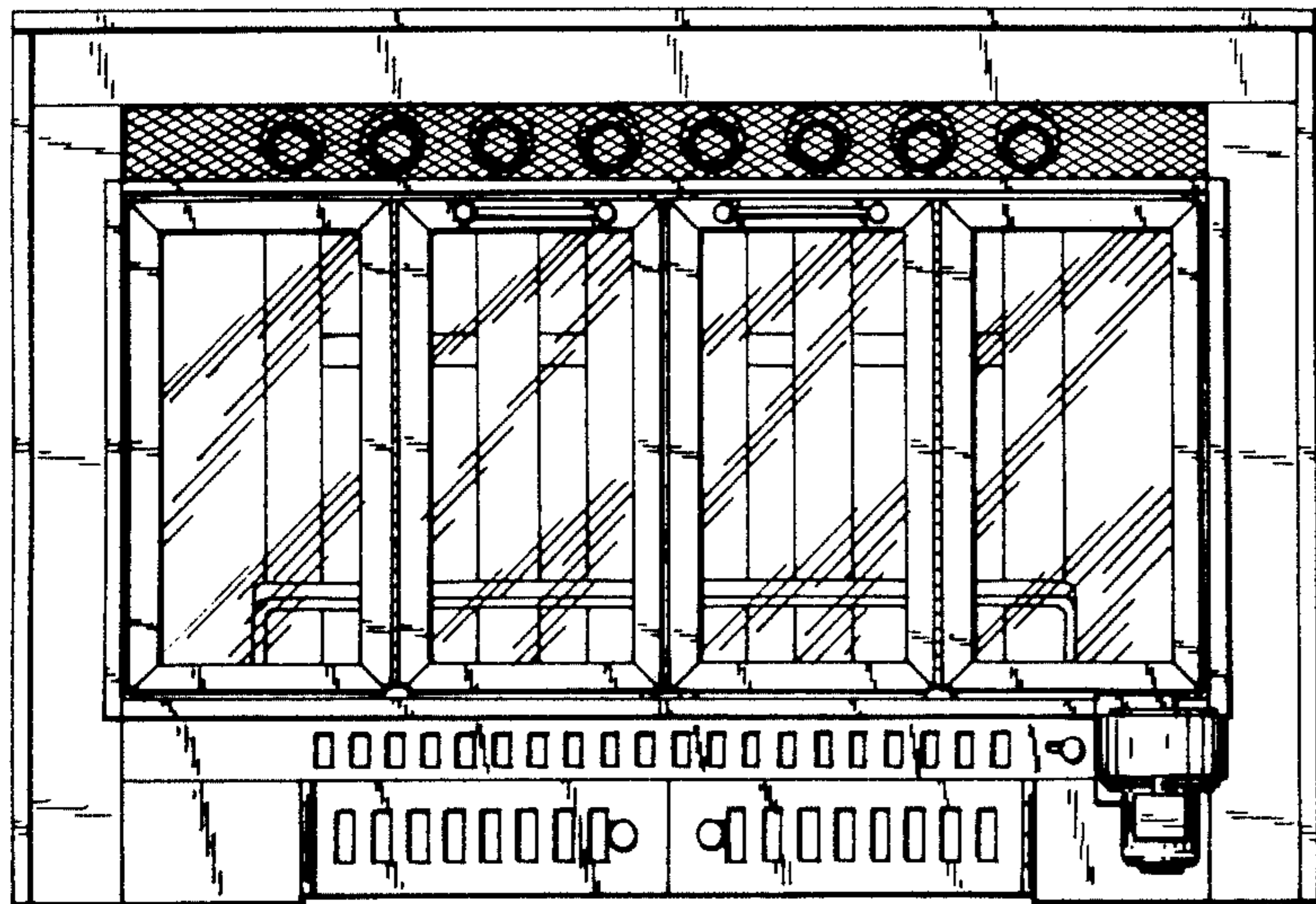


FIG. 7

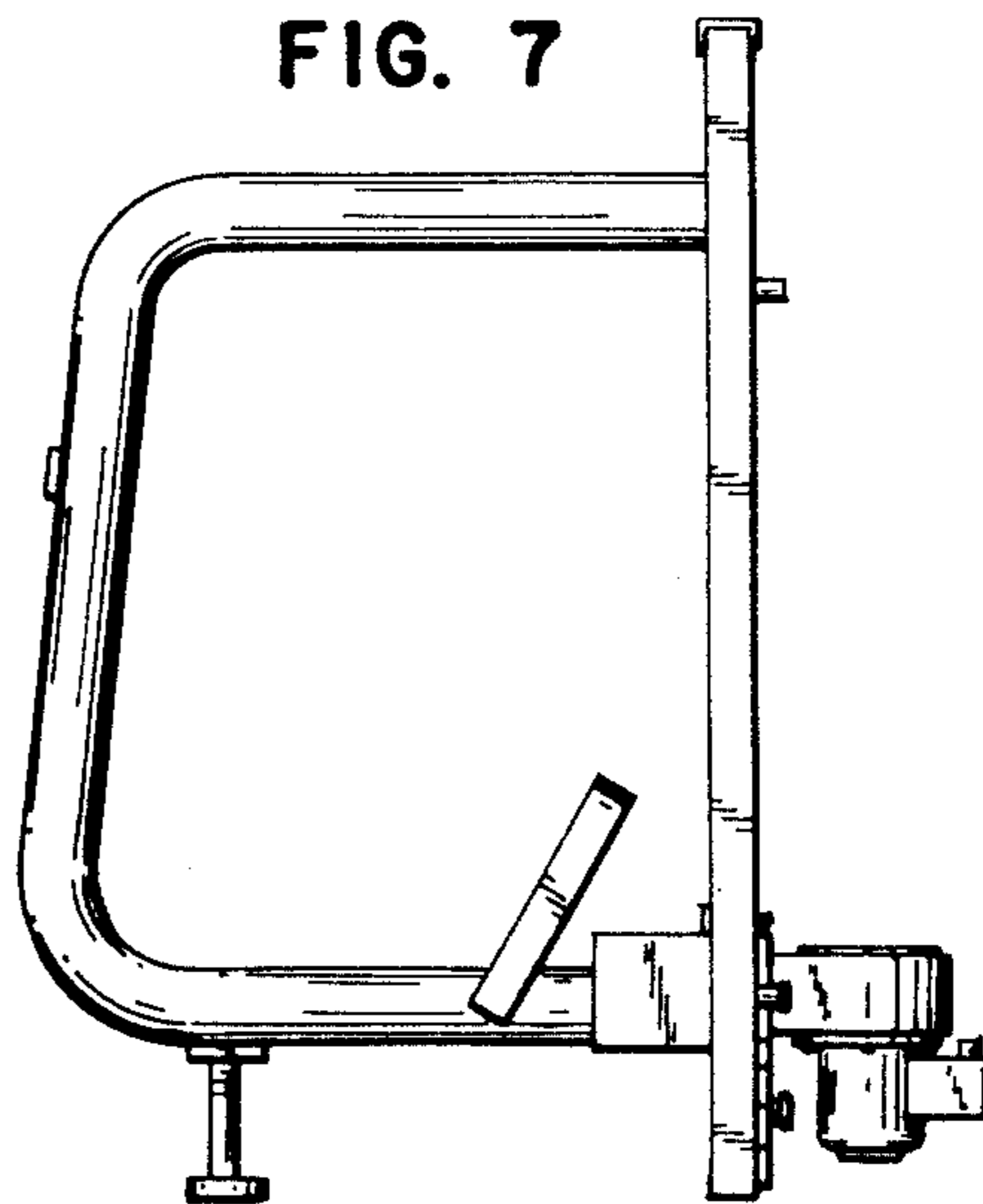


FIG. 9

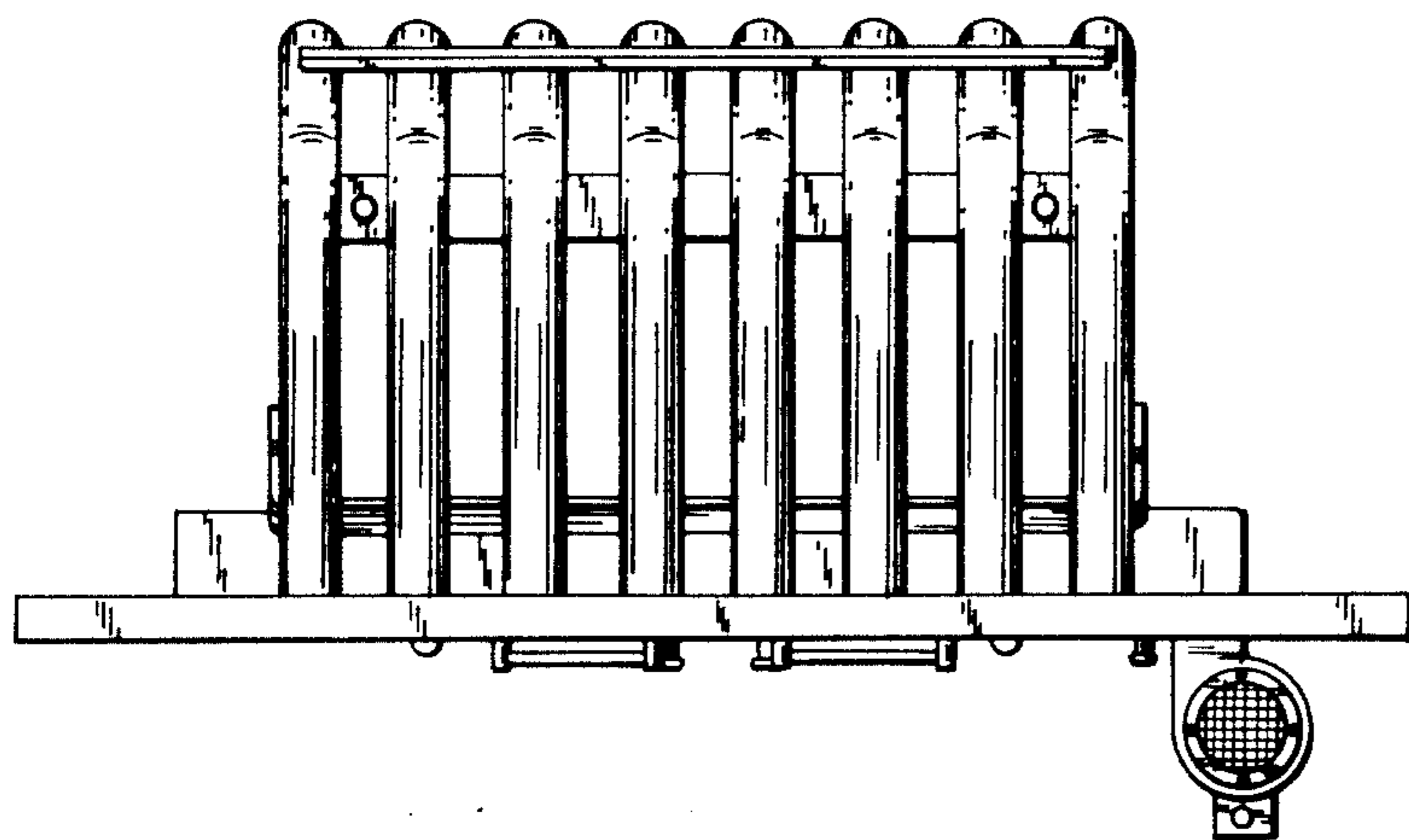


FIG. 8

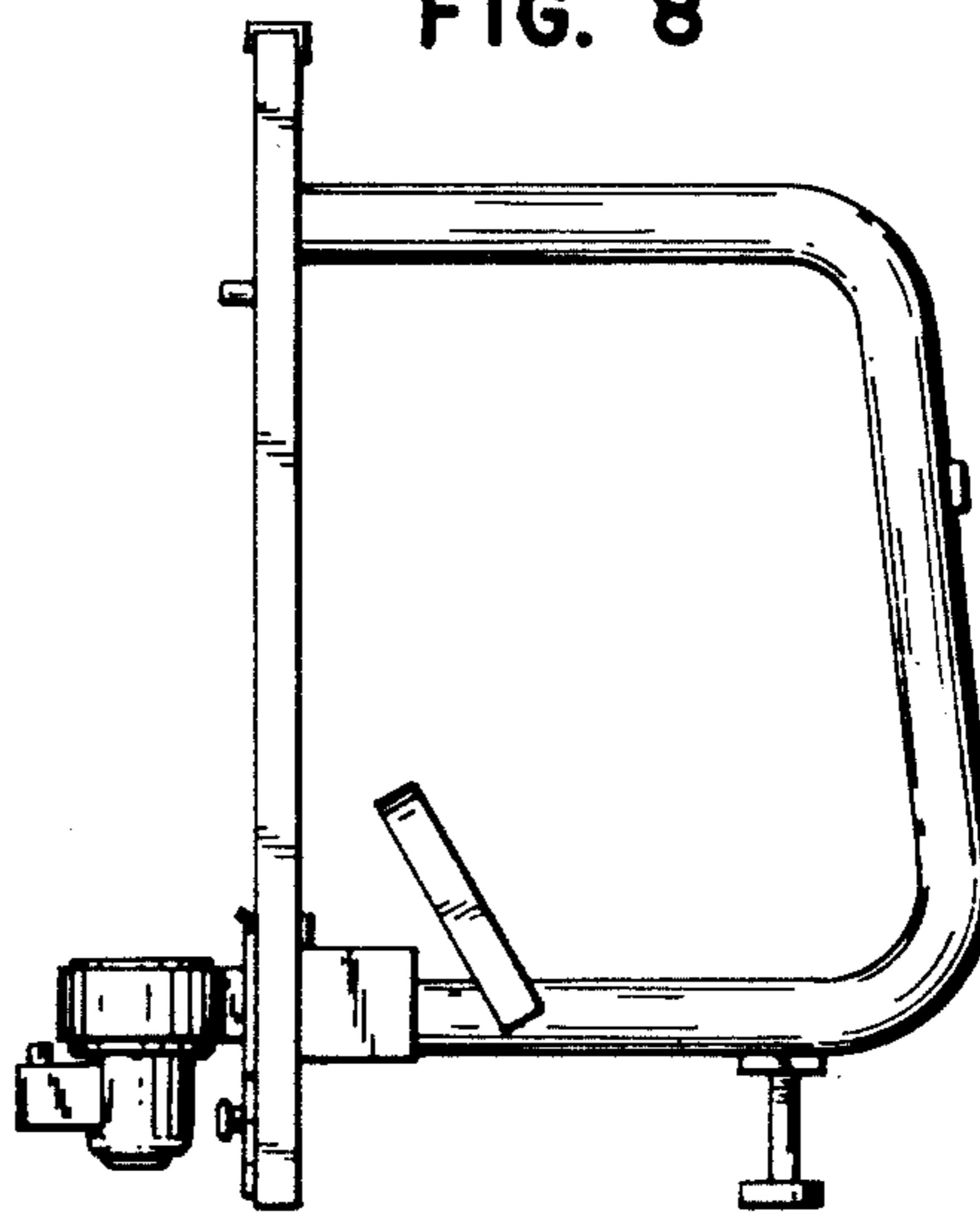


FIG. 10

