

- [54] **MICROFILM READER OR THE LIKE** 3,667,839 6/1972 Artaud D16/14 X
- [75] Inventor: **Richard Joseph Olson**, Webster, N.Y.
- [73] Assignee: **Eastman Kodak Company**, Rochester, N.Y.
- [**] Term: **14 Years**
- [21] Appl. No.: **780,871**
- [22] Filed: **Mar. 24, 1977**
- [51] Int. Cl. **D16-03**
- [52] U.S. Cl. **D16/18**
- [58] Field of Search **D16/11, 14, 15, 17, D16/18; 353/15-19, 22-24, 68, 71, 72, 74-80, 119; 40/106.1**

[56] **References Cited**

U.S. PATENT DOCUMENTS

D. 164,153	8/1951	Barth	D16/18
D. 200,982	4/1965	Martinez	D16/17
D. 228,207	8/1973	Hoehne	D16/18
D. 236,544	8/1975	Kuypers	D16/18
D. 242,448	11/1976	Tairraz	D16/14

OTHER PUBLICATIONS

Research Disclosure, vol. 154, No. 15420-pub. Feb. 1977-Microimage Reader.

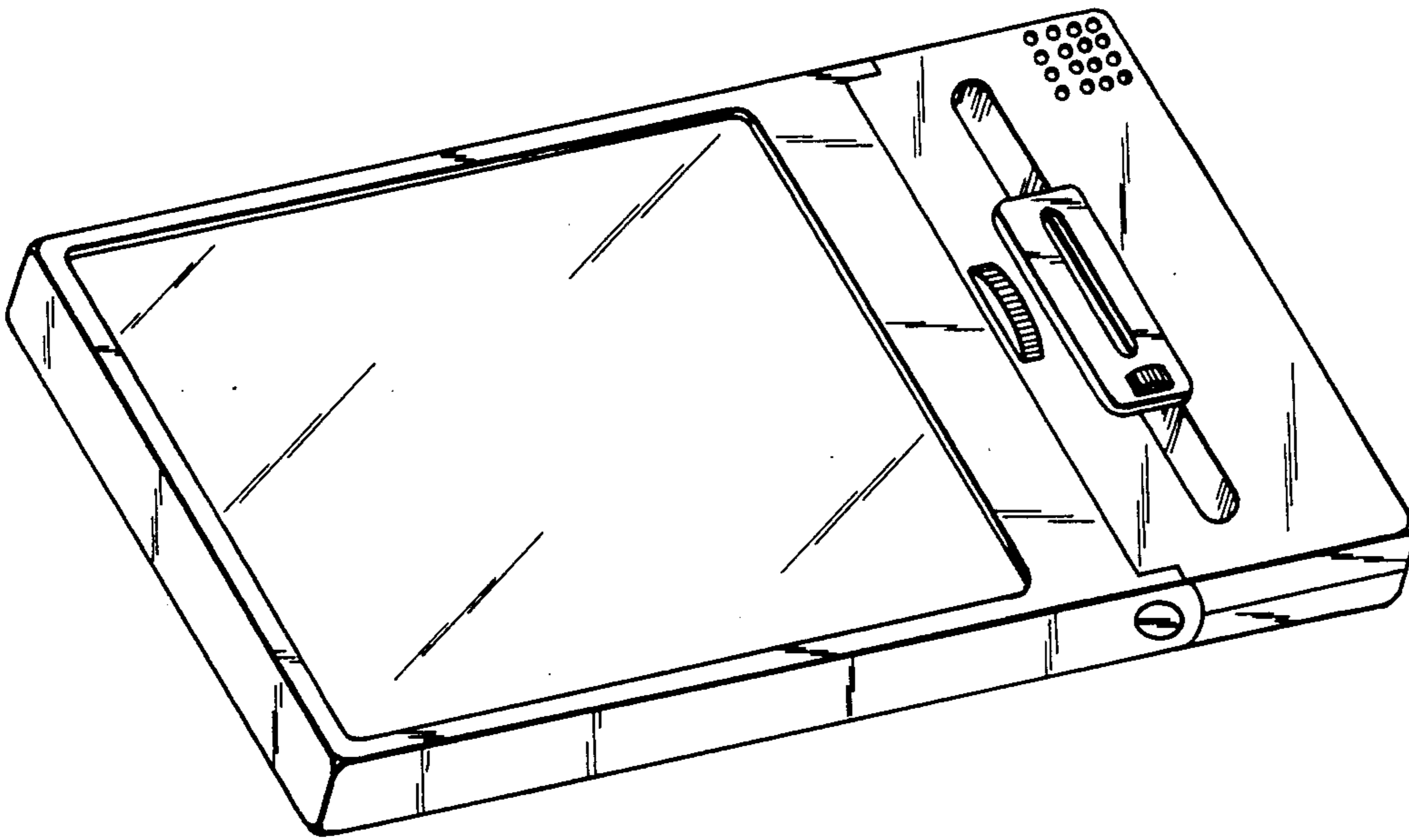
Primary Examiner—Wallace R. Burke
Assistant Examiner—Catherine Kemper
Attorney, Agent, or Firm—Dennis R. Arndt

[57] **CLAIM**

The ornamental design for a microfilm reader or the like, as shown and described.

DESCRIPTION

FIG. 1 is a top, front and left perspective view of a microfilm reader or the like showing my new design in the closed position;
FIG. 2 is a bottom, back and right perspective view thereof;
FIG. 3 is the same as FIG. 1 but in the open or operative position; and
FIG. 4 is the same as FIG. 2 but in the open or operative position.



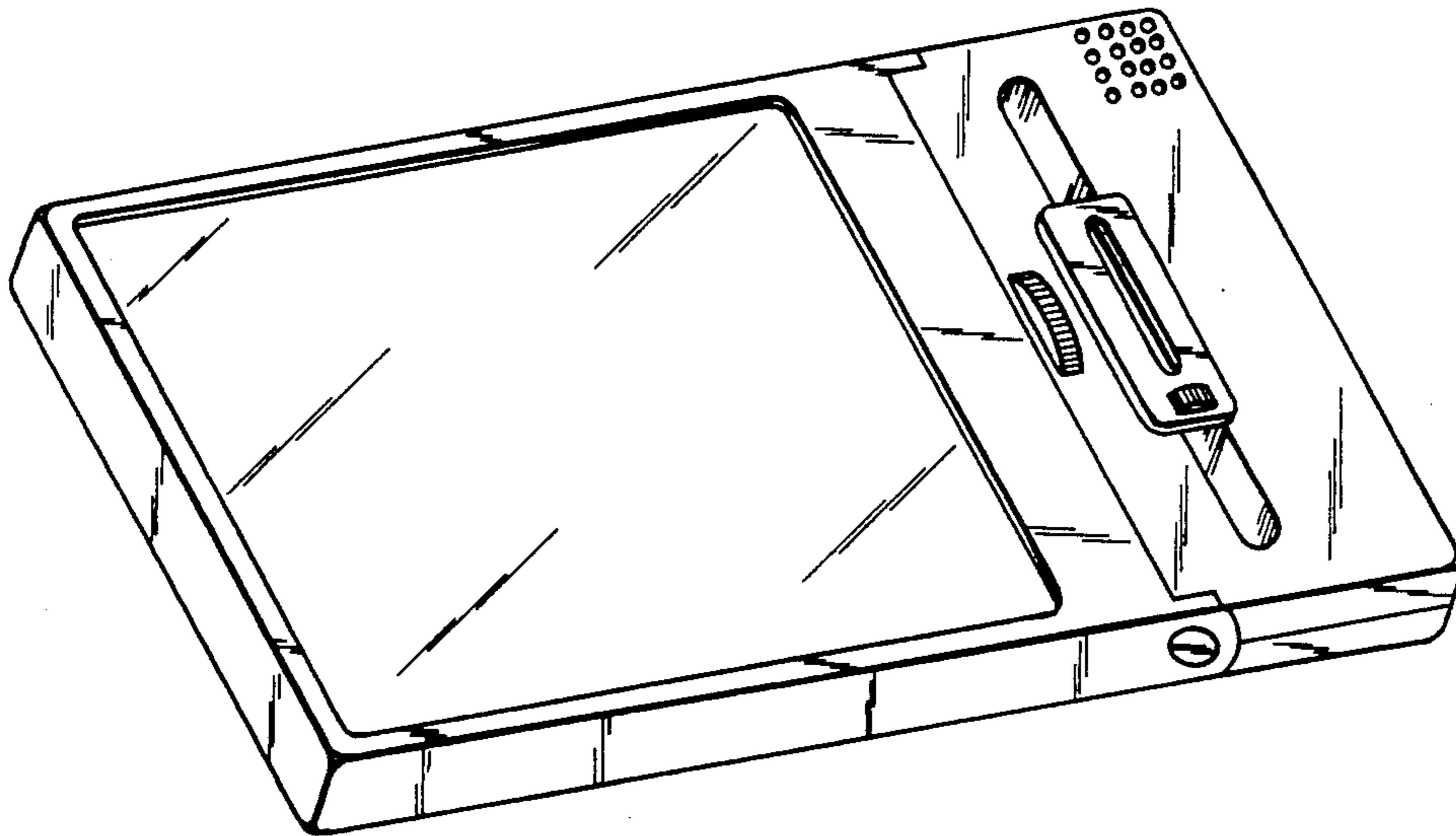


FIG. 1

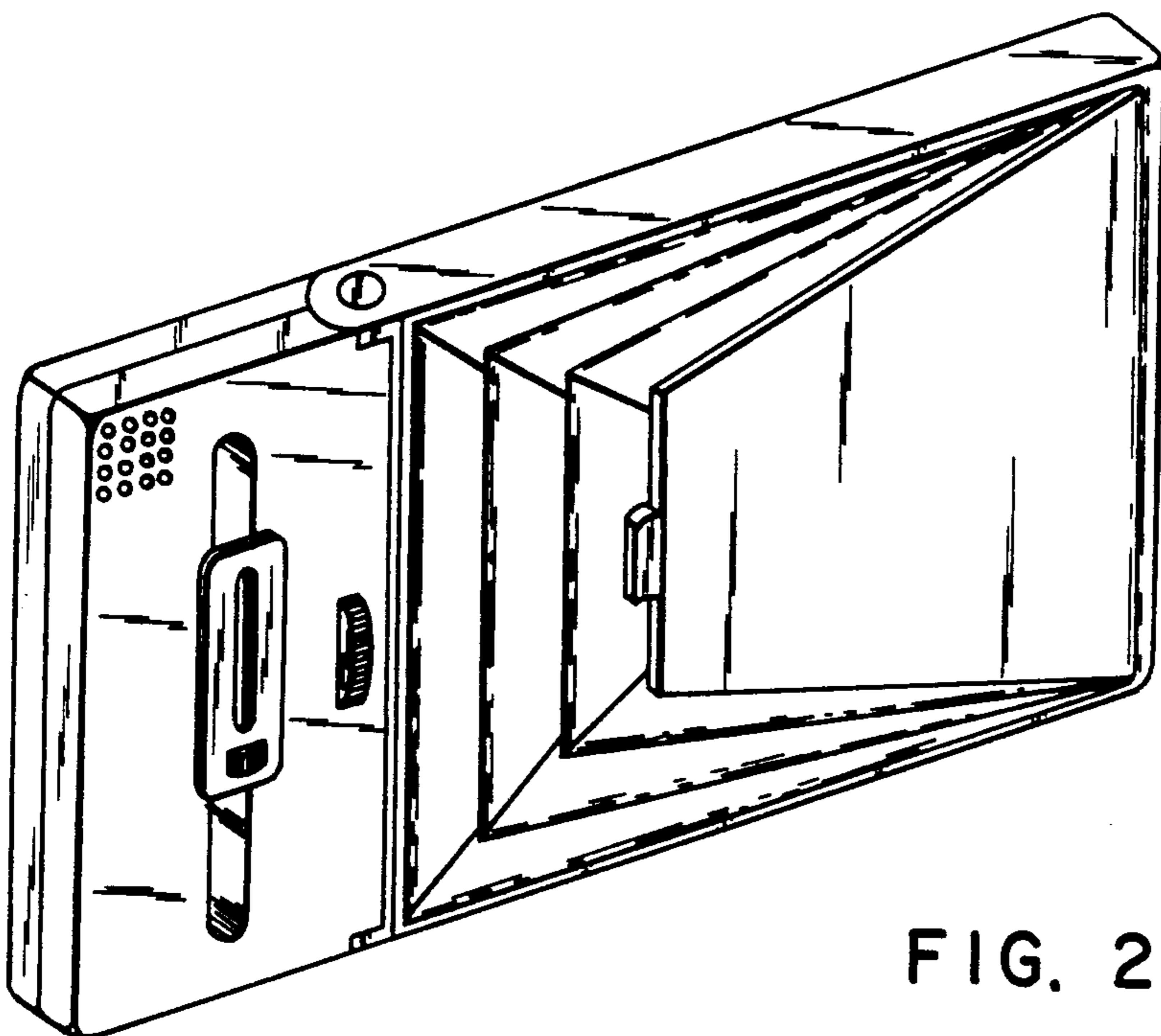


FIG. 2

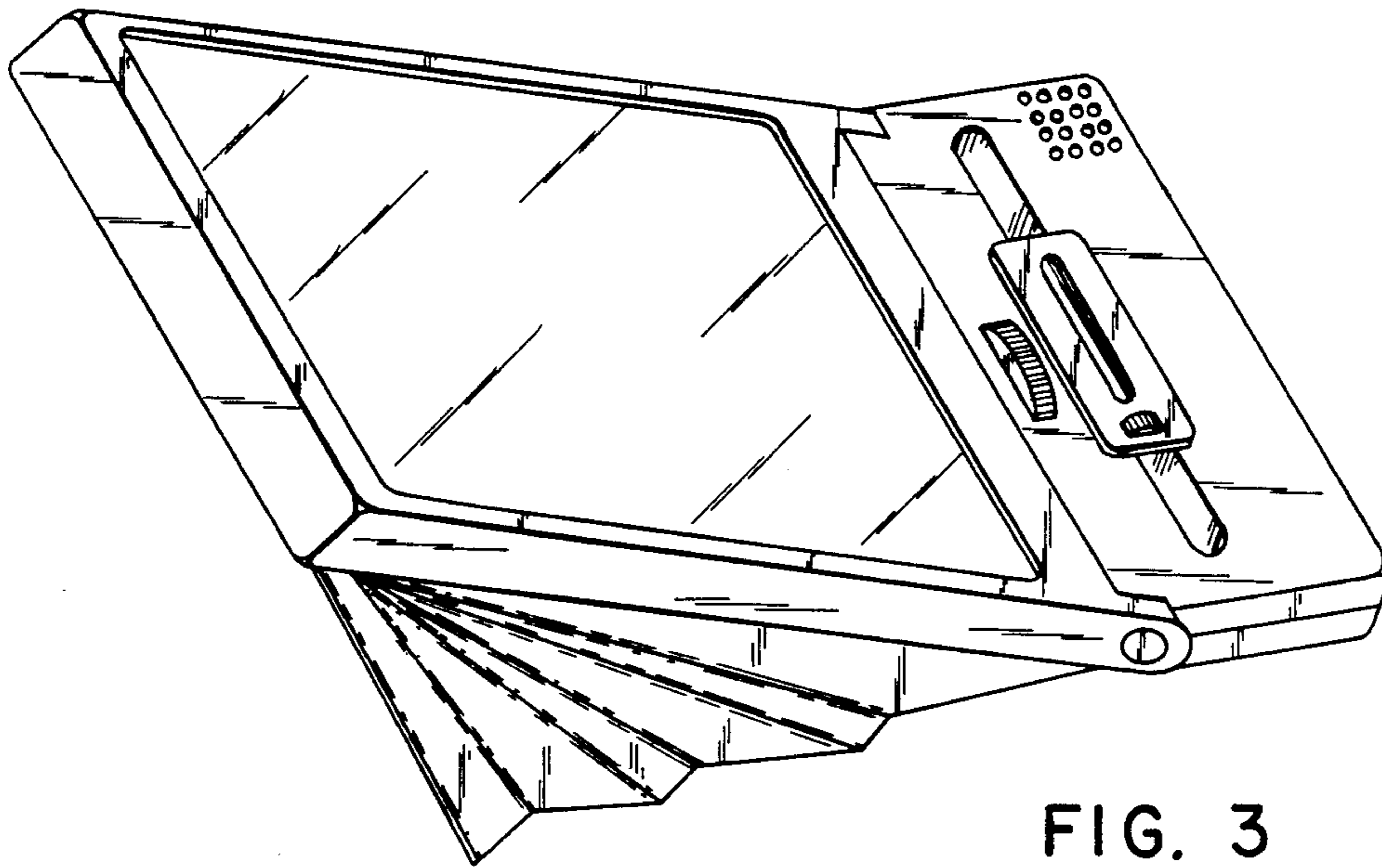


FIG. 3

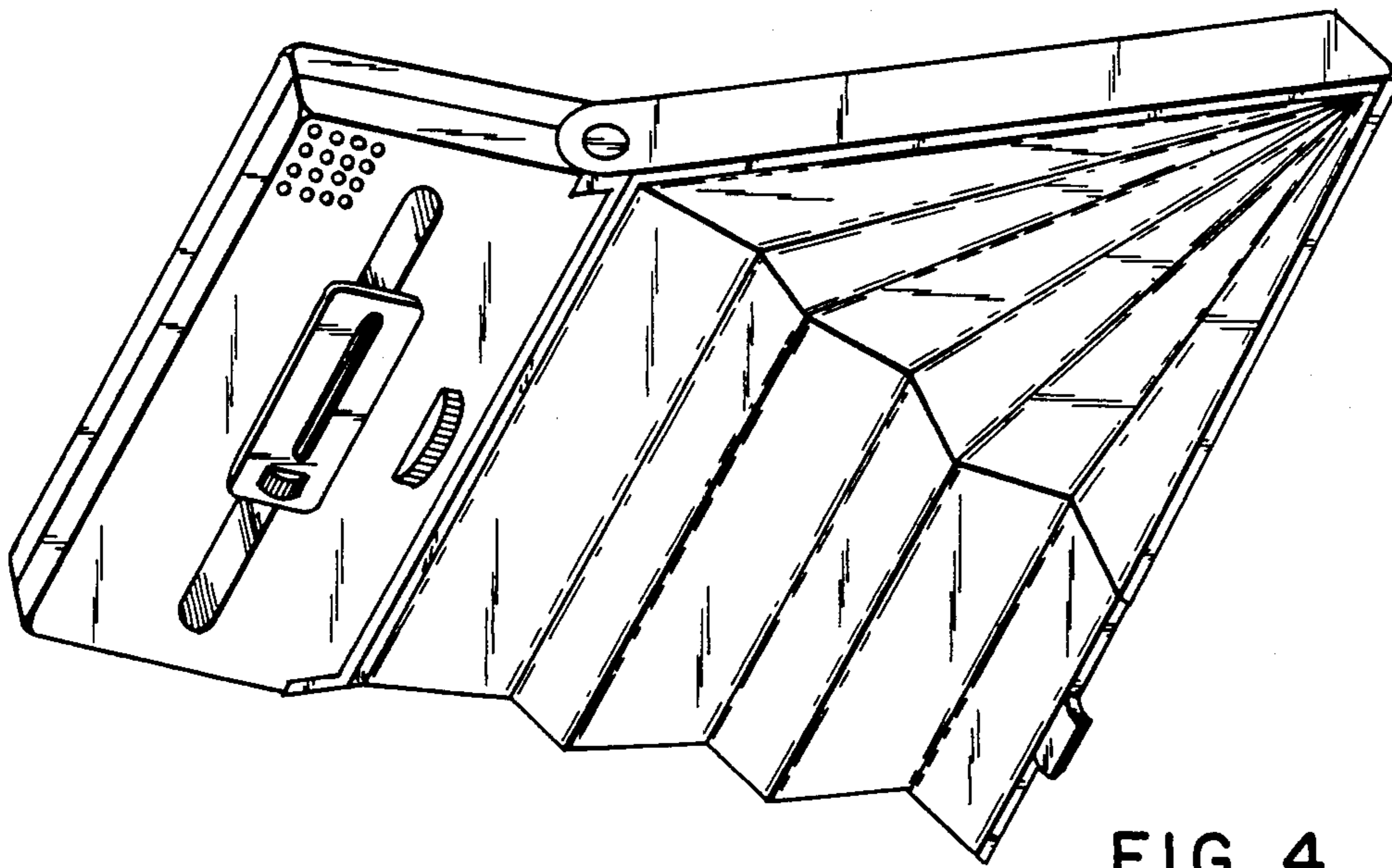


FIG. 4