

[54] CONTROL CONSOLE FOR SWIMMING POOL GUARD SYSTEM

[76] Inventor: Gordon G. Thornley, 3333 N. Gulf Shore Dr., Naples, Fla. 33940

[**] Term: 14 Years

[21] Appl. No.: 690,550

[22] Filed: May 27, 1976

[51] Int. Cl. D13-03

[52] U.S. Cl. D13/32; D13/40

[58] Field of Search D13/32-38, D13/40, 41; 174/50; 200/157, 293, 294, 295, 297; 361/331, 332, 334, 335, 342, 344, 346, 347, 356, 358, 359, 380, 390, 392

[56]

References Cited

U.S. PATENT DOCUMENTS

D. 219,980	2/1971	McMenamy	D13/35
2,687,498	8/1954	Rucks et al.	361/335
3,758,828	9/1973	Stefani	361/334

Primary Examiner—Susan J. Lucas
Attorney, Agent, or Firm—William E. Lucas

[57]

CLAIM

The ornamental design for a control console for swimming pool guard system, as shown and described.

DESCRIPTION

FIG. 1 is a perspective view of a control console for swimming pool guard system showing my new design; FIG. 2 is an end elevational view thereof; and FIG. 3 is a front elevational view thereof, the rear elevation being identical thereto.

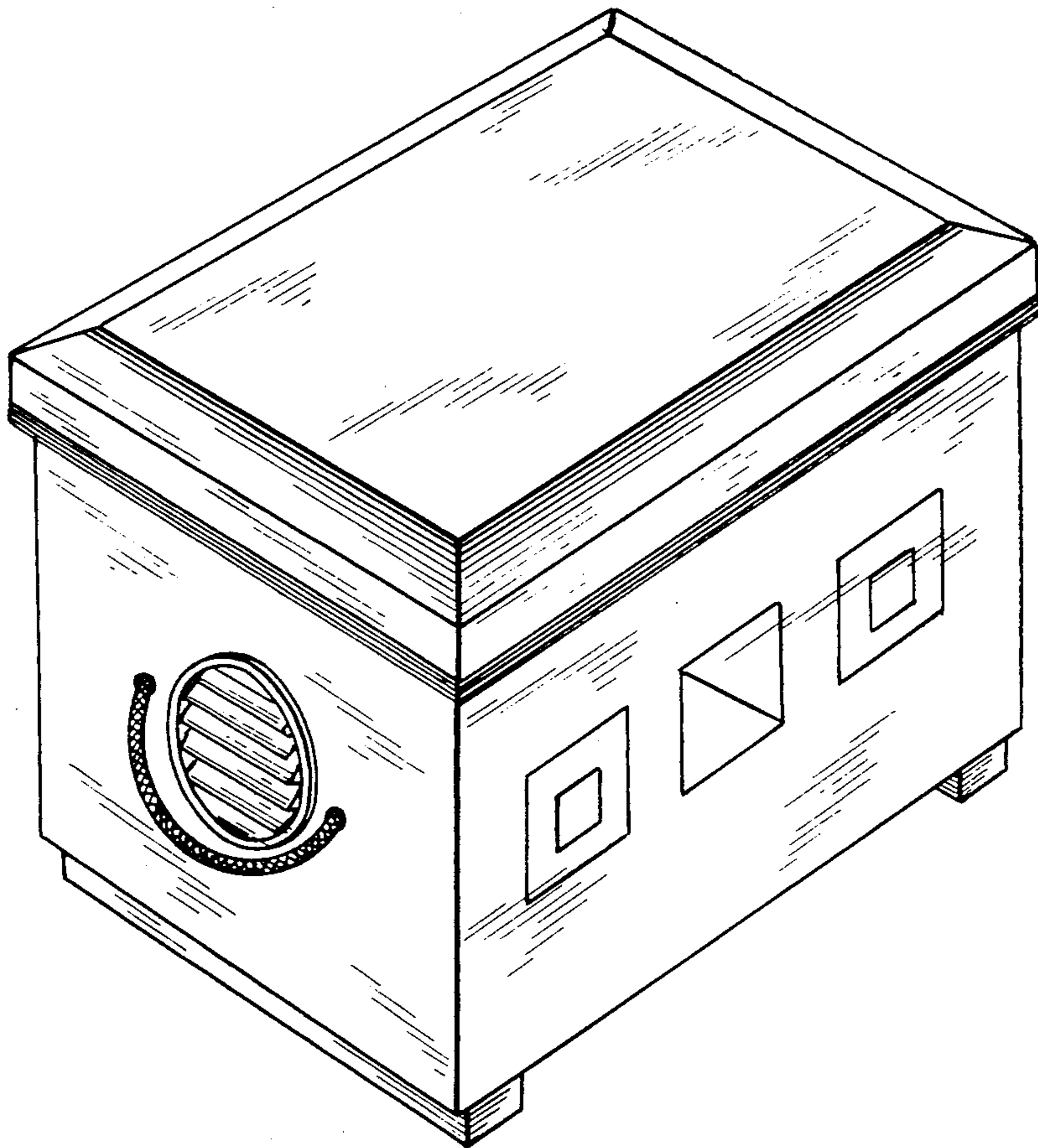


Fig. 1.

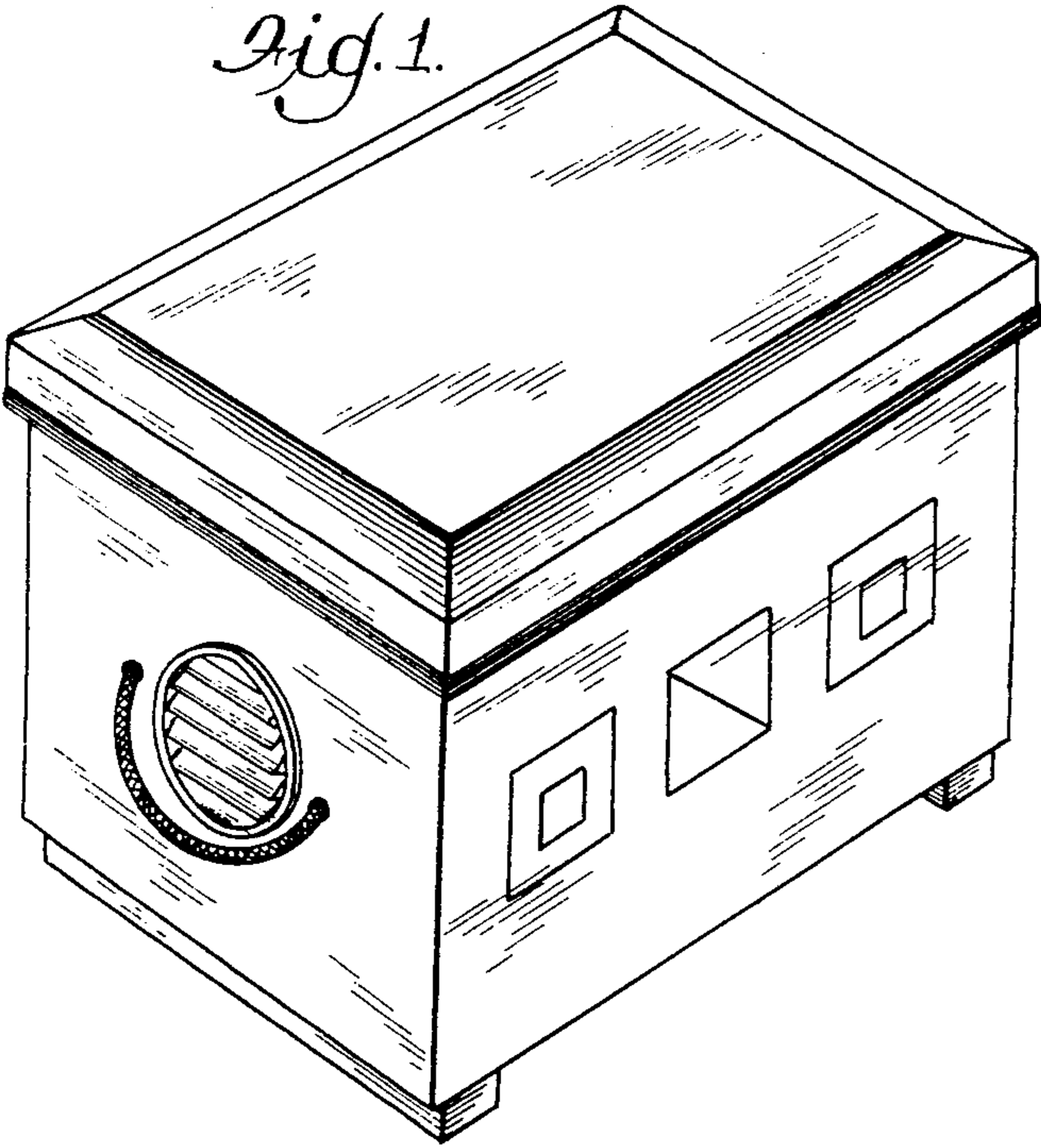


Fig. 2.

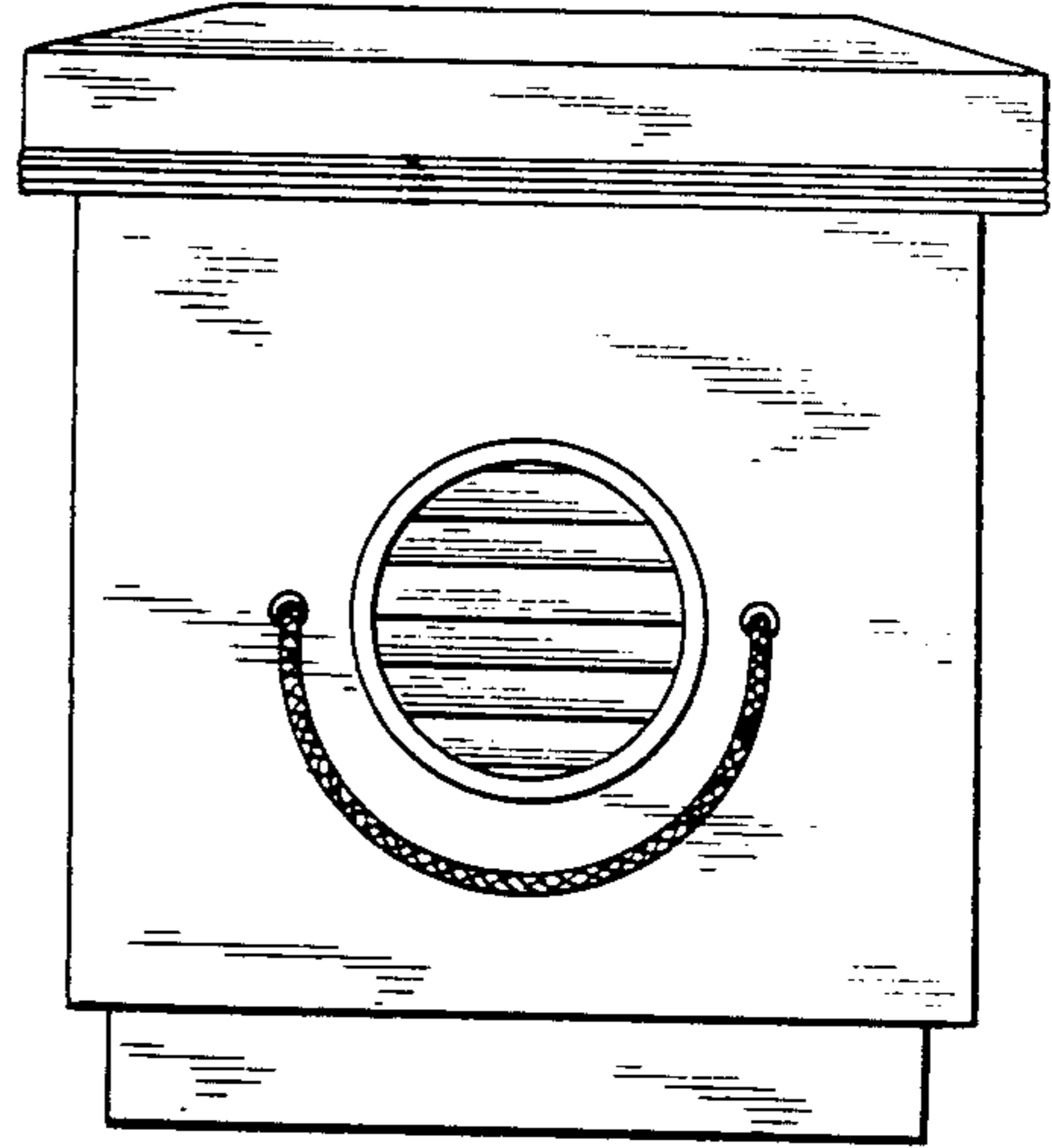


Fig. 3.

