

[54] VEHICLE LICENSE SUPPORT

OTHER PUBLICATIONS

[76] Inventor: William F. Hunter, 5168 Salem Hills La., Cincinnati, Ohio 45230

J. C. Whitney Catalog No. 320, 1973, p. 49, License Plate Frame A, lower left side of page.

[**] Term: 14 Years

Primary Examiner—Wallace R. Burke
Assistant Examiner—James M. Gandy
Attorney, Agent, or Firm—John W. Melville

[21] Appl. No.: 720,233

[57] CLAIM

[22] Filed: Sep. 3, 1976

The ornamental design for the vehicle license support, as shown and described.

[51] Int. Cl. D12-16

[52] U.S. Cl. D12/193

[58] Field of Search D12/193; 40/200, 209, 40/210

DESCRIPTION

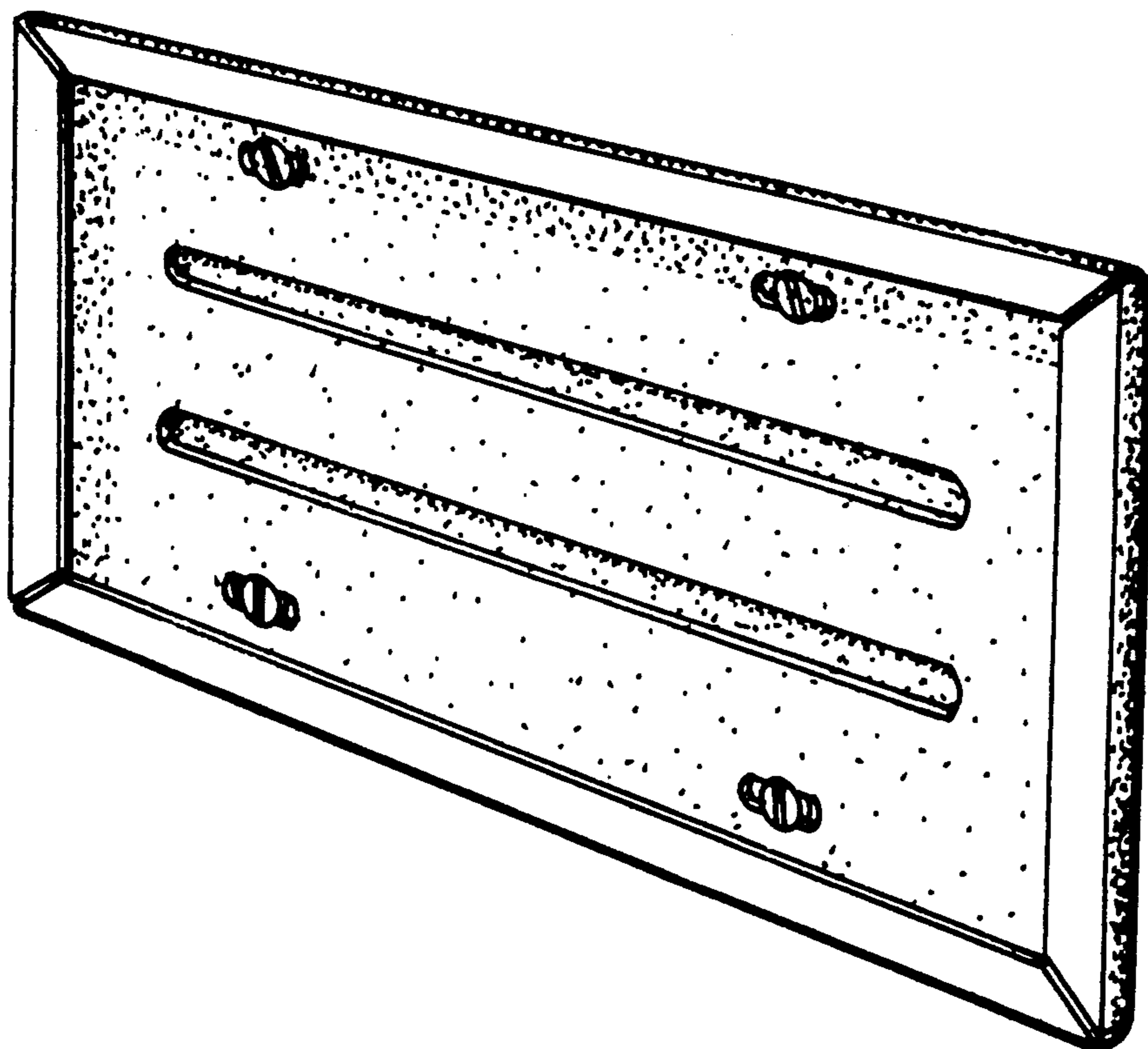
FIG. 1 is a perspective view of the vehicle license support showing my new design;
FIG. 2 is a front elevational view;
FIG. 3 is a rear elevational view;
FIG. 4 is a top plan view; and
FIG. 5 is a side elevational view thereof.

The side and bottom of the vehicle license support not shown are mirror images of the side and top shown in FIGS. 5 and 4, respectively.

[56] References Cited

U.S. PATENT DOCUMENTS

2,624,966 1/1953 Baumgartner D12/193



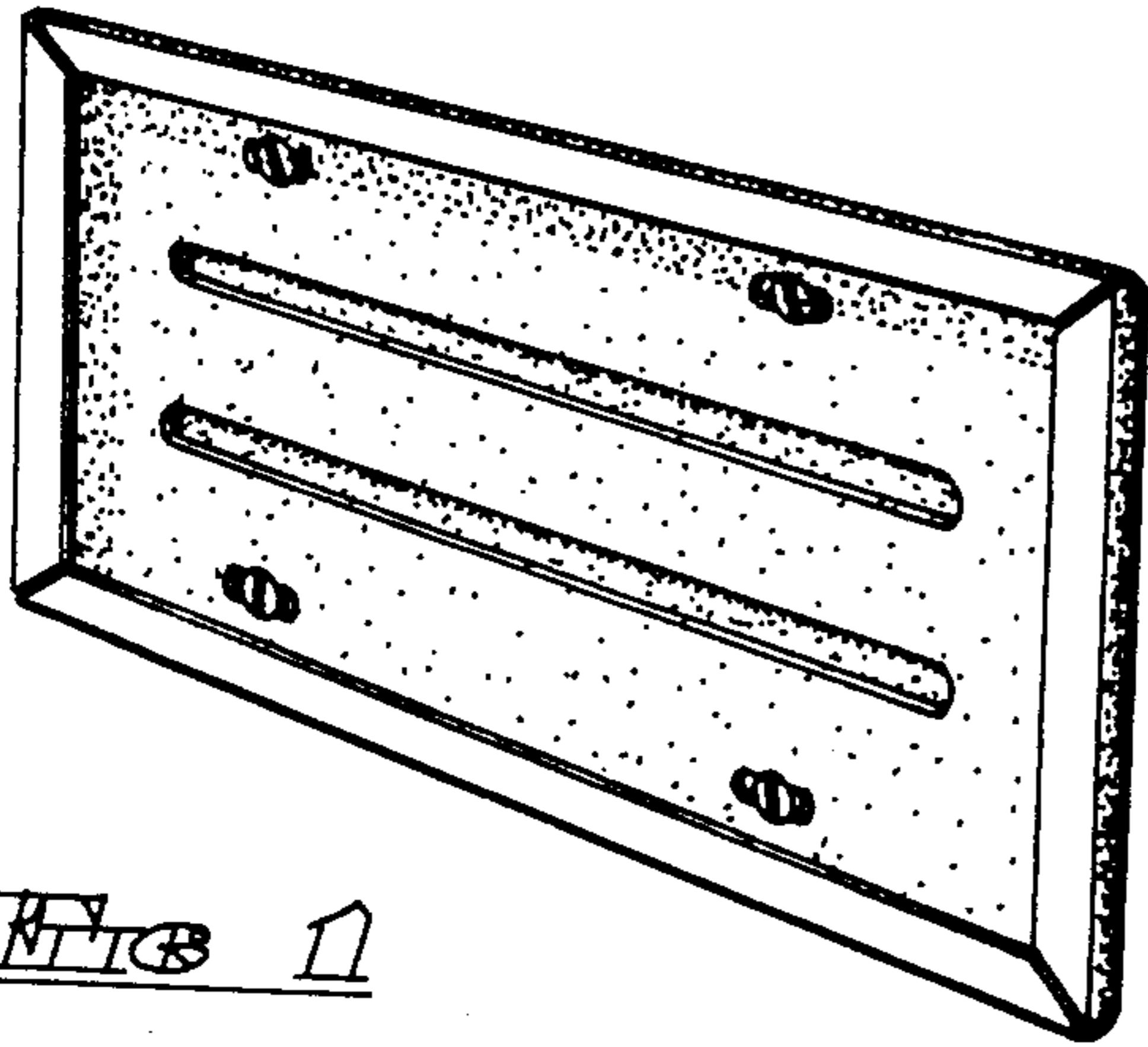


FIG 1

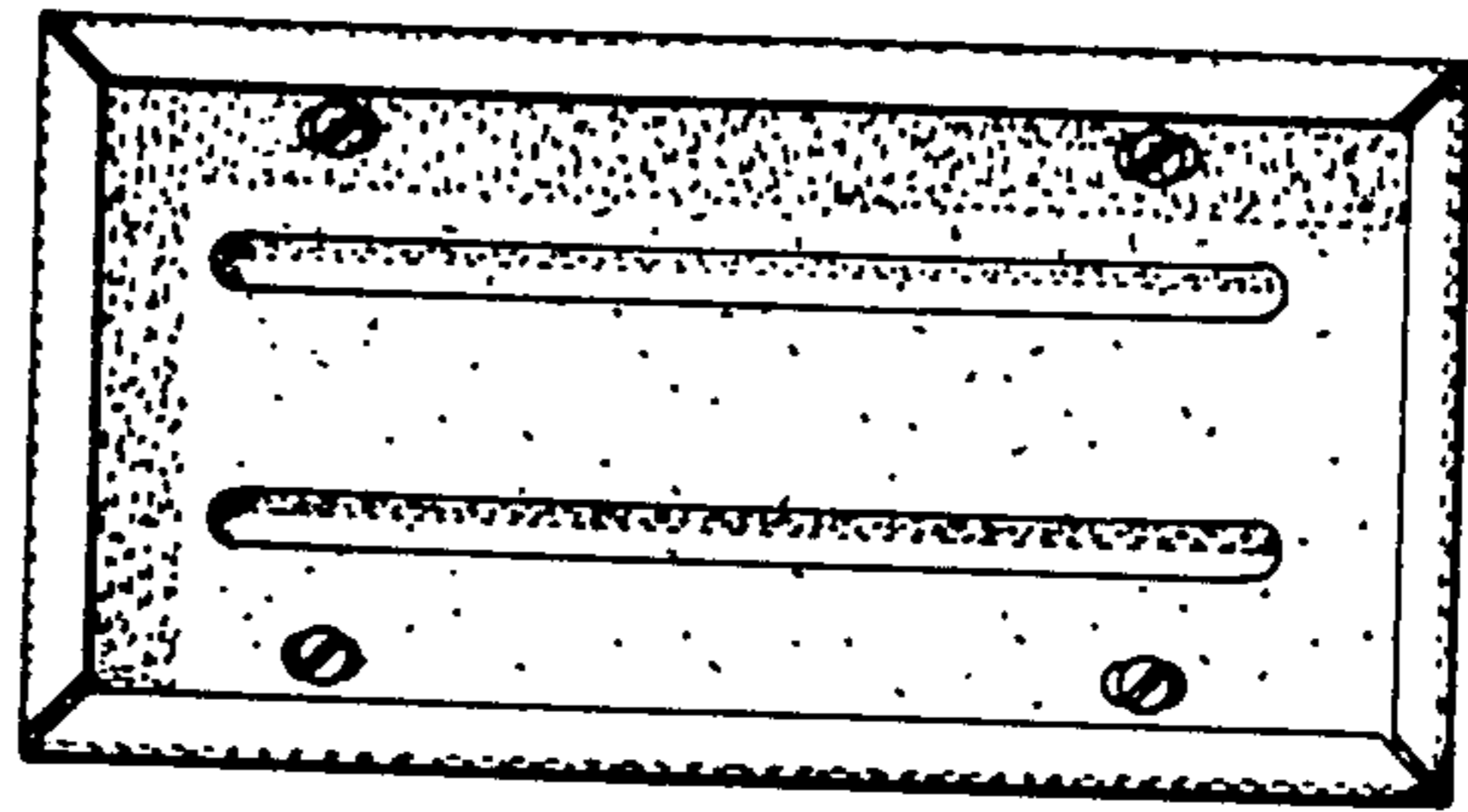


FIG 2

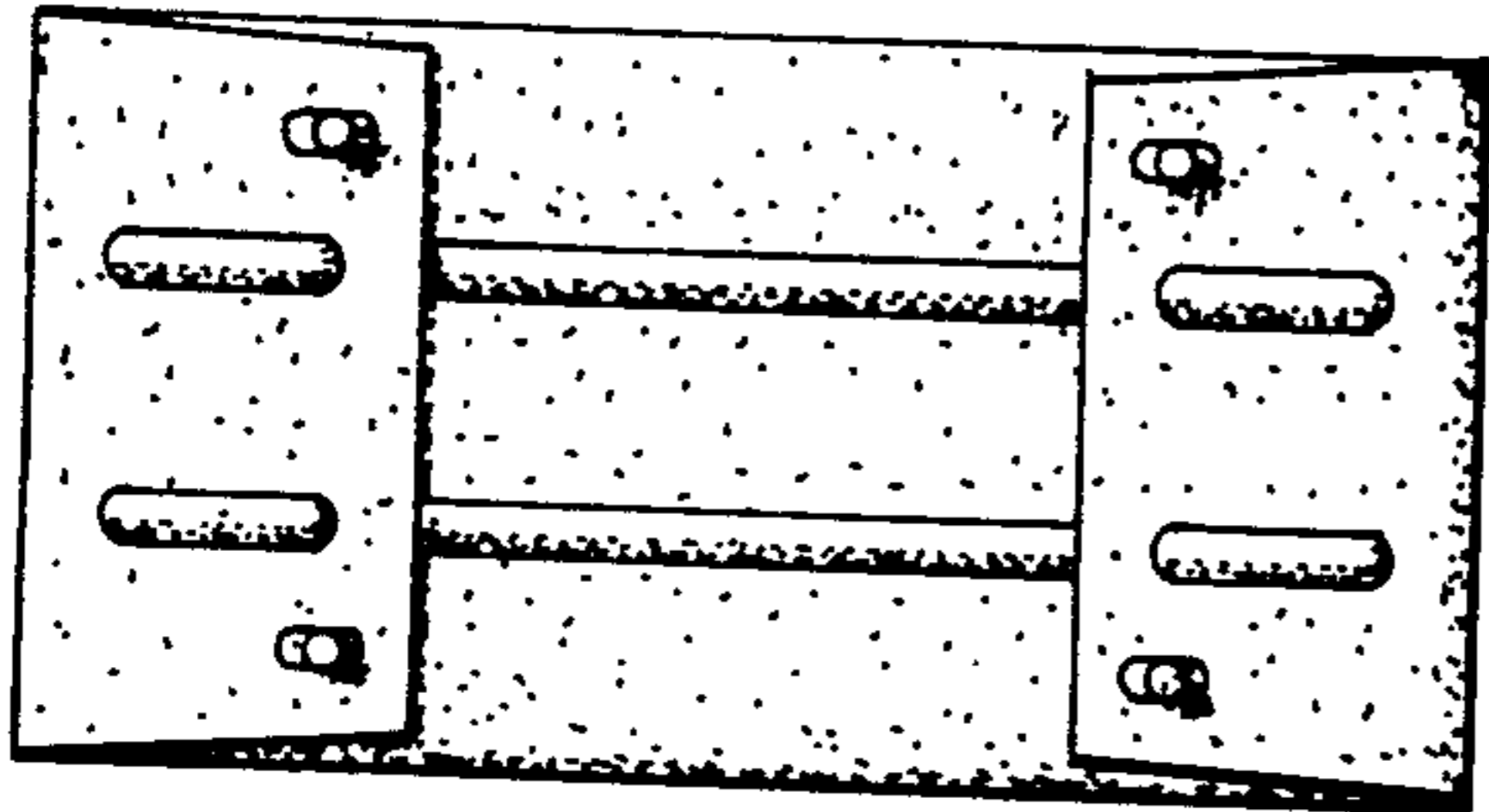


FIG 3

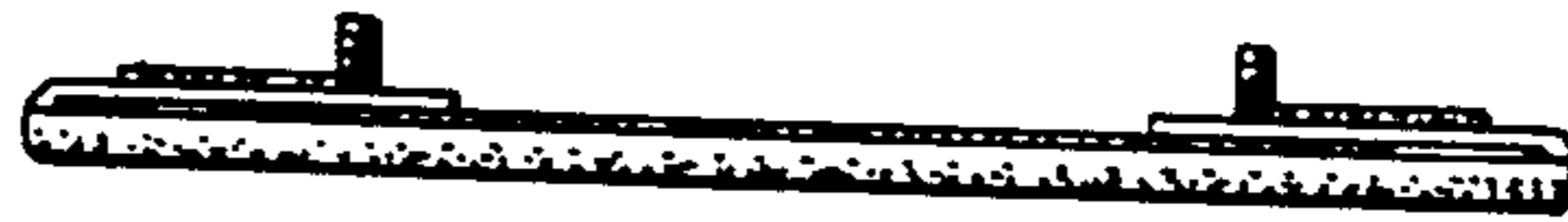


FIG 4

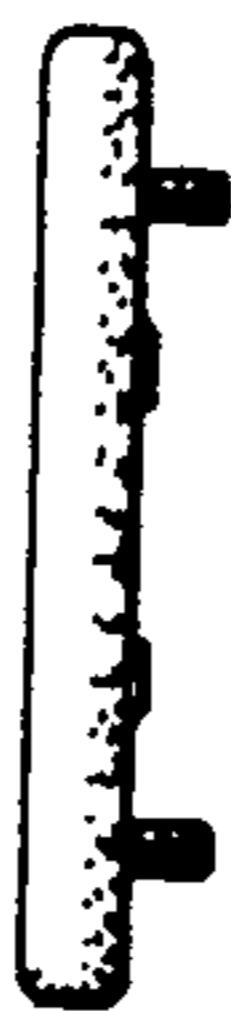


FIG 5