

[54] CONSOLE FOR UNDERWATER DIVING METERS

[76] Inventor: Ronald J. Adams, 12311 Kent Ct., Southgate, Mich. 48195

[**] Term: 14 Years

[21] Appl. No.: 714,246

[22] Filed: Aug. 13, 1976

[51] Int. Cl. D10-04

[52] U.S. Cl. D10/46; D10/85; D10/102; D10/94

[58] Field of Search D10/83, 85, 102, 103, D10/46, 49, 53, 94; 73/431, 432 D

[56] References Cited

U.S. PATENT DOCUMENTS

D. 195,783 7/1963 Woods D10/98
3,724,277 4/1973 Parmentier 73/431

OTHER PUBLICATIONS

Skin Diver, May 1976, p. 39, "Dacor" U. W. Gauges.

Primary Examiner—Nelson O. Holtje
Attorney, Agent, or Firm—Arnold S. Weintraub

[57] CLAIM

The ornamental design for a console for underwater diving meters, as shown and described.

DESCRIPTION

FIG. 1 is a perspective view of the console for underwater diving meters showing my new design;

FIG. 2 is a top plan view thereof;

FIG. 3 is a side elevational view thereof;

FIG. 4 is a bottom plan view thereof;

FIG. 5 is an opposite side elevational view thereof;

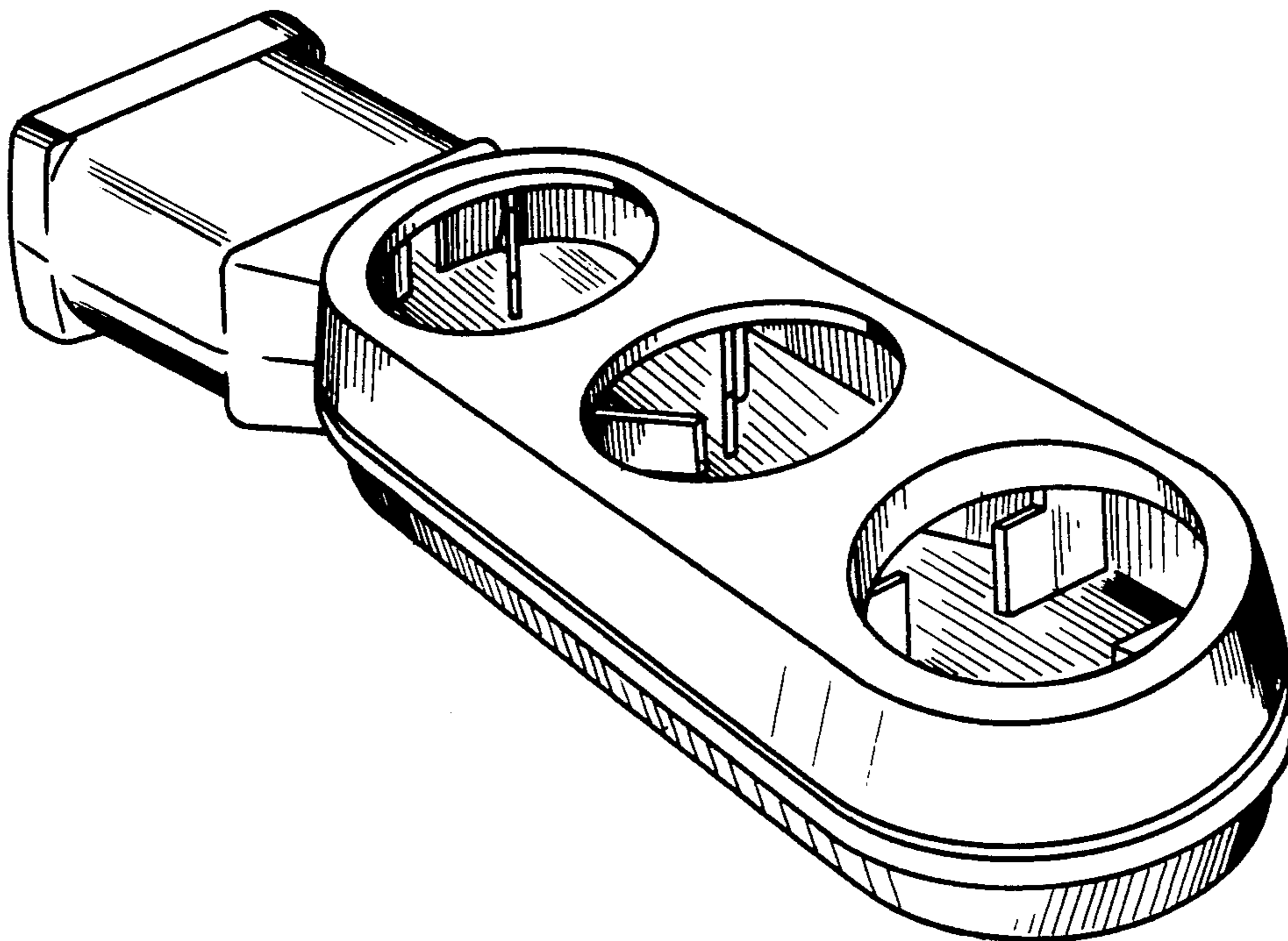
FIG. 6 is a left end elevational view thereof;

FIG. 7 is a right end elevational view thereof;

FIG. 8 is a top plan view of the lower portion of the console;

FIG. 9 is a side elevational view of FIG. 8;

FIG. 10 is a bottom plan view of the upper portion of the console.



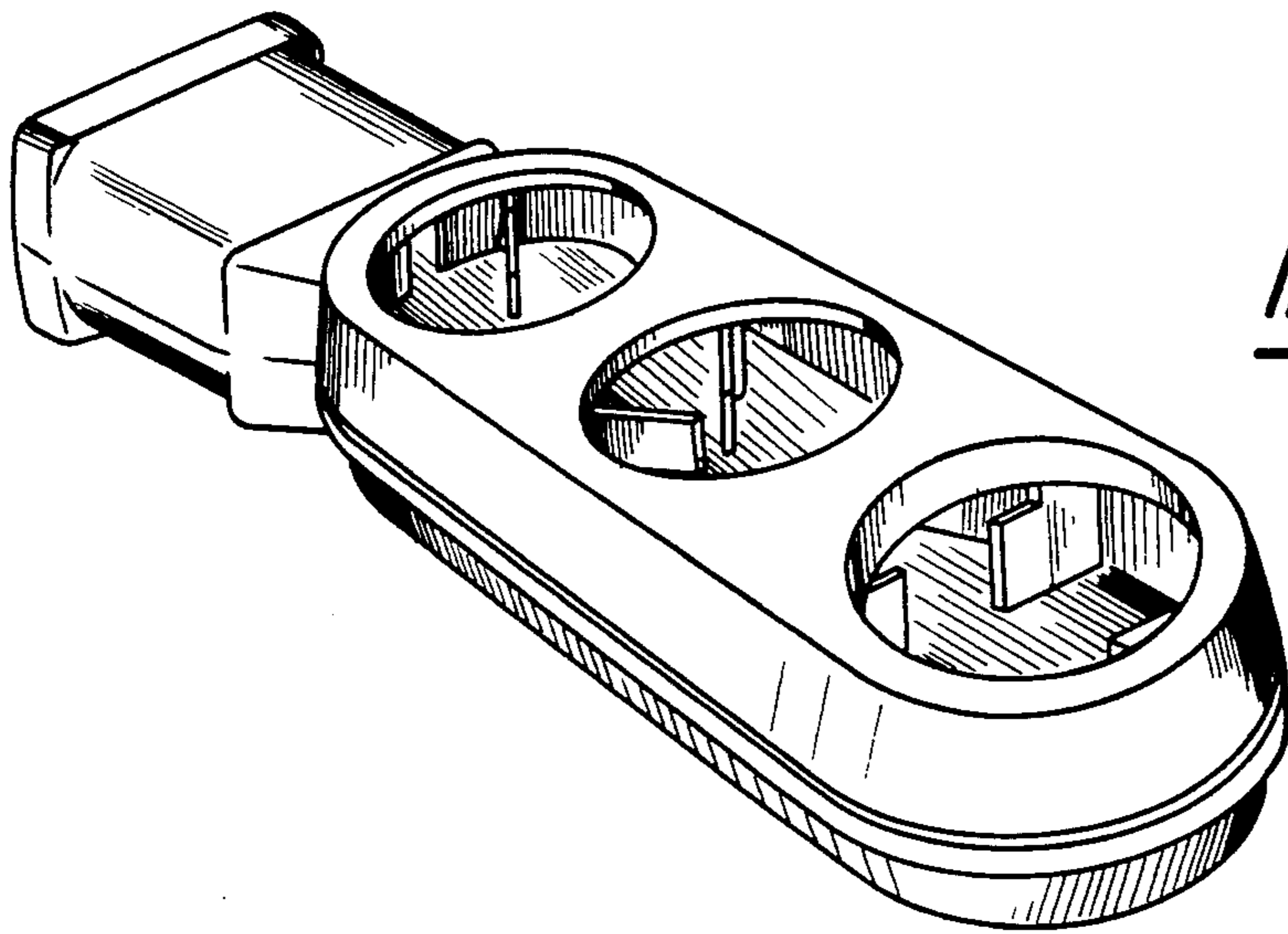


Fig-1

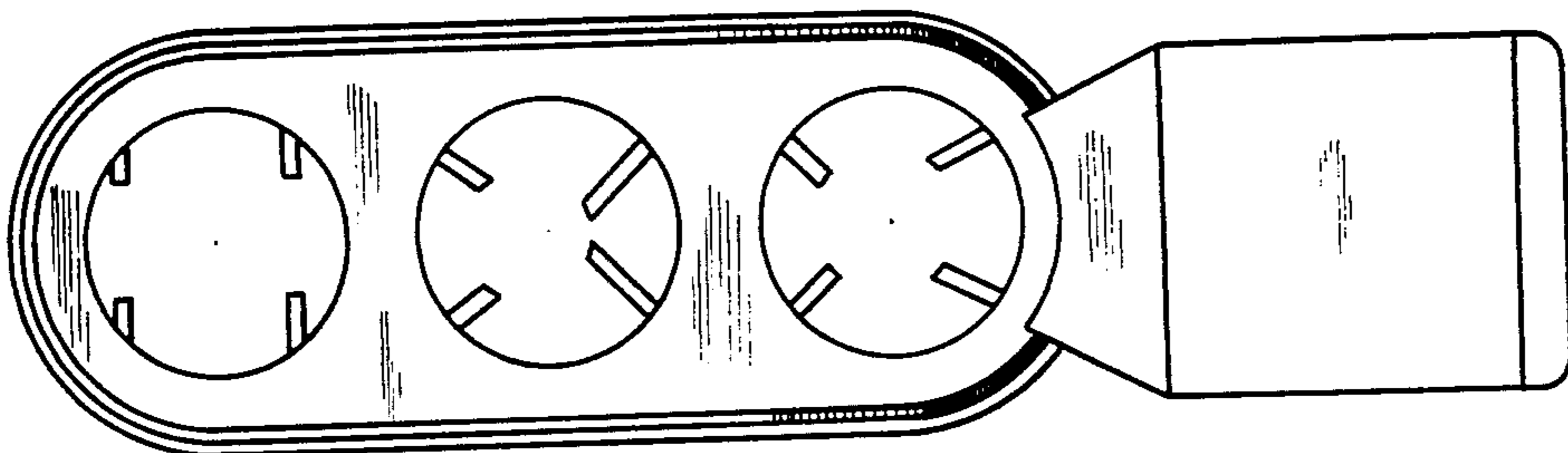


Fig-2

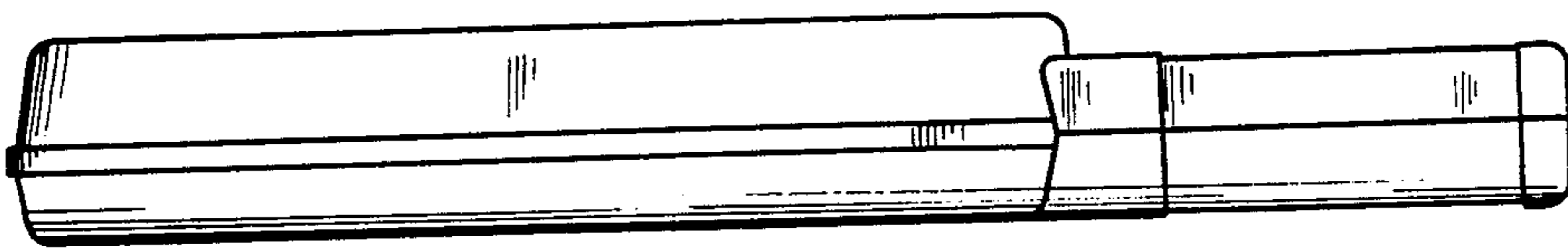


Fig-3

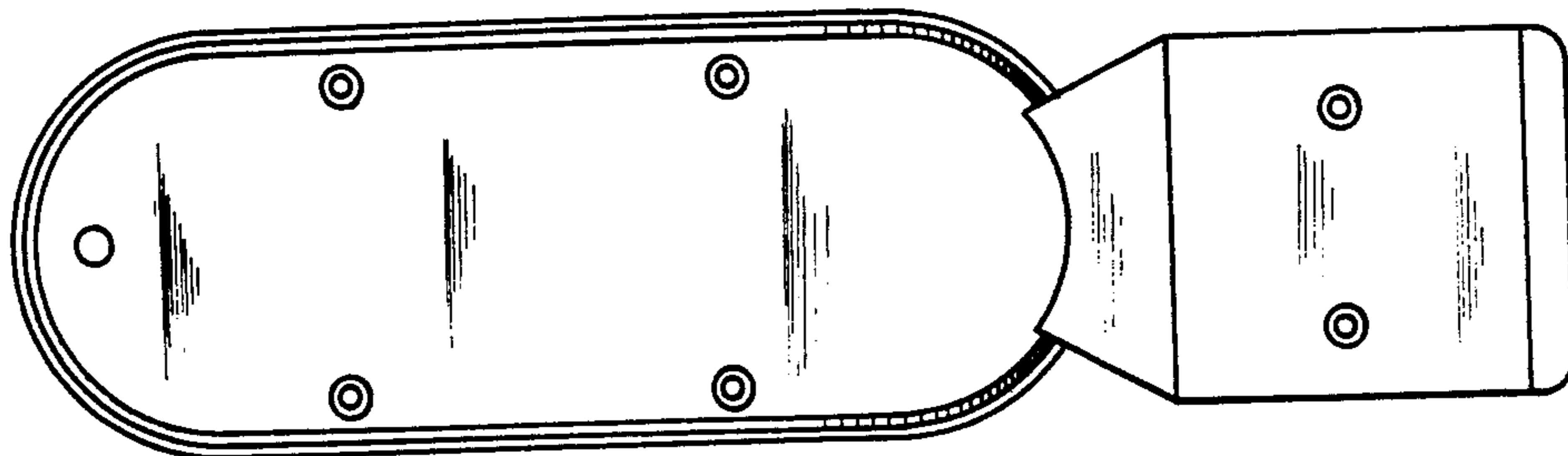


Fig-4

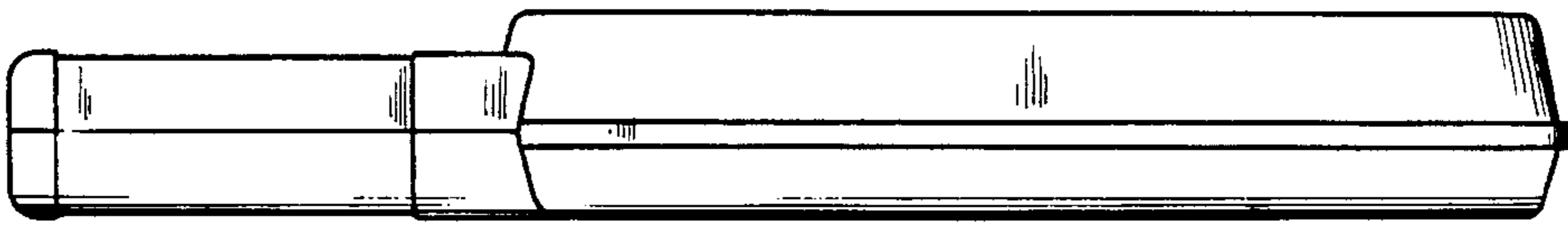


Fig-5

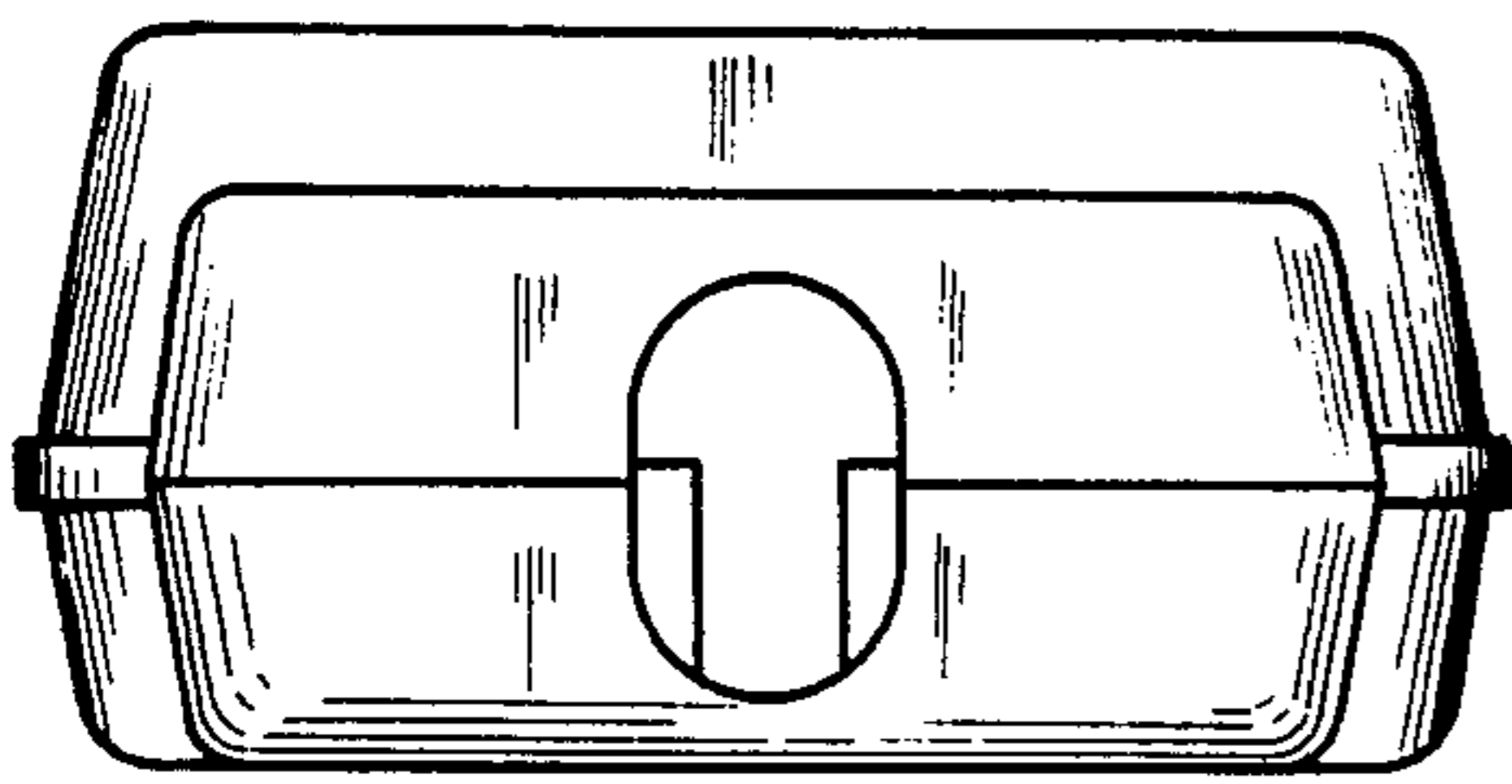


Fig-6

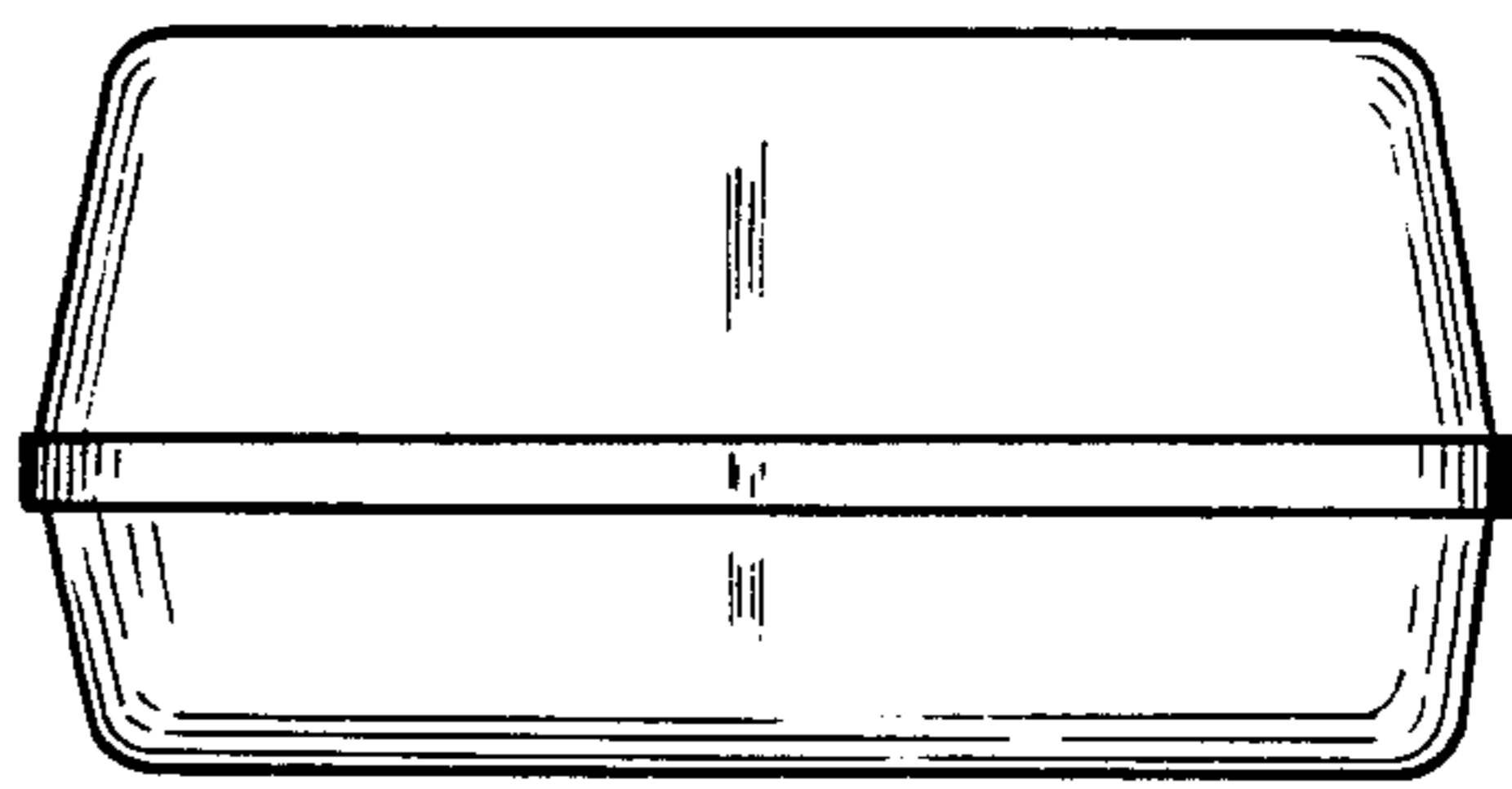


Fig-7

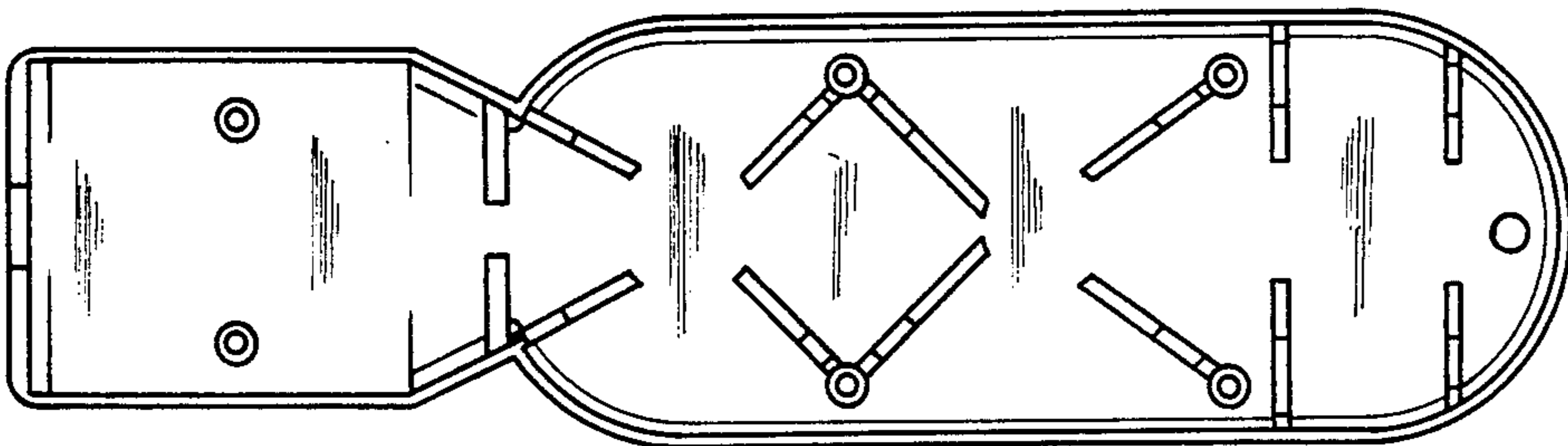


Fig-8



Fig-9

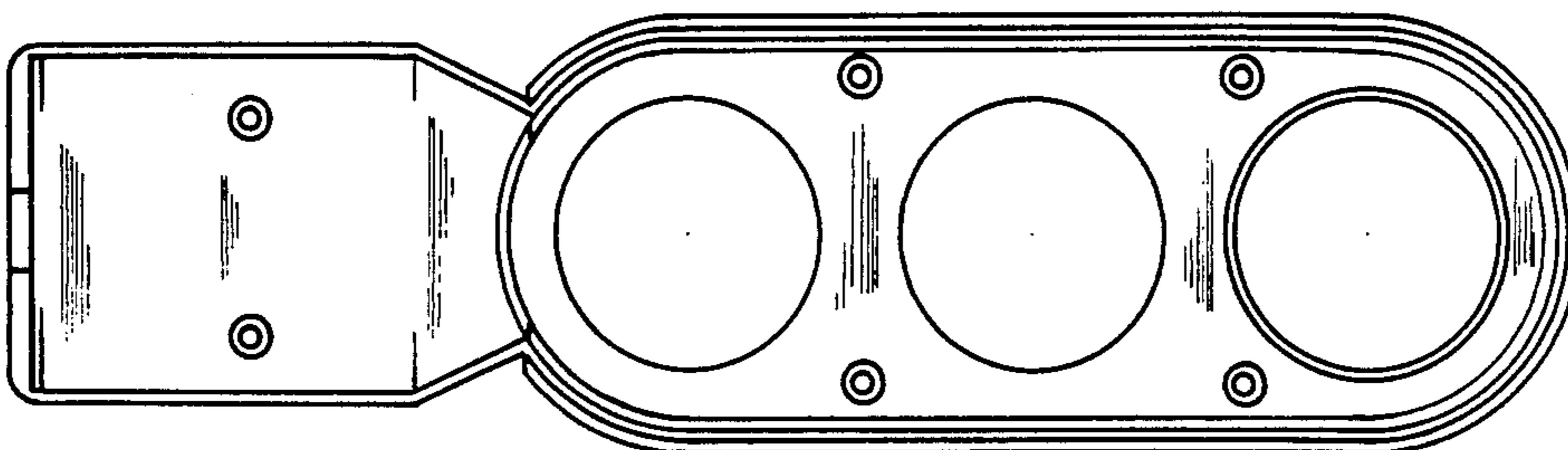


Fig-10