

[54] ART CADDY DRAWING DESK HOOK OR SIMILAR ARTICLE

[76] Inventor: Dallas R. Bottcher, 911 Cobblestone Dr., Lincoln, Nebr. 68510

[**] Term: 14 Years

[21] Appl. No.: 731,845

[22] Filed: Oct. 12, 1976

[51] Int. Cl. D8-08

[52] U.S. Cl. D8/367; D8/373

[58] Field of Search D8/354, 355, 356, 361, D8/363, 366, 367, 371, 373, 380, 381, 394, 71, 72, 73, 74; D6/120; 248/226; D19/54

[56] References Cited

U.S. PATENT DOCUMENTS

D. 119,384	3/1940	Eshbach	D8/371 X
D. 237,775	11/1975	Hitomi	D8/356
D. 239,434	4/1976	Linn	D8/355
2,985,414	5/1961	Ince	D22/22 X

Primary Examiner—A. Hugo Word

Attorney, Agent, or Firm—Vincent L. Carney

[57] CLAIM

The ornamental design for an art caddy drawing desk hook or similar article, substantially as shown and described.

DESCRIPTION

FIG. 1 is a perspective view of an art caddy drawing desk hook or similar article showing my new design with clamp superimposed;

FIG. 2 is an exploded perspective view of the embodiment of FIG. 1;

FIG. 3 is a side elevational view of the embodiment of FIG. 1;

FIG. 4 is a side elevational view of the embodiment of FIG. 1;

FIG. 5 is a top view of the embodiment of FIG. 1;

FIG. 6 is a bottom view of the embodiment of FIG. 1;

FIG. 7 is a rear elevational view of the embodiment of FIG. 1;

FIG. 8 is a front elevational view of the embodiment of FIG. 1.

The broken lines in FIGS. 1 and 2 are shown for illustrative purposes only and form no part of the claimed design.

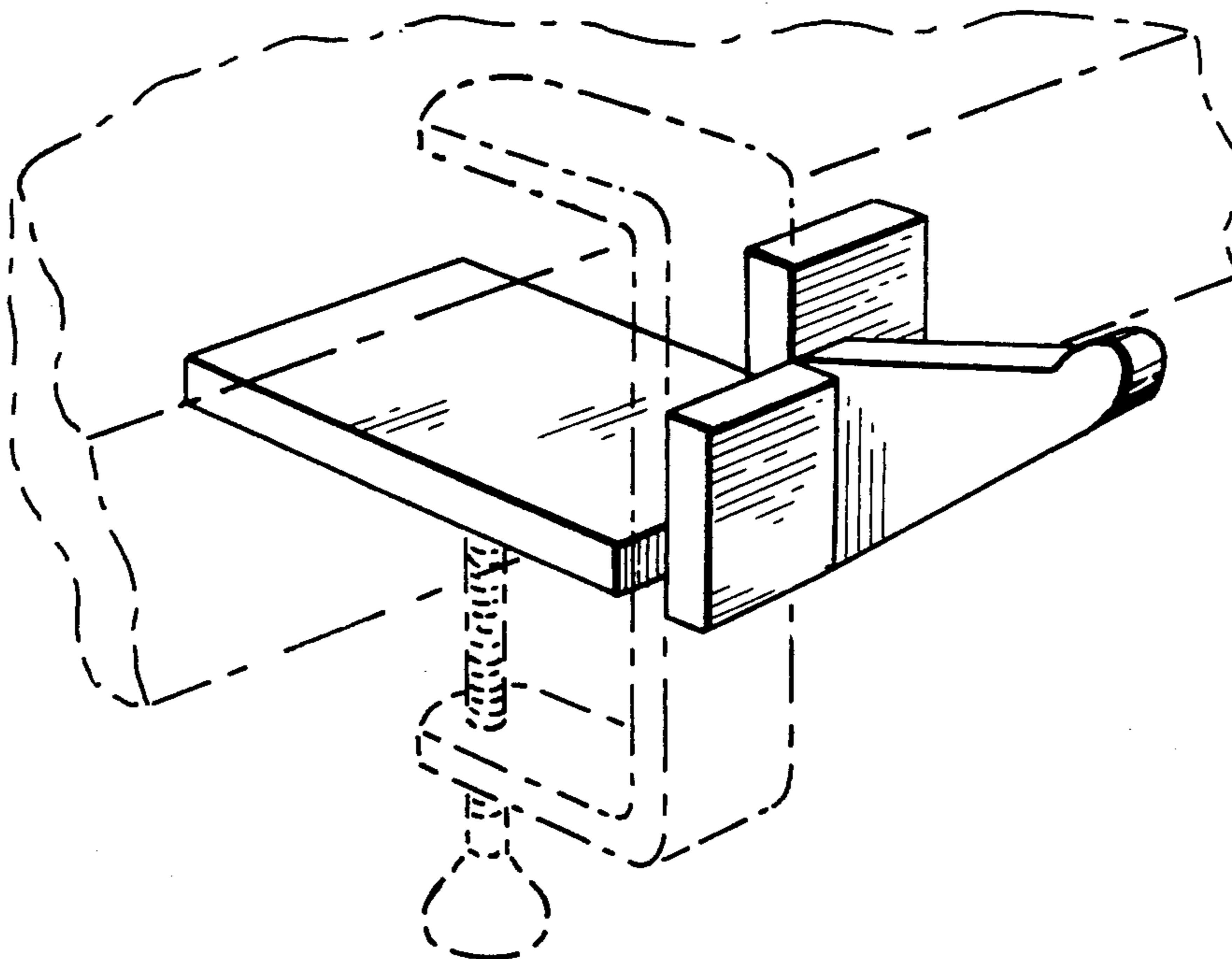


FIG. 1

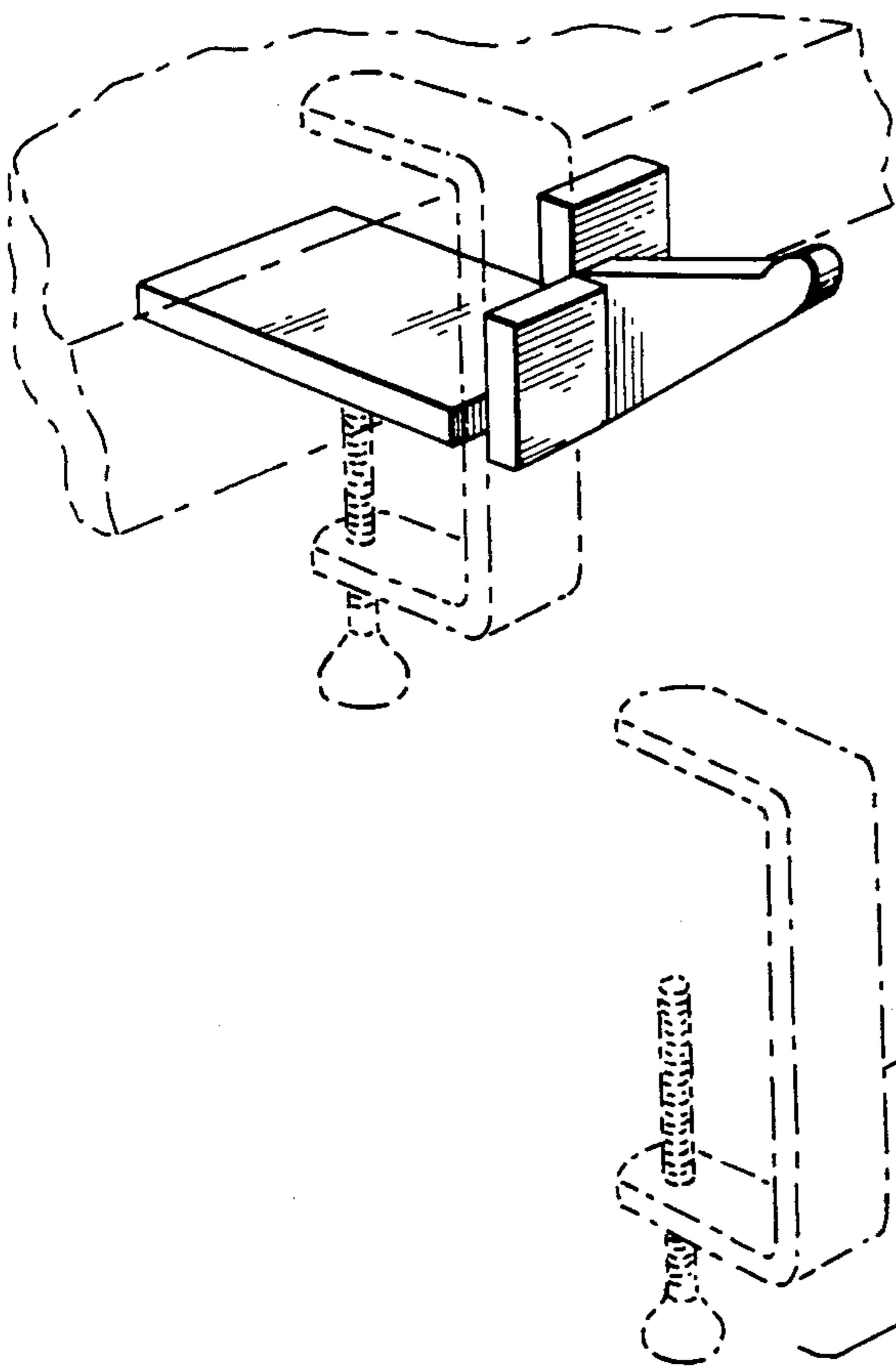


FIG. 2

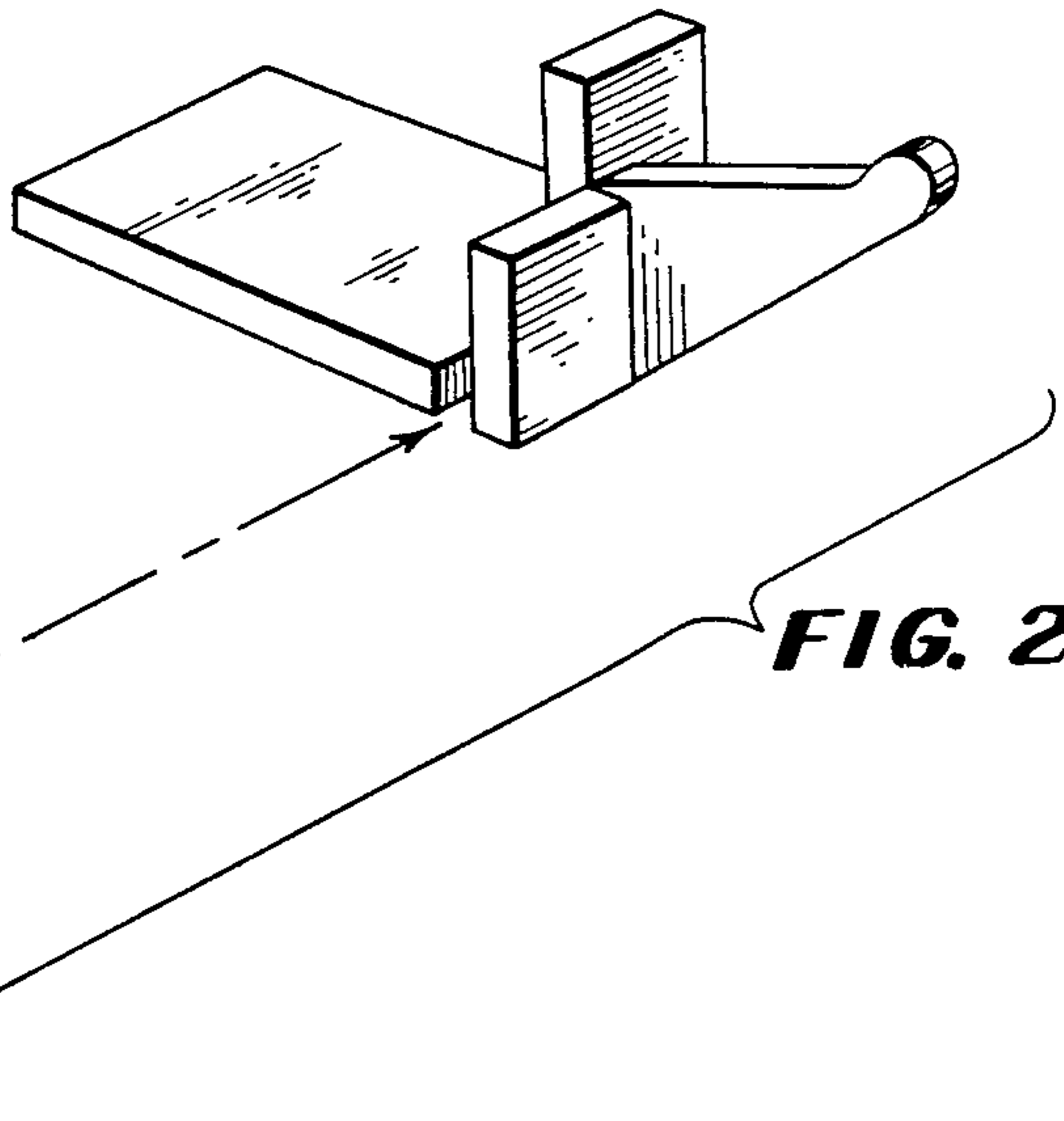


FIG. 3

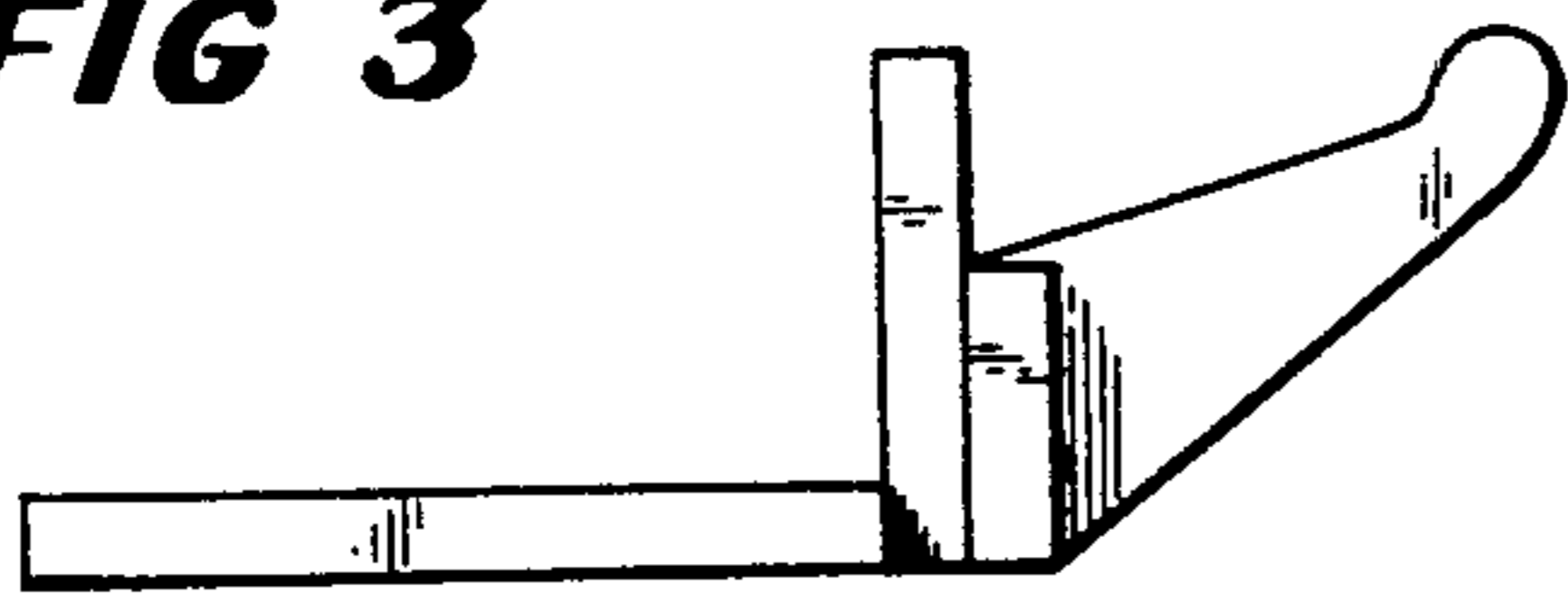


FIG. 4

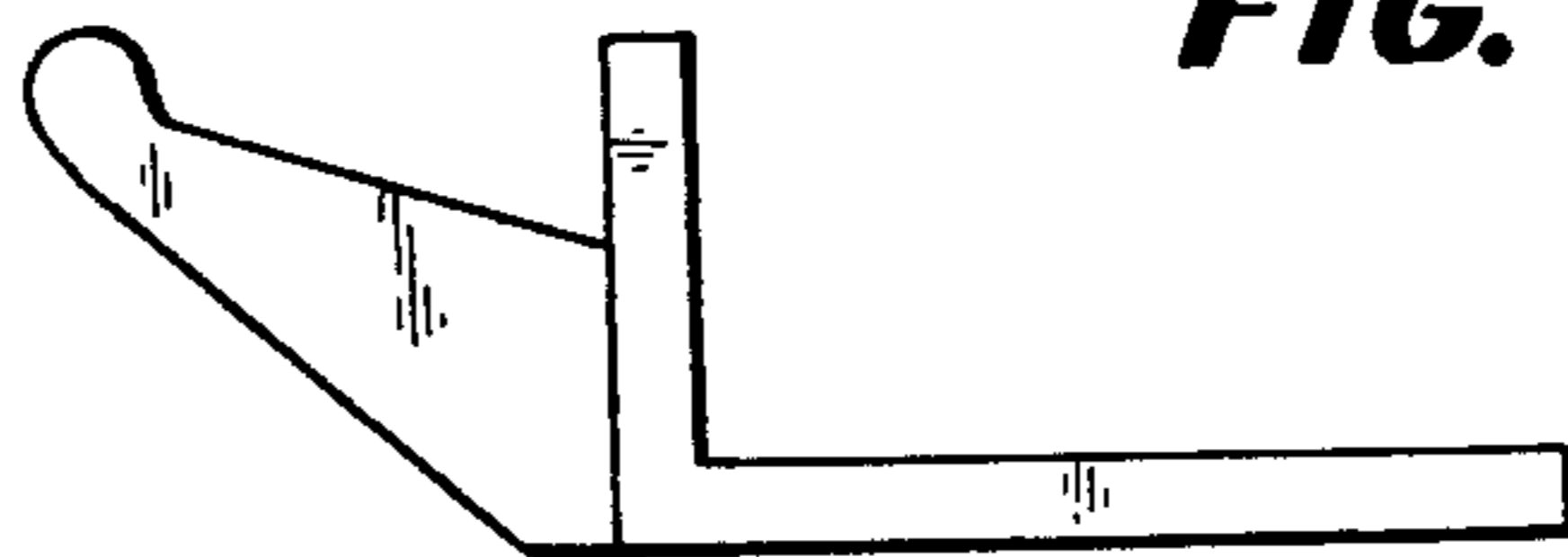


FIG. 5

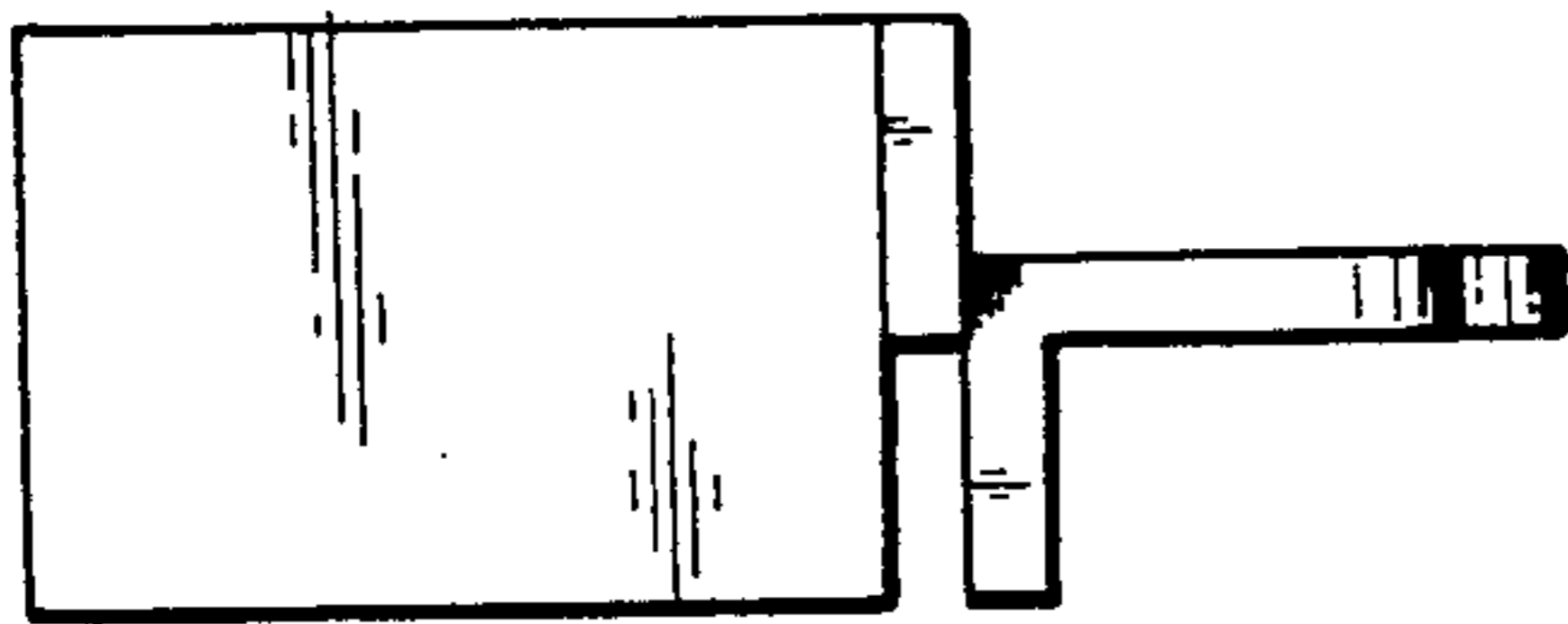


FIG. 6

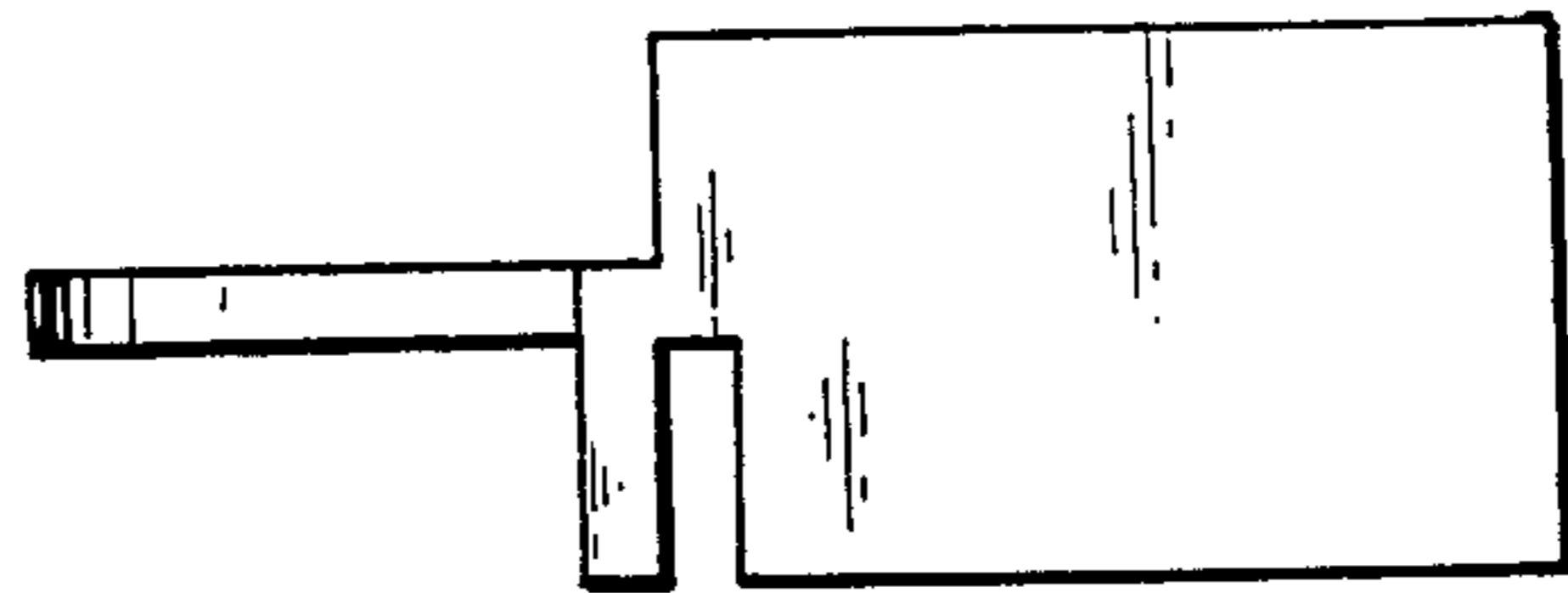


FIG. 7

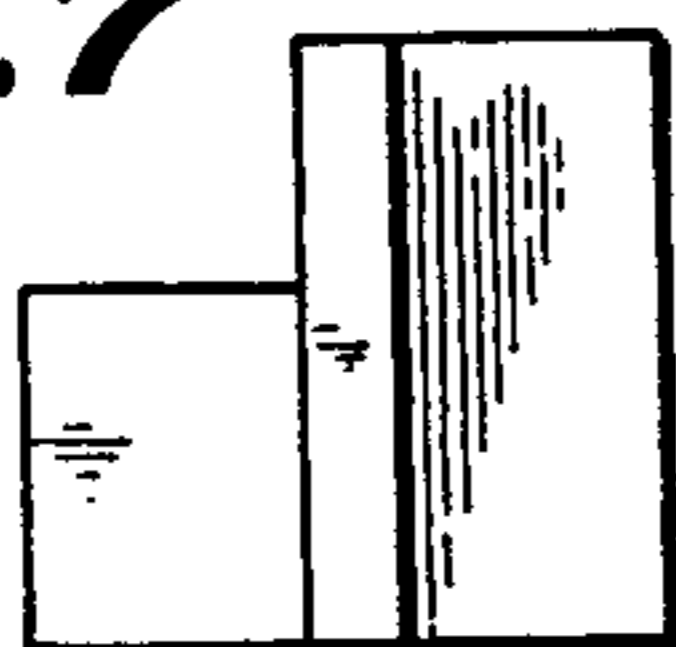


FIG. 8

