

[54] MOP MOUNTING PLATE

[75] Inventors: **Raymond C. Tillinghast**, Memphis, Tenn.; **William M. Grant**, South Haven, Miss.

[73] Assignee: **Gem, Incorporated**, Byhalia, Miss.

[**] Term: **14 Years**

[21] Appl. No.: **763,938**

[22] Filed: **Jan. 13, 1977**

[51] Int. Cl. **D7-05**

[52] U.S. Cl. **D7/180**

[58] Field of Search **D7/178, 179, 180; 15/147 R, 147 A, 148, 228**

[56] **References Cited**

U.S. PATENT DOCUMENTS

D. 197,047 12/1963 Murphy D7/180

D. 197,697 3/1964 Murphy D7/180
2,769,995 11/1956 Klein D7/179 UX
2,777,148 1/1957 Belsky et al. 15/228

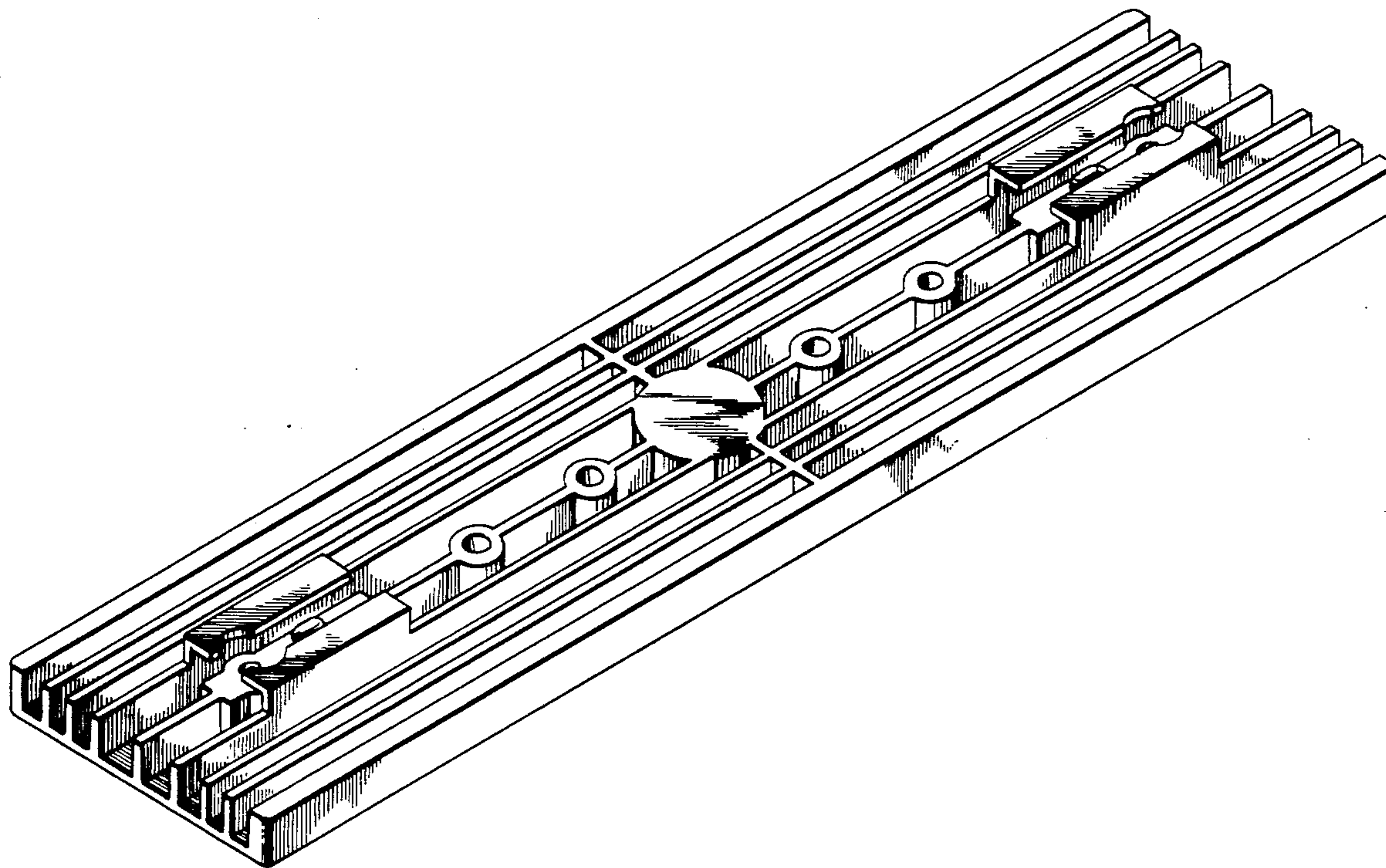
Primary Examiner—Wallace R. Burke
Assistant Examiner—Catherine Kemper
Attorney, Agent, or Firm—Thomas B. Van Poole

[57] **CLAIM**

The ornamental design for a mop mounting plate, as shown.

DESCRIPTION

FIG. 1 is a perspective view of a mop mounting plate showing our new design;
FIG. 2 is an end elevation view thereof;
FIG. 3 is a top plan view thereof;
FIG. 4 is a front elevational view thereof;
FIG. 5 is a bottom plan view thereof; and
FIG. 6 is a sectional view taken along lines 6-6 of FIG. 4.



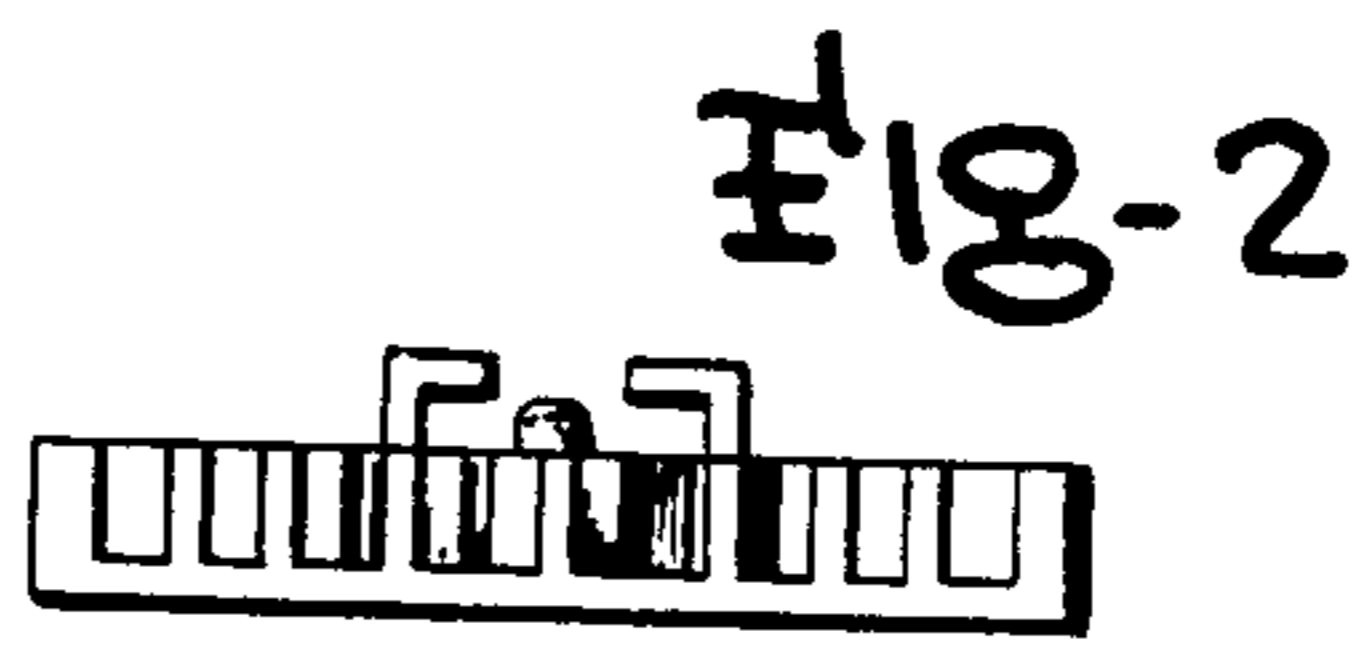
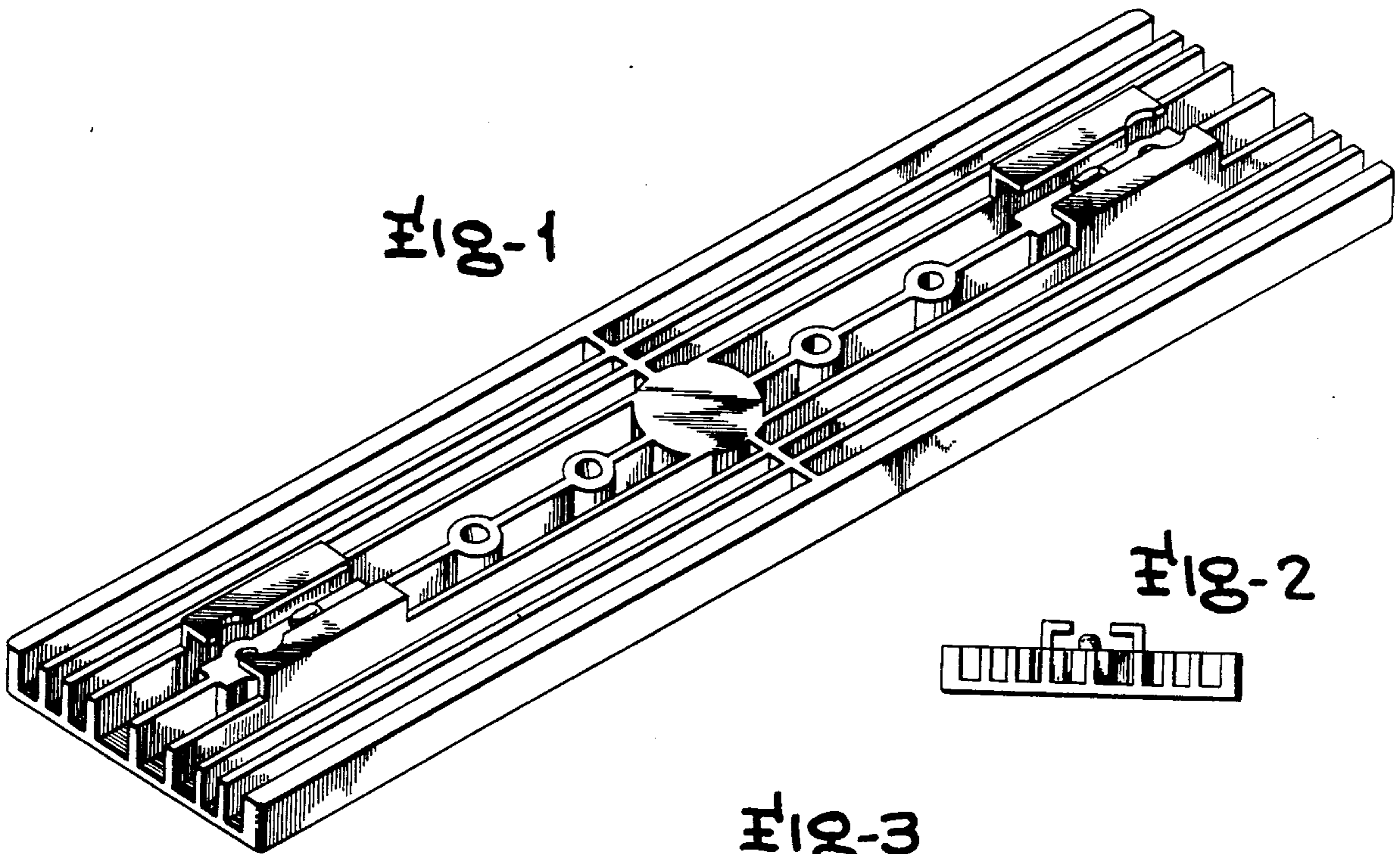


Fig. 3

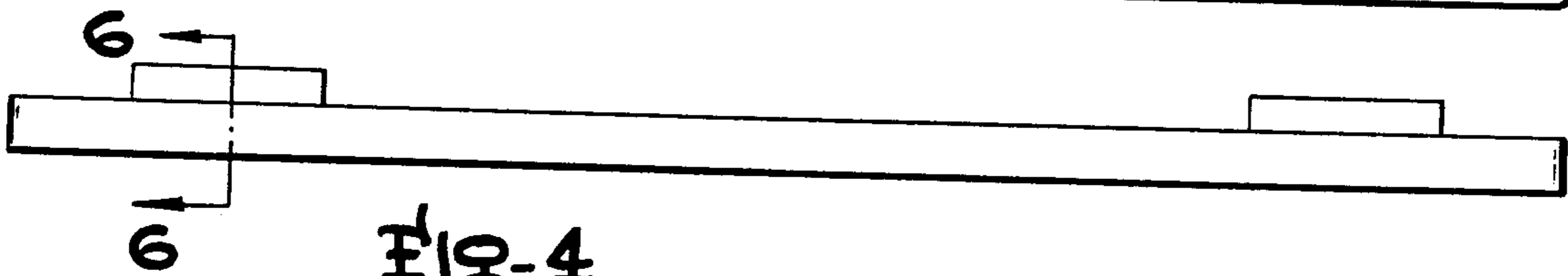
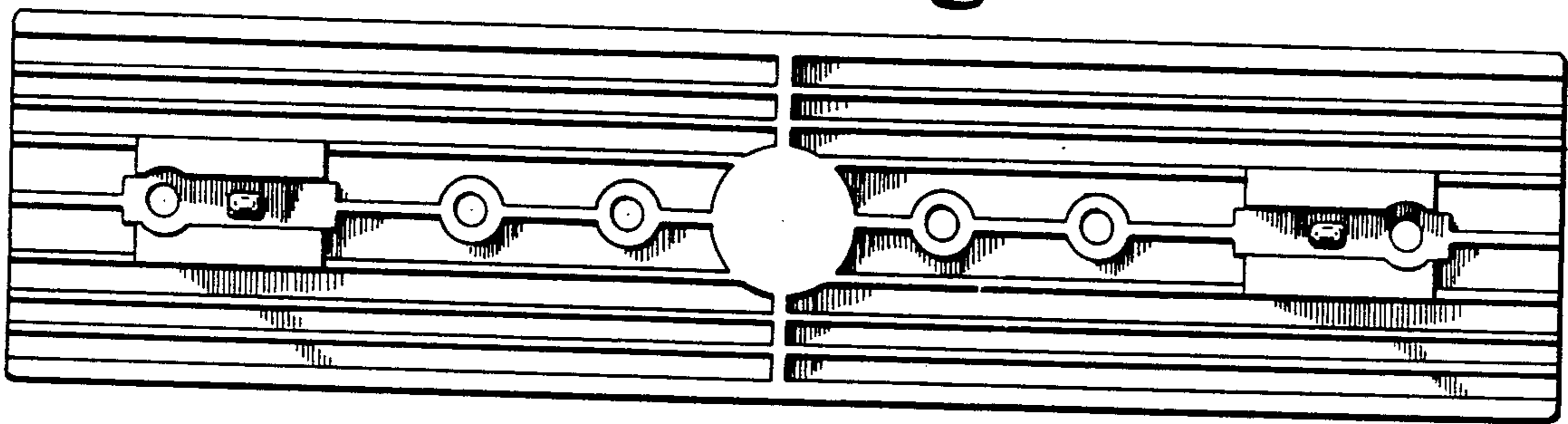


Fig. 4

Fig. 6



Fig. 5

