

[54] **RIPENING BOWL WITH COVER**

[76] Inventor: **Caryl H. Saunders**, 389 Riviera Dr., San Rafael, Calif. 94901

[**] Term: **14 Years**

[21] Appl. No.: **731,041**

[22] Filed: **Oct. 8, 1976**

[51] Int. Cl. **D7-01**

[52] U.S. Cl. **D7/17; D7/5**

[58] Field of Search **D7/5, 79, 81, 3, 16, D7/17, 18, 23, 28; D9/23, 30, 203, 205; D34/15 CC**

[56] **References Cited**

U.S. PATENT DOCUMENTS

D. 116,789	9/1939	Barbiers	D7/28
D. 116,790	9/1939	Barbiers	D7/28
D. 187,809	5/1960	Holm-Lundberg	D7/97
D. 210,311	2/1968	Newman	D7/79
D. 230,809	3/1974	Scholl	D7/20

OTHER PUBLICATIONS

The Gift & Art Buyer, Feb. 1941, p. 71, Orchard Ware

by Newland, Schneeloch & Piek, Inc., Pear Jam Set at bottom.

Queens Art Pewter Cat., Rubel & Fenton, Inc., p. 6, Item No. 140, Sugar Bowl at r. center.

Gift & Tableware Reporter, 1st Issue, Jul. 1973, p. 15, Cheese Bell with Tray-Wallace Silverplate.

Primary Examiner—Winifred E. Herrmann

Attorney, Agent, or Firm—Roger W. Erickson

[57] **CLAIM**

The ornamental design for a ripening bowl with cover, substantially as shown and described.

DESCRIPTION

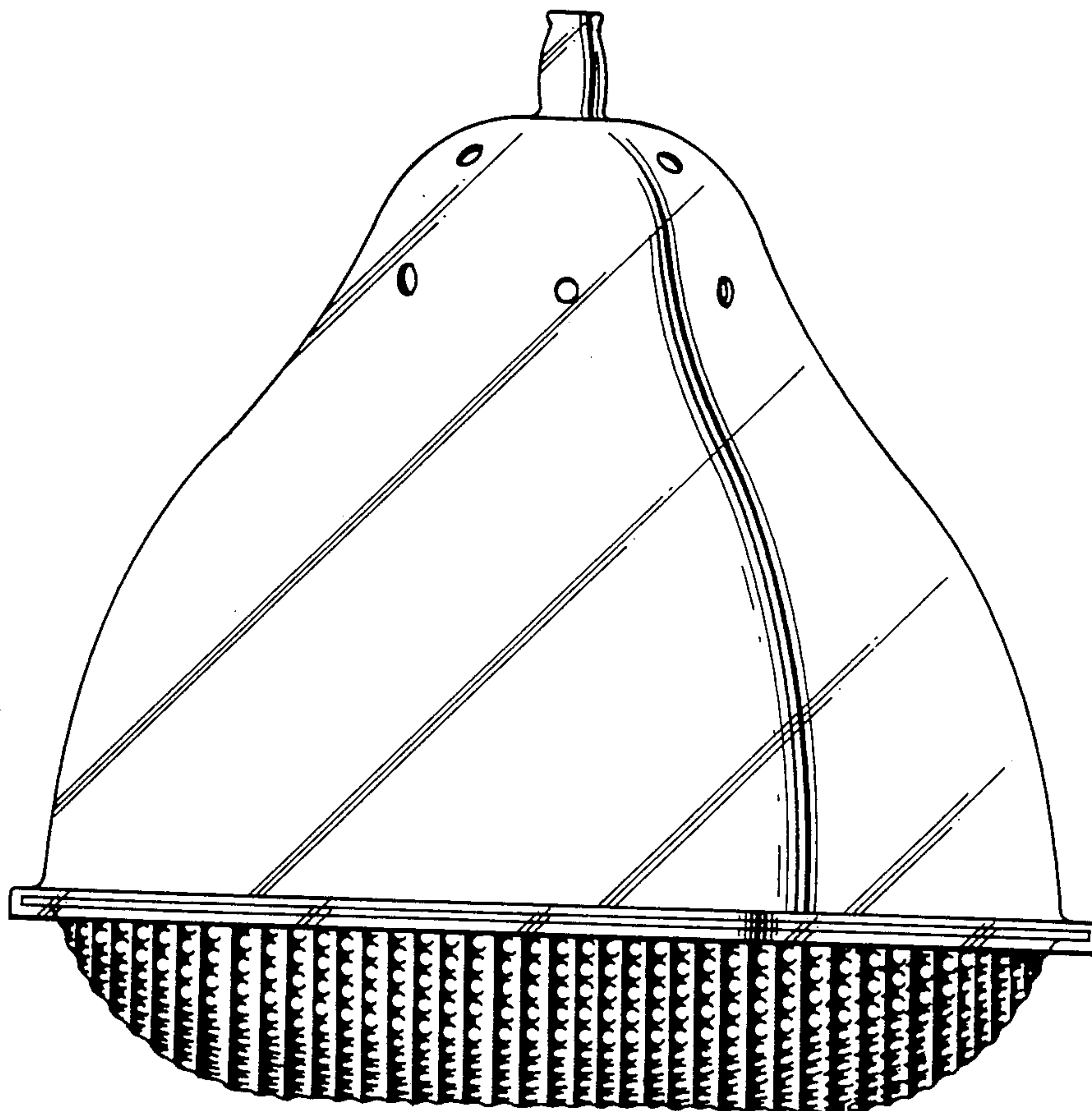
FIG. 1 is a view in elevation of a ripening bowl with cover showing my new design;

FIG. 2 is a top plan view thereof;

FIG. 3 is a bottom plan view thereof;

FIG. 4 is an exploded view in elevation of a somewhat modified form of my ripening bowl with cover wherein the cover has the same configuration as shown in FIG. 1, and the bowl has an untextured outer surface; and

FIG. 5 is a bottom plan view thereof as shown in FIG. 4.



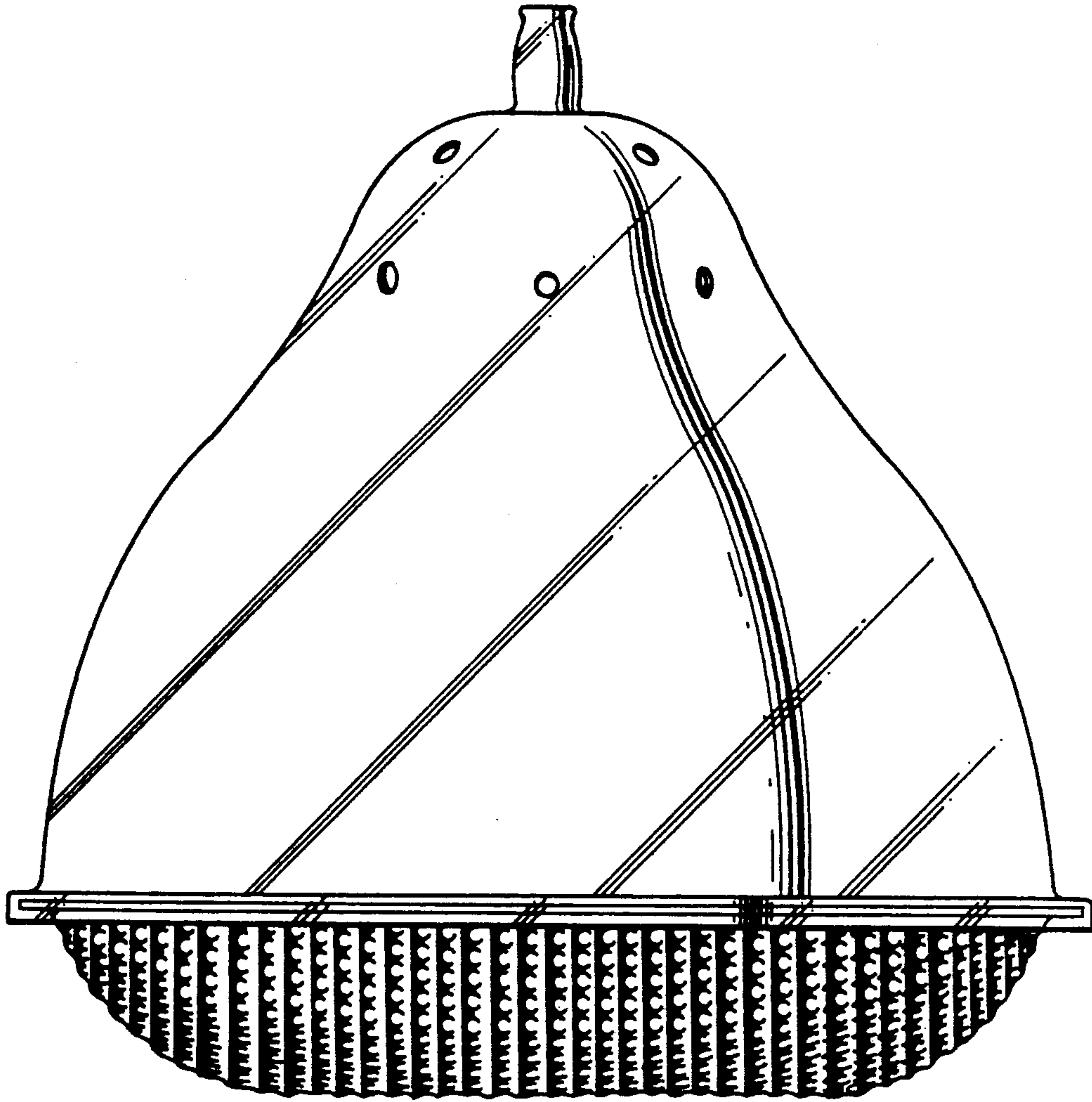


FIG. 1

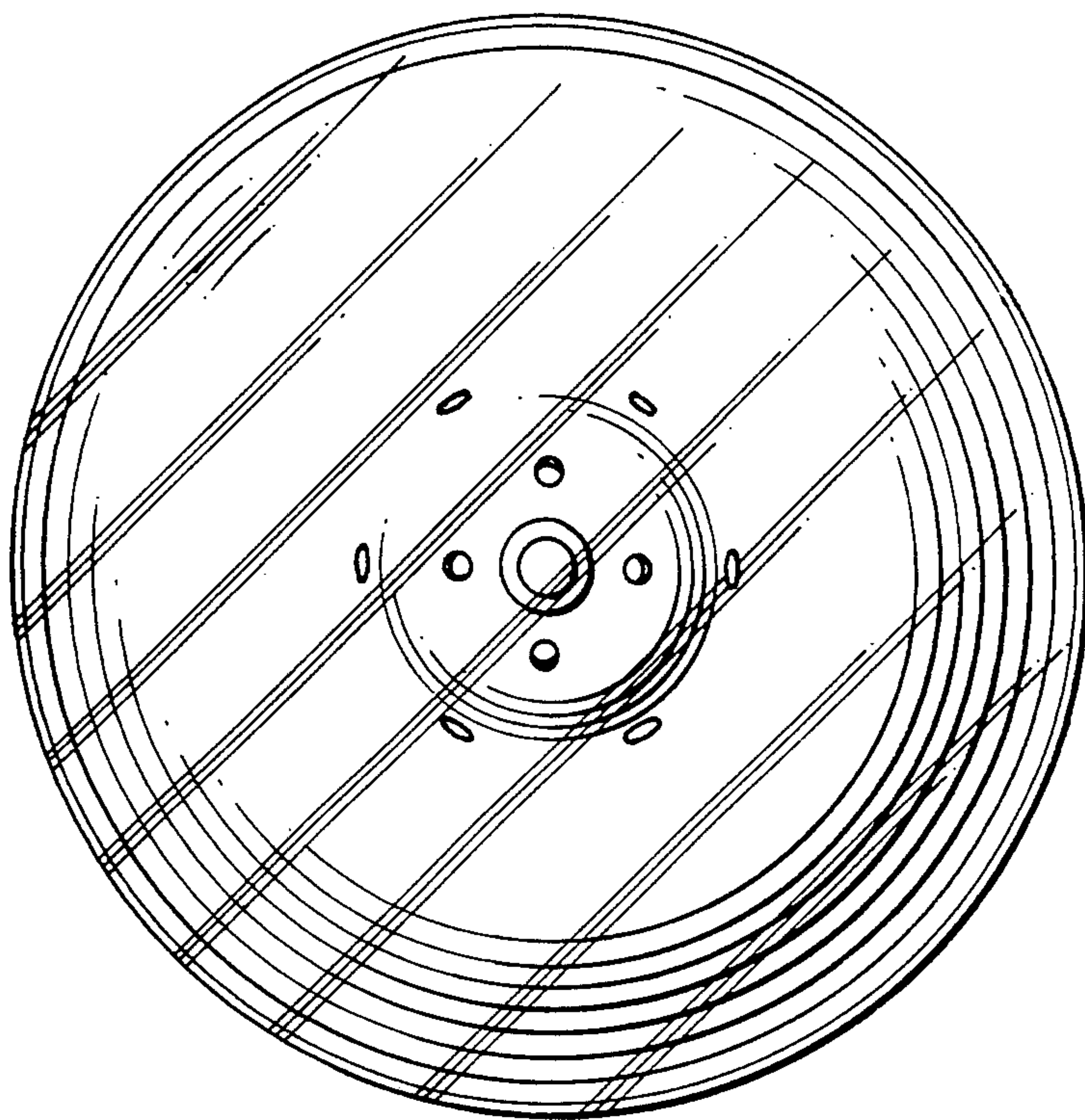


FIG. 2

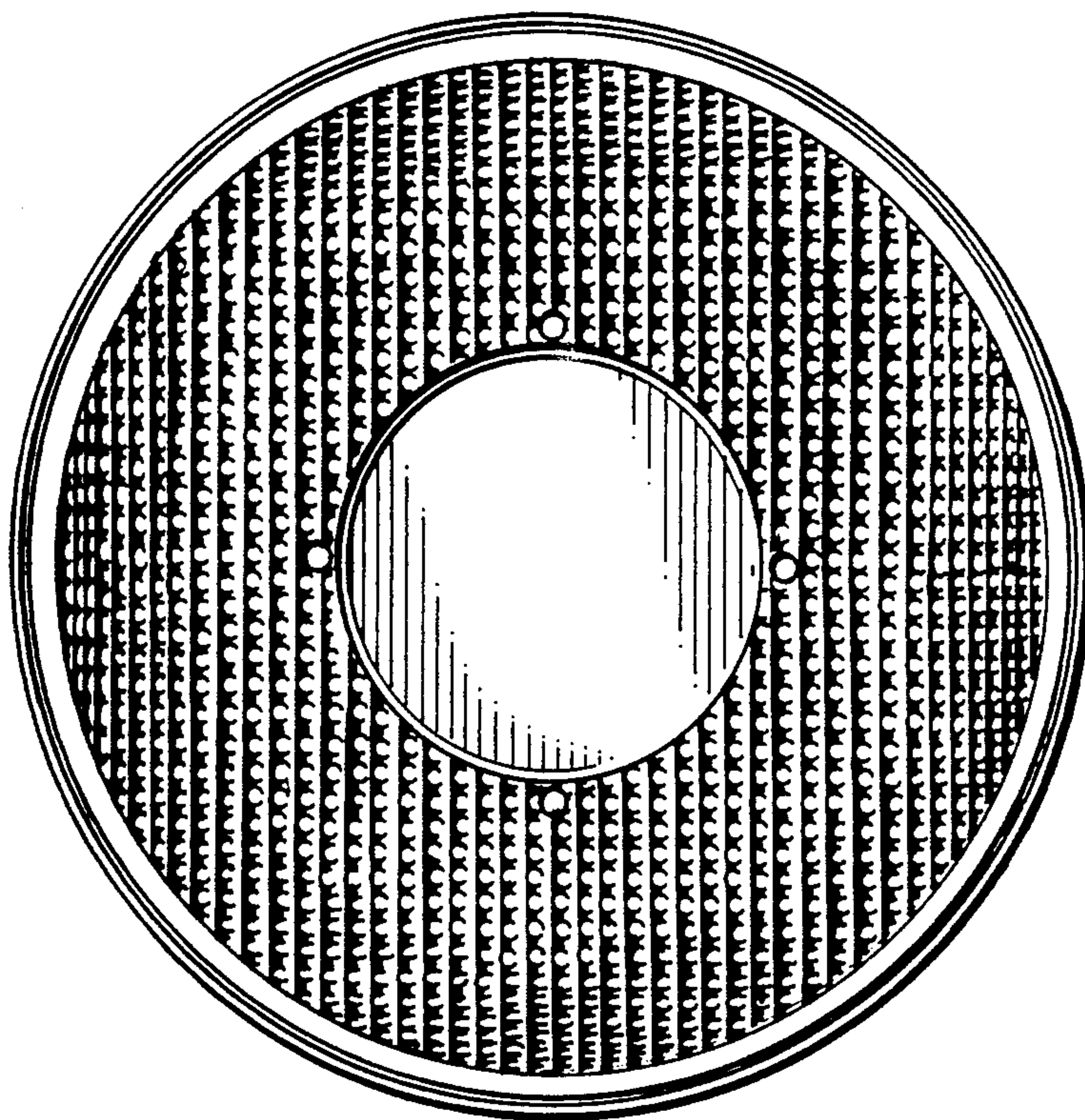


FIG. 3

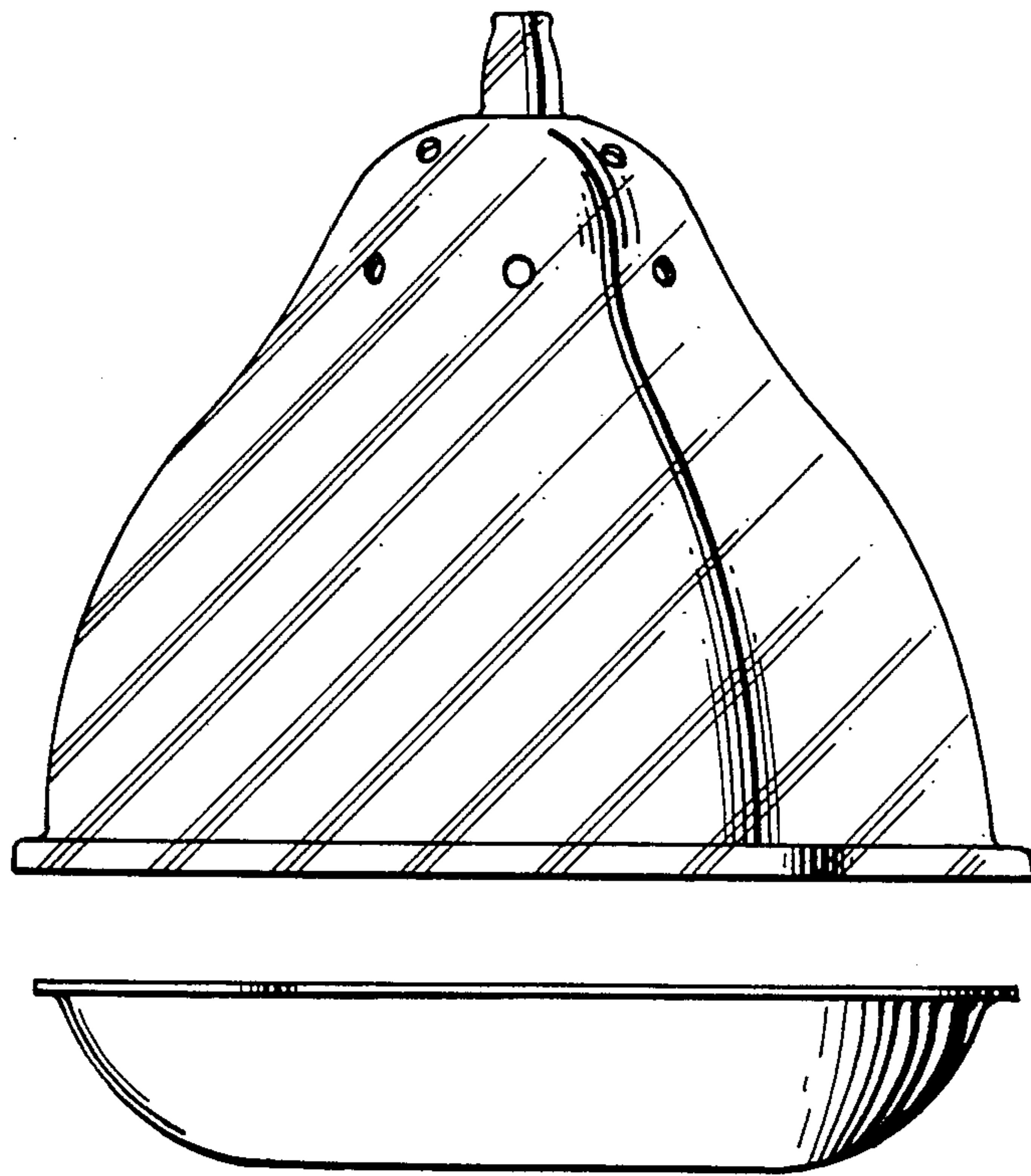


FIG. 4

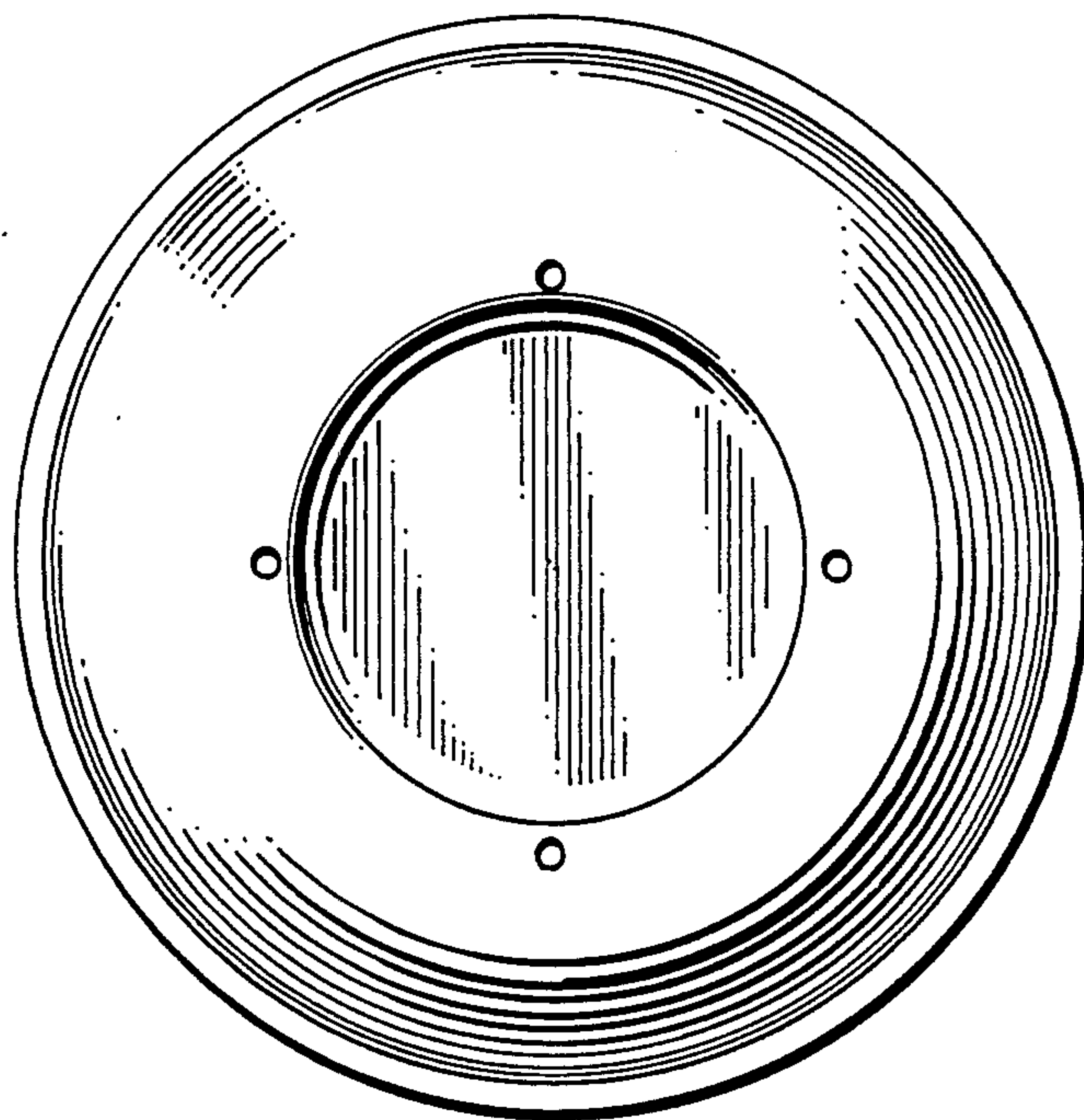


FIG. 5