

[54] DISPLAY DEVICE FOR PHOTOGRAPHS
AND THE LIKE

[76] Inventor: **Richard Gaiti**, 92 Arbor Dr.,
Hohokus, N.J. 07423

[**] Term: **14 Years**

[21] Appl. No.: **643,747**

[22] Filed: **Dec. 23, 1975**

[51] Int. Cl. **D6—07**

[52] U.S. Cl. **D6/235**

[58] Field of Search D16/11, 26; D6/85, 232,
D6/234, 235, 236, 237, 238; 40/10 D, 152,
152.1, 154, 155, 156; 248/441

[56] **References Cited**

U.S. PATENT DOCUMENTS

2,409,814	10/1946	Vargish	40/152.1
3,364,603	1/1968	Tate, Jr.	40/10 D
3,760,521	9/1973	Barraya	40/152
3,774,332	11/1973	Schneider	40/152.1

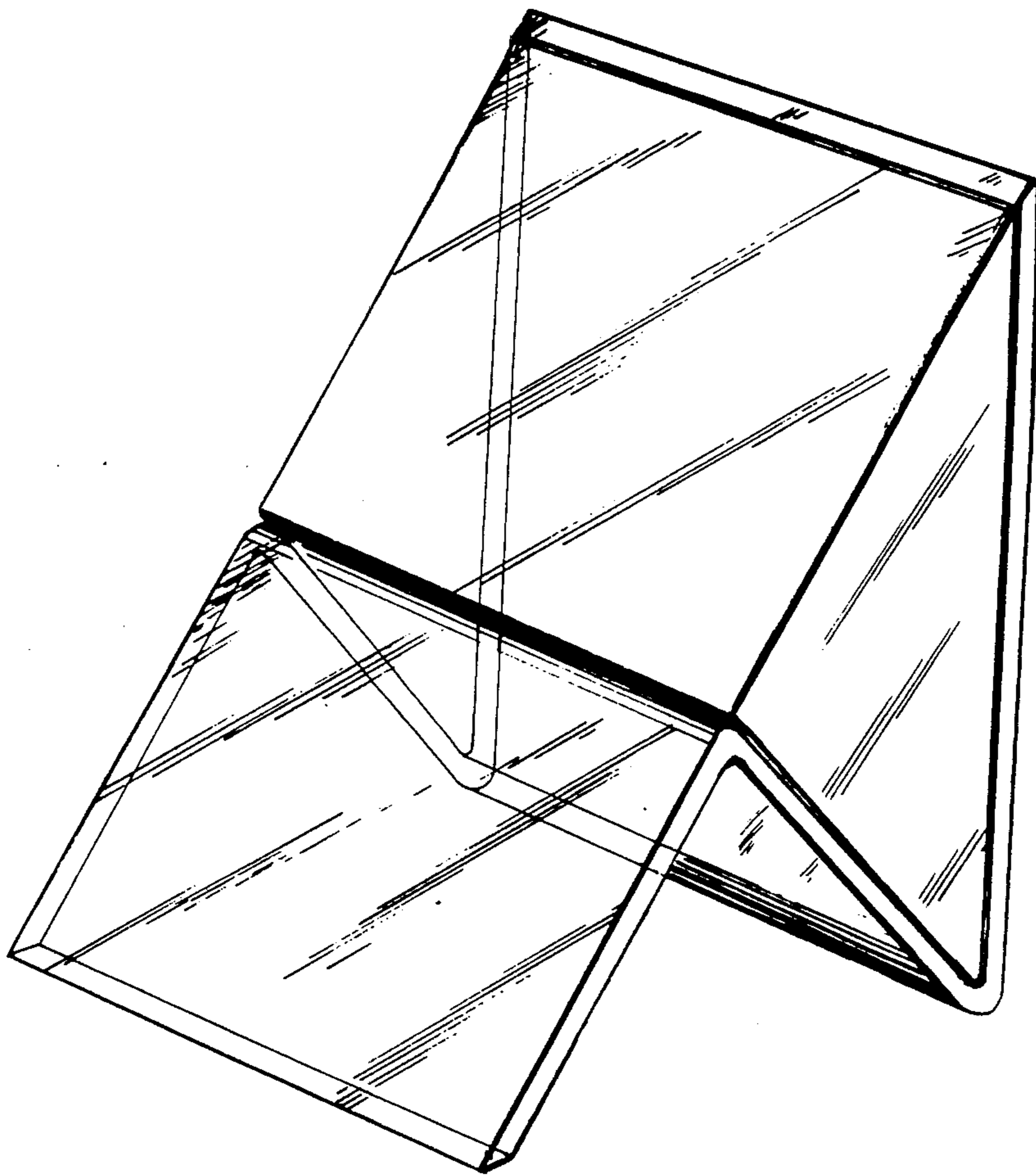
Primary Examiner—Wallace R. Burke
Assistant Examiner—Catherine Kemper
Attorney, Agent, or Firm—Myron Greenspan

[57] **CLAIM**

The ornamental design for a display device for photographs and the like, as shown.

DESCRIPTION

FIG. 1 is a perspective view of a display device for photographs and the like, showing my new design;
FIG. 2 is a side elevational view thereof;
FIG. 3 is a rear elevational view thereof;
FIG. 4 is a bottom plan view thereof.



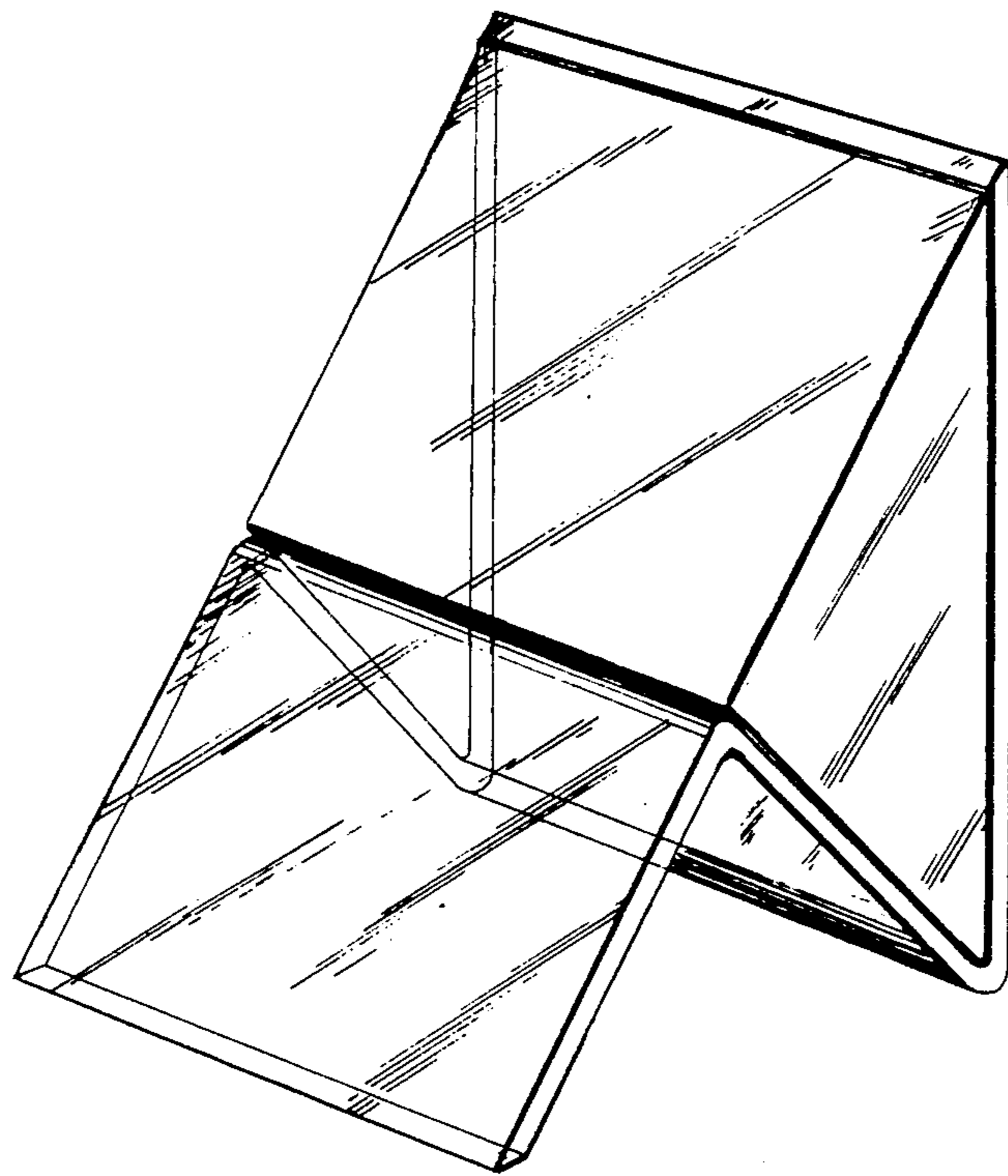


FIG. 1

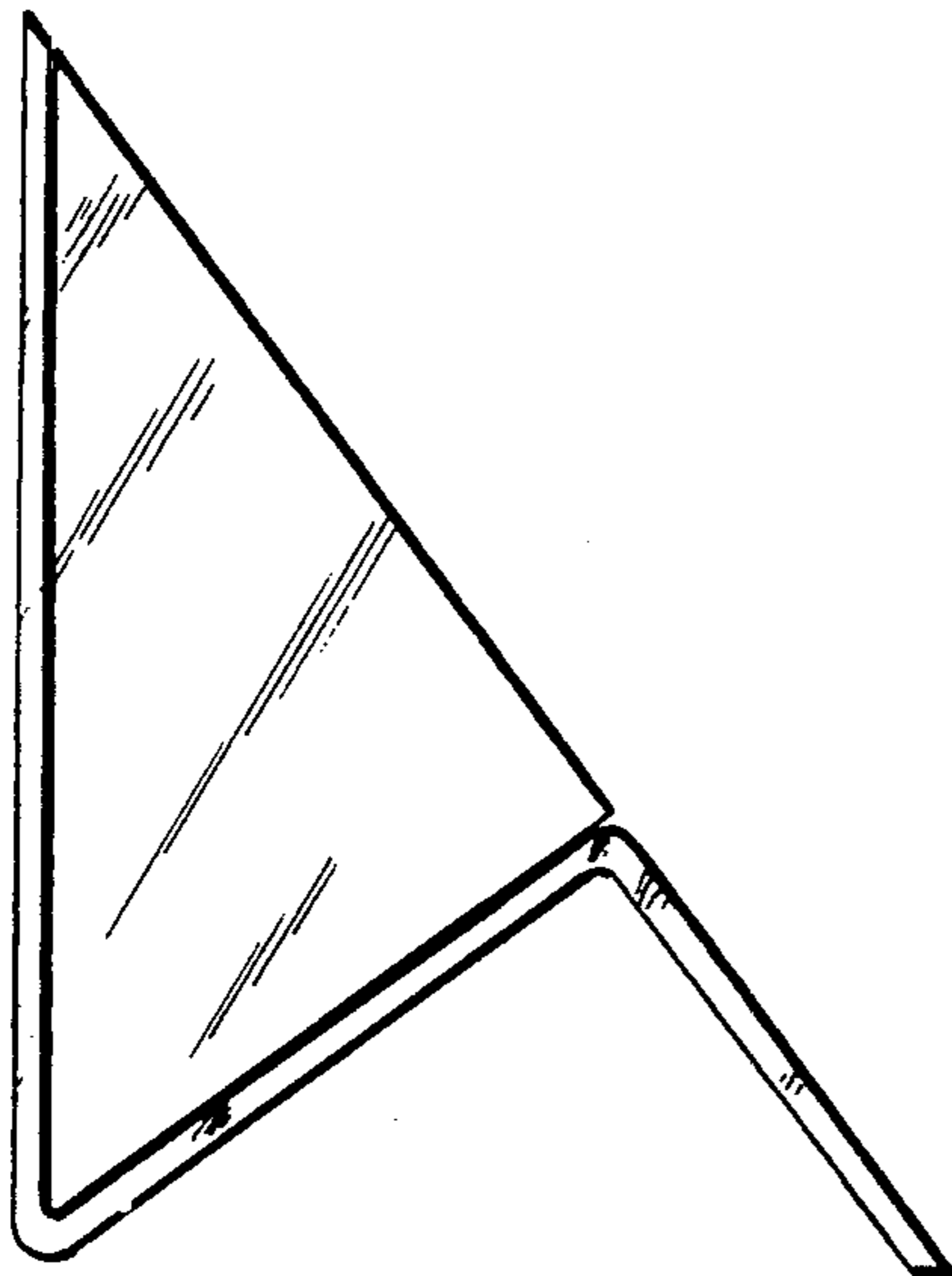


FIG. 2

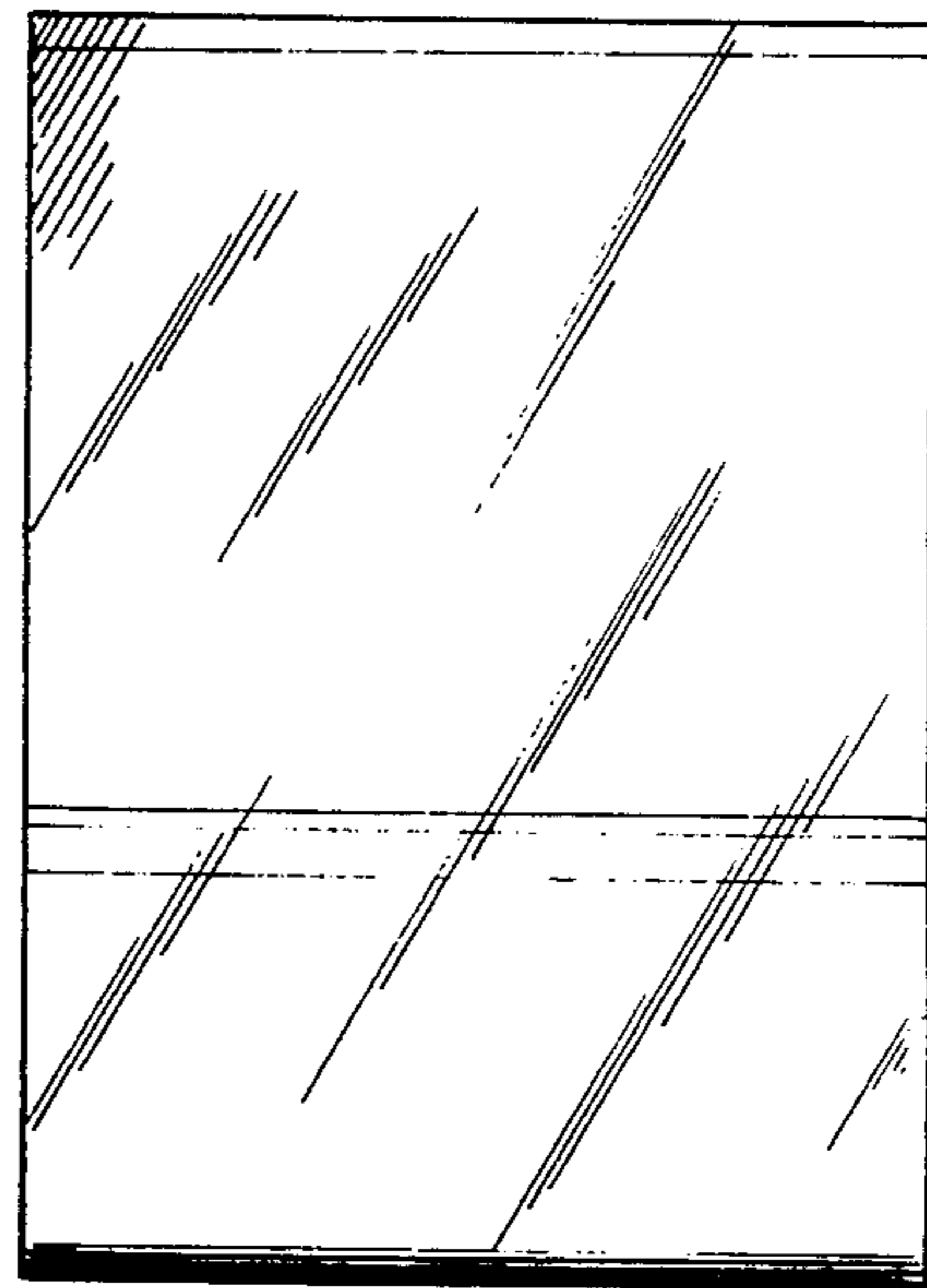


FIG. 3

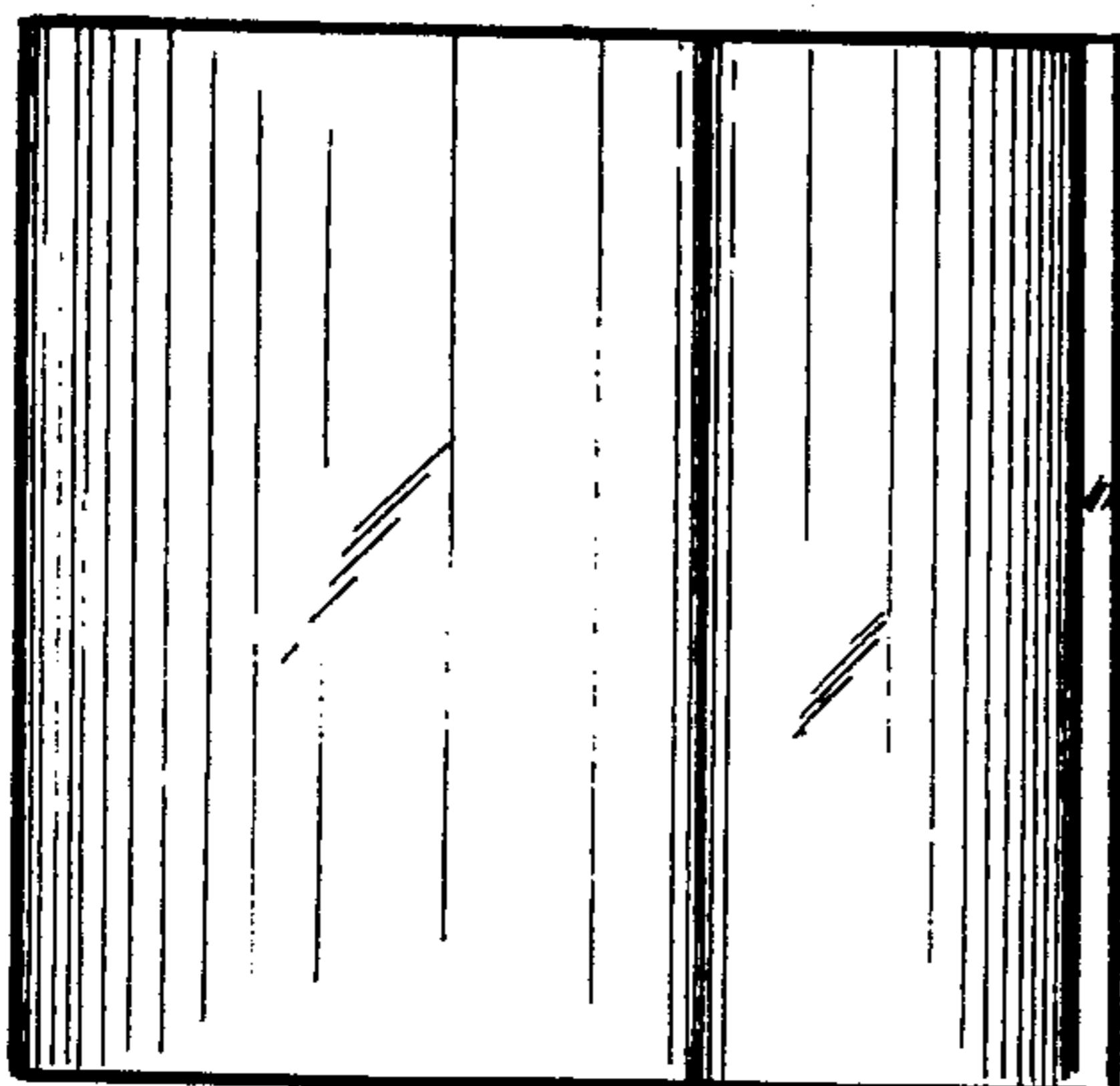


FIG. 4