

[54] CHAIR CONTROL

3,741,607 6/1973 Cramer ..... 297/313 X

[76] Inventor: Frank Doerner, 138 Aberdeen Road, Kitchener, Ontario, Canada

FOREIGN PATENT DOCUMENTS

774,926 1/1968 Canada ..... 248/381

[\*\*] Term: 14 Years

Primary Examiner—Bruce W. Dunkins  
Attorney, Agent, or Firm—George H. Riches

[21] Appl. No.: 730,353

[57] CLAIM

[22] Filed: Oct. 7, 1976

The ornamental design for a chair control, substantially as shown and described.

[51] Int. Cl. .... D6-06

[52] U.S. Cl. .... D6/194

[58] Field of Search ..... D6/191, 194, 20, 22, D6/26, 30, 31, 192, 193; 248/371, 377, 378, 188.1, 381, 418; 297/313, 301, 349, 445-451

DESCRIPTION

FIG. 1 is a top view of a chain control showing my new design.

FIG. 2 is a side view thereof.

FIG. 3 is an underneath view thereof.

FIG. 4 is a perspective view of the bottom and side thereof.

FIG. 5 is an end view thereof.

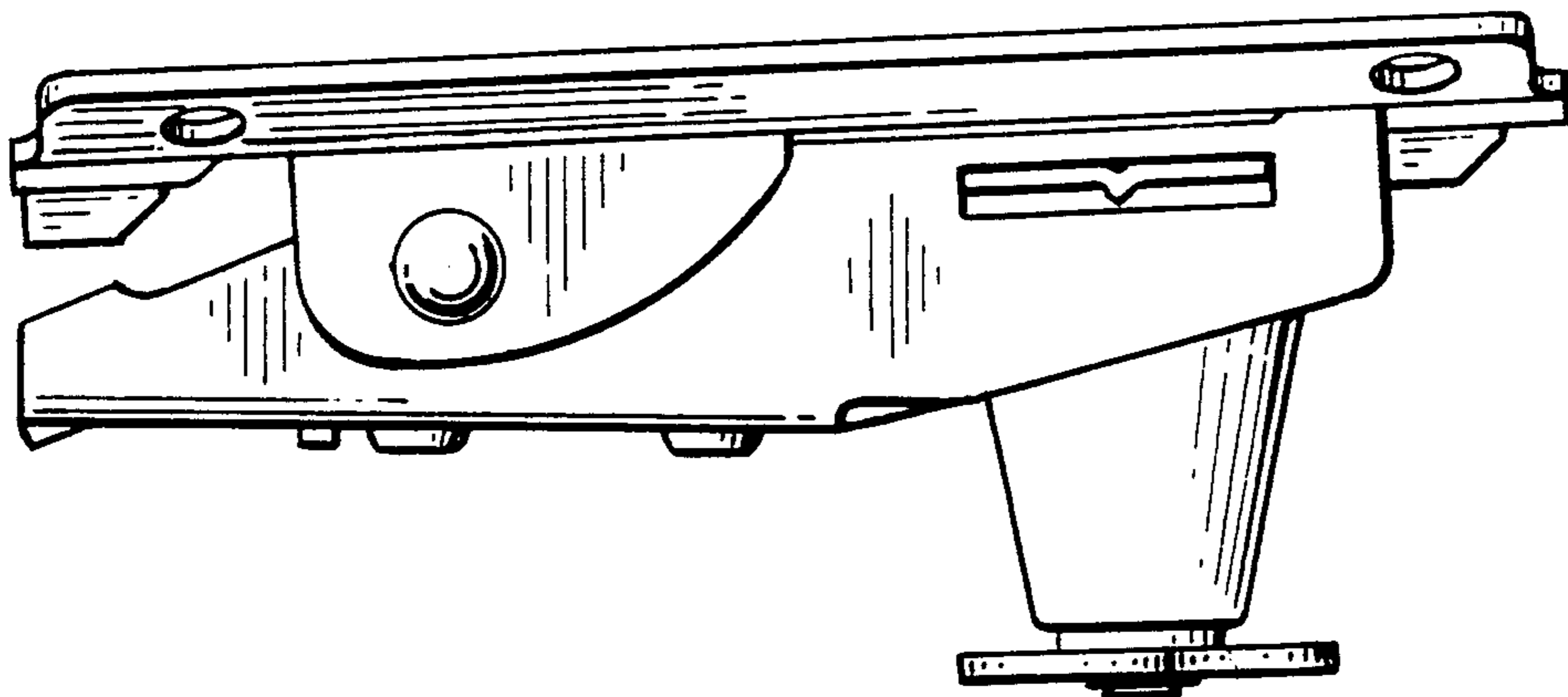
FIG. 6 is a front end view thereof.

The side of the chair control unit not shown in FIG. 2 is a mirror image of the side shown.

[56] References Cited

U.S. PATENT DOCUMENTS

D. 242,758	12/1976	Strang .....	D6/194
3,356,414	12/1967	Doerner .....	297/301
3,455,601	7/1969	Lie .....	248/378 X
3,656,805	4/1972	Engstrom .....	248/381 X
3,675,887	7/1972	Meinhardt .....	248/378



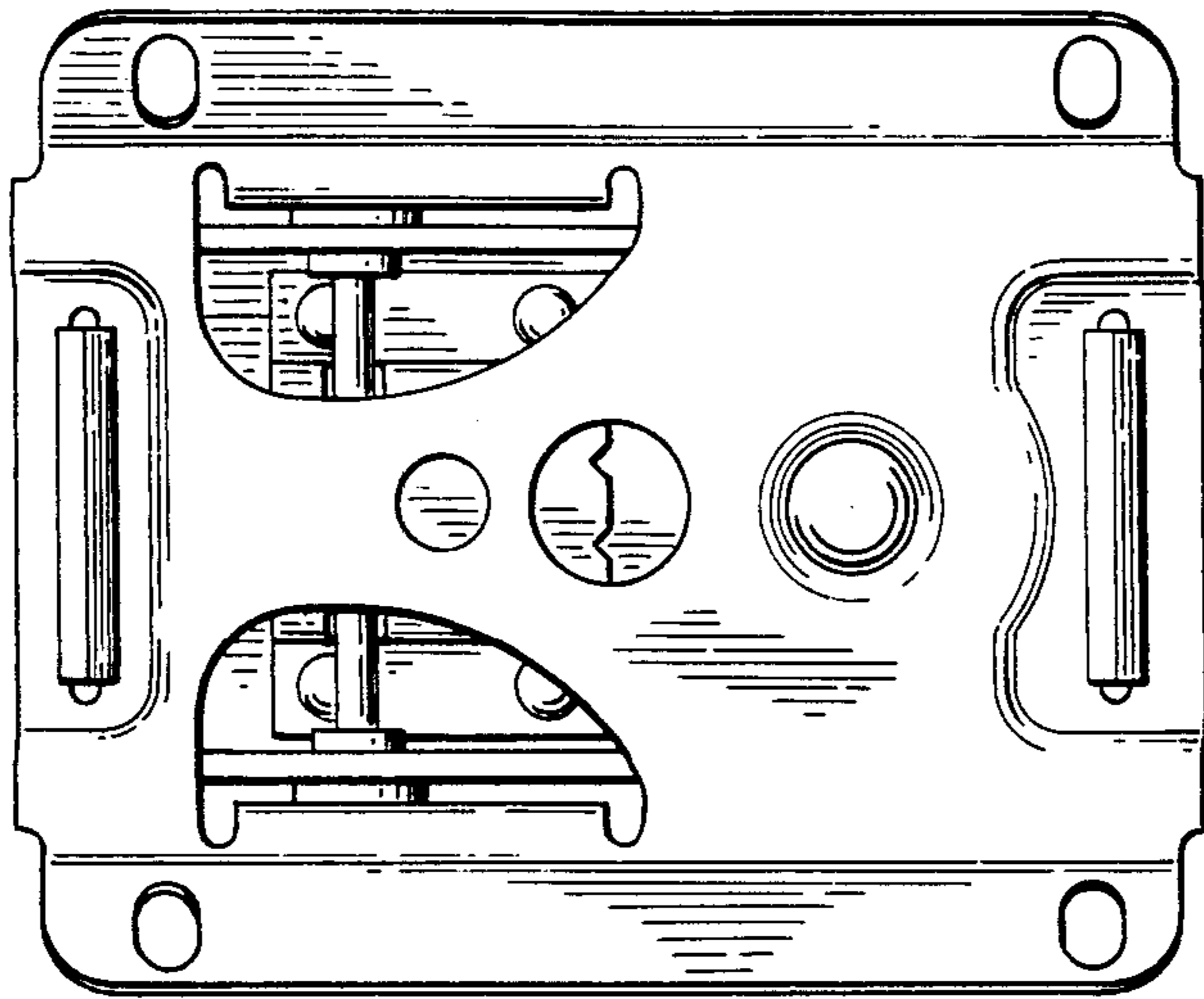


FIG. 1.

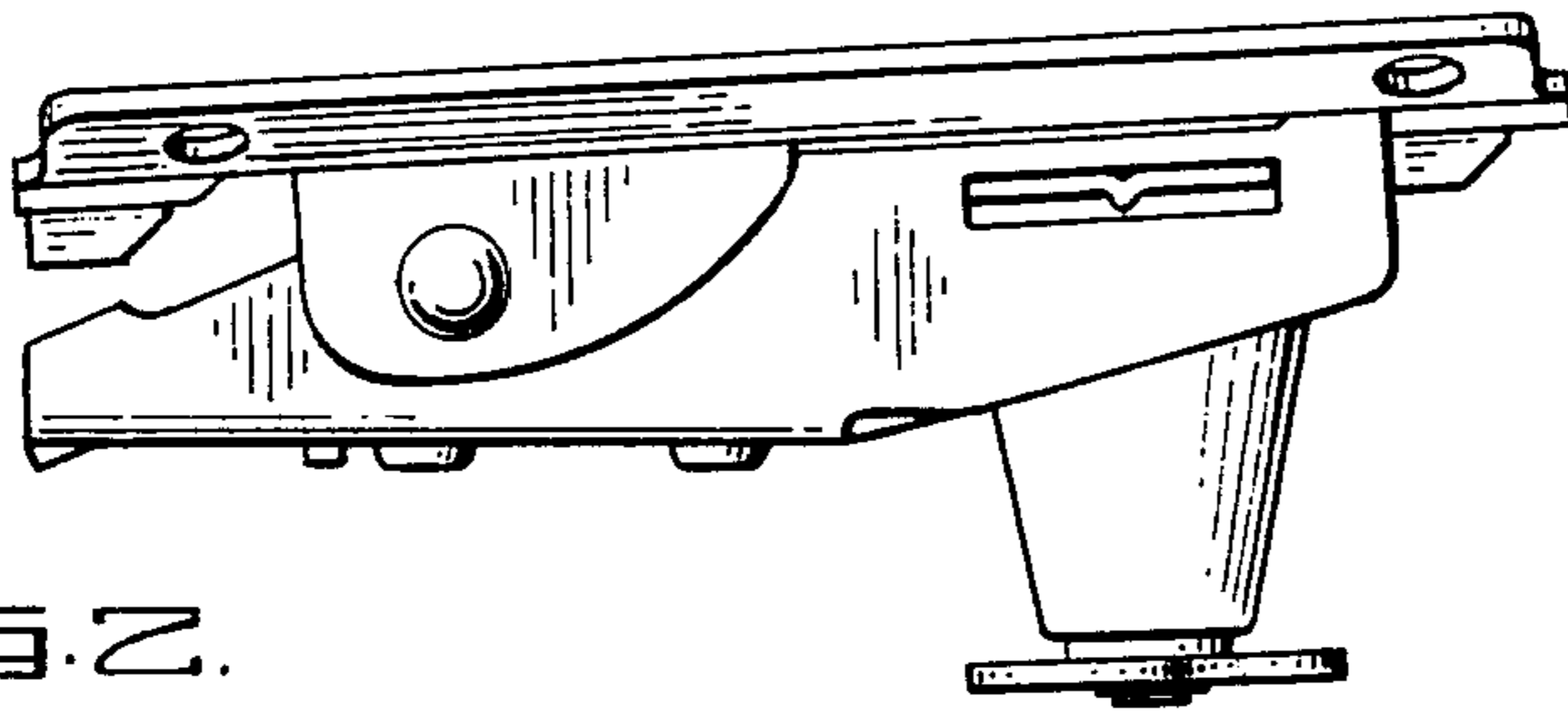


FIG. 2.

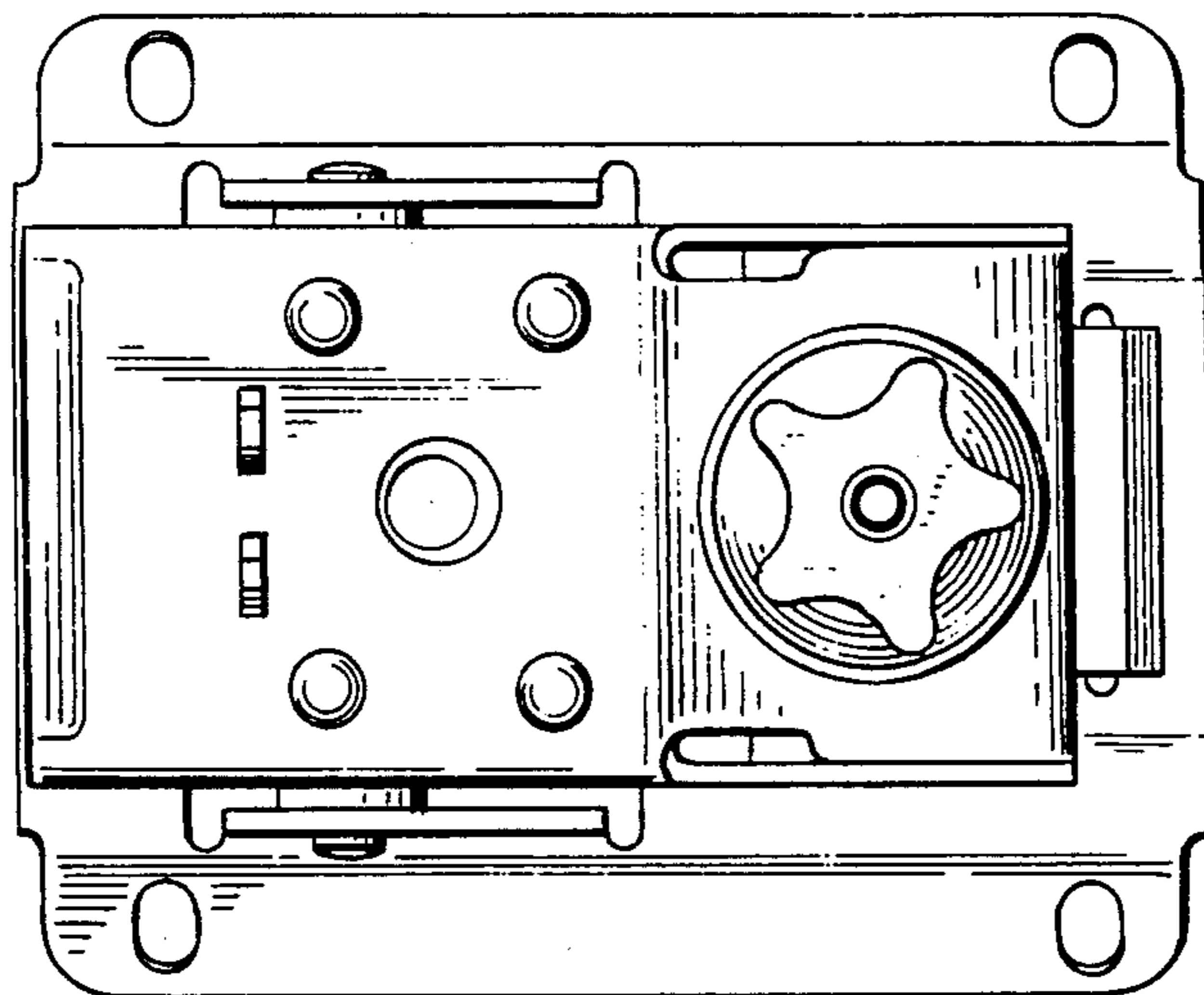


FIG. 3.

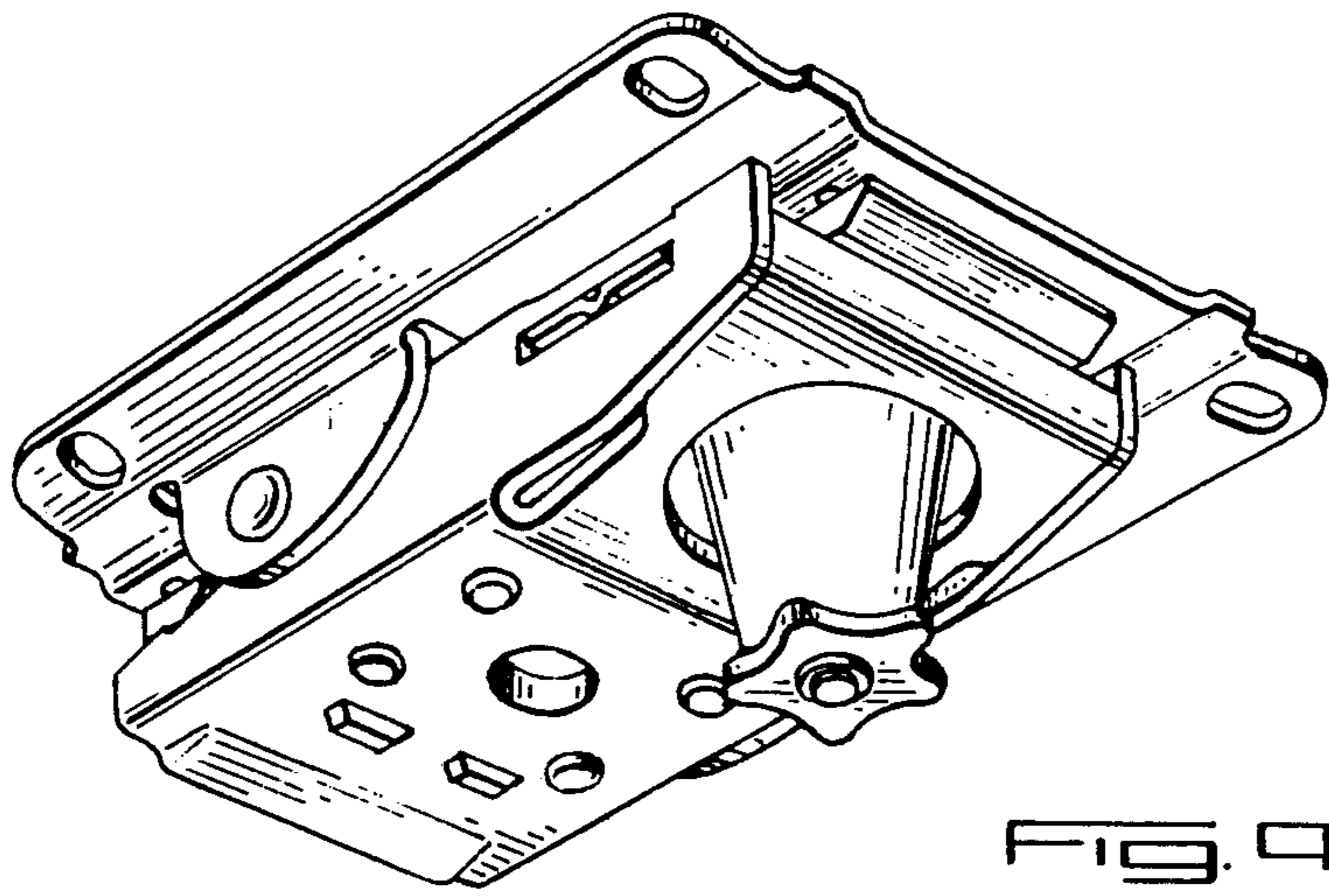


FIG. 4.

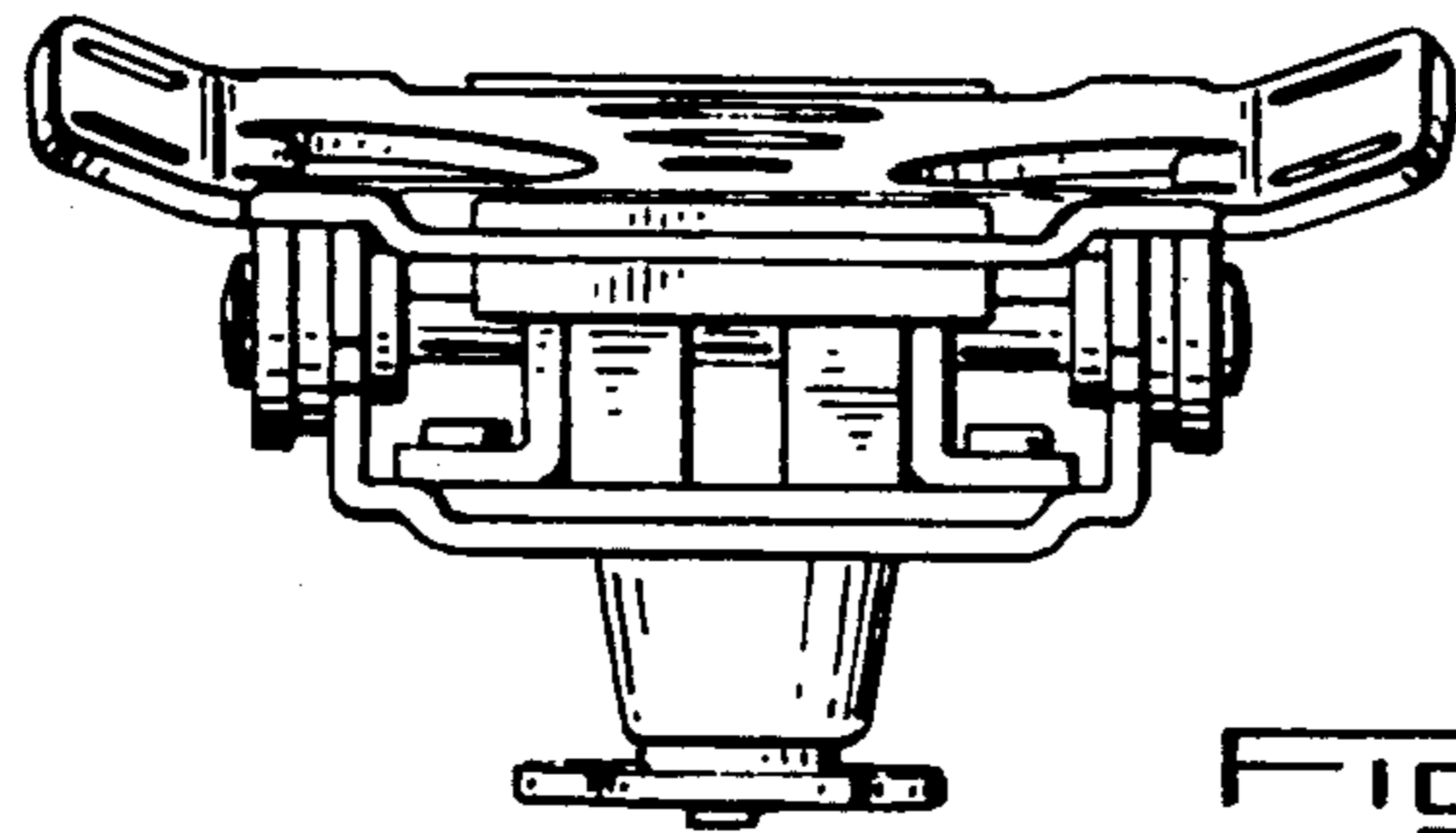


FIG. 5.

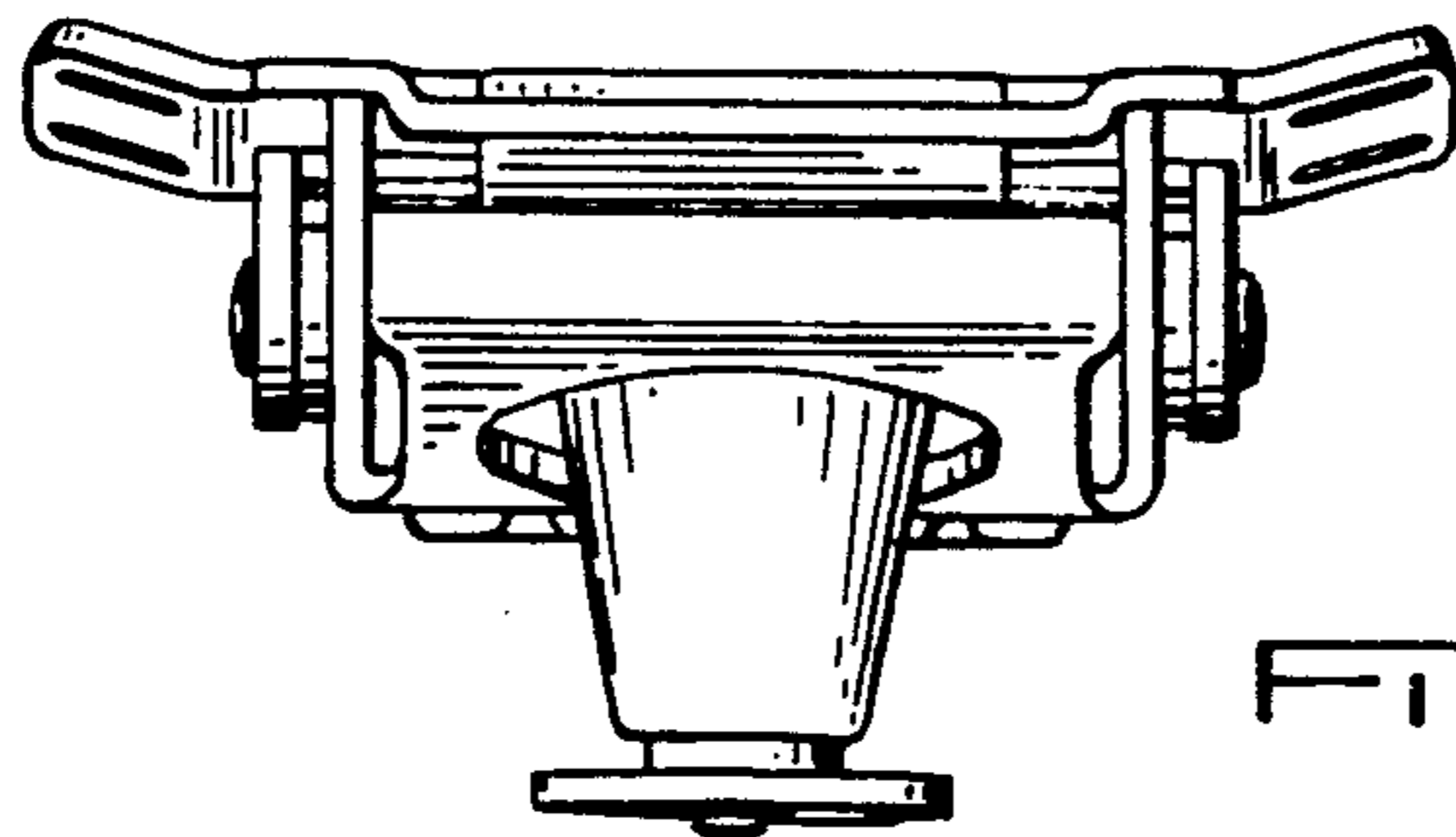


FIG. 6.