

[54] CONSOLE FOR MOTOR COVER OF A MOTOR VEHICLE

[75] Inventor: Larry R. Wynn, New Brighton, Pa.

[73] Assignee: Luce Industries, Inc., Ashtabula, Ohio

[**] Term: 14 Years

[21] Appl. No.: 742,653

[22] Filed: Nov. 17, 1976

[51] Int. Cl. D12-16

[52] U.S. Cl. D87/1 R; D12/155

[58] Field of Search D12/155, 195, 190, 157; D87/1 R; D7/38, 71; D6/174, 179, 181, 199; 224/29 R, 29 H, 42.11, 42.42 R, 42.42 A; 108/44, 47, 48; 296/37.8, 37.13, 37.14, 37.15, 37.16, 37.1; 312/281, 235 A

[56] References Cited

U.S. PATENT DOCUMENTS

D. 240,869 8/1976 Marr D87/1 R
3,909,092 9/1975 Kiernan 224/42.42 A

OTHER PUBLICATIONS

J. C. Whitney Catalog No. 355B, p. 12, Utility Tray for Vans, [H], top center of page.

J. C. Whitney Catalog No. 355B, p. 38, consoles A, B & C, bottom of page.

Primary Examiner—Wallace R. Burke

Assistant Examiner—James M. Gandy

Attorney, Agent, or Firm—James H. Tilberry

[57] CLAIM

The ornamental design for a console for motor cover of a motor vehicle, as shown.

DESCRIPTION

FIG. 1 is a perspective view of a console for motor cover of a motor vehicle showing my new design, it being understood that the broken lines are for illustrative purposes only;

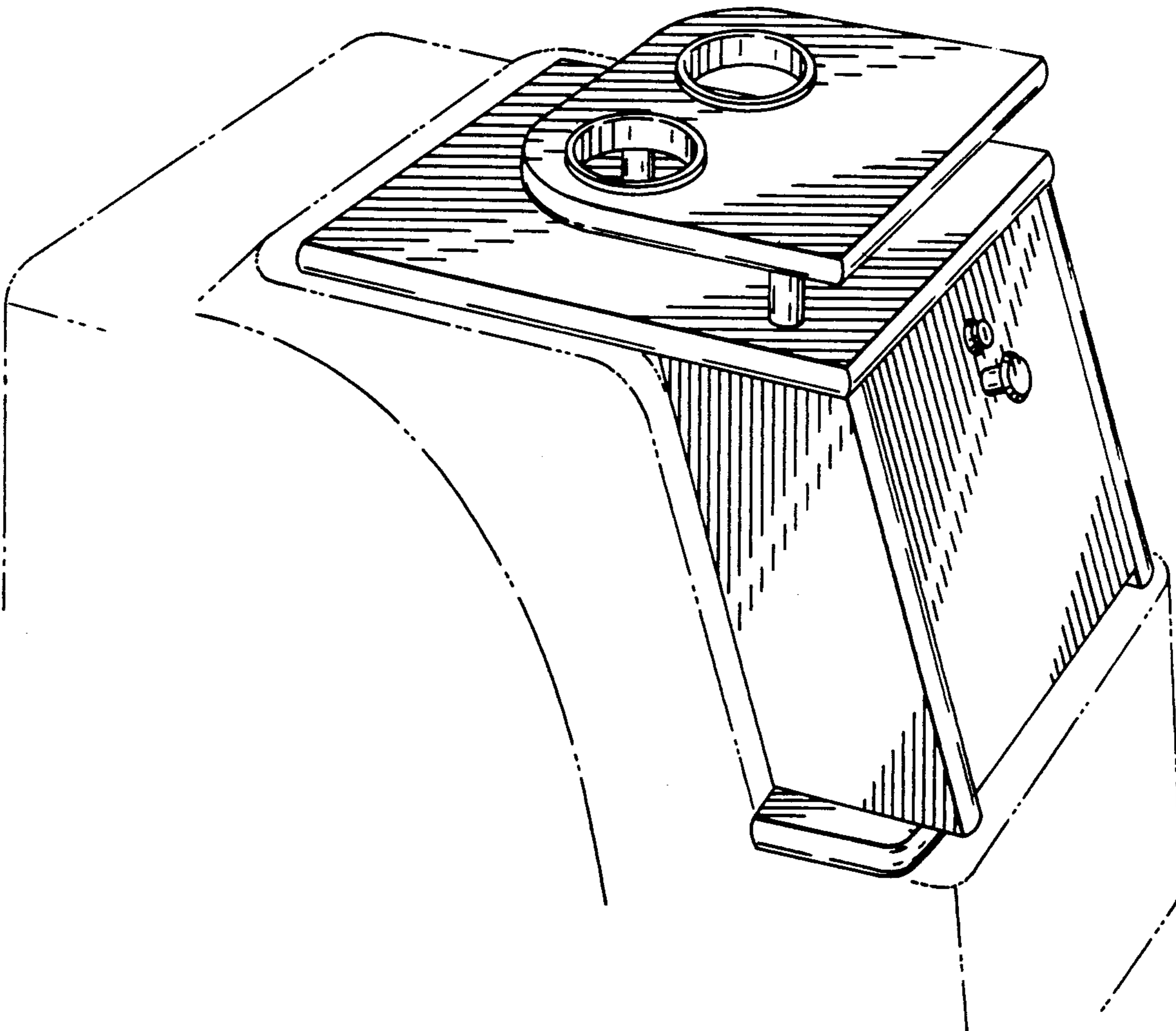
FIG. 2 is a top plan view thereof;

FIG. 3 is a left side elevational view thereof, the right side being a mirror image of the left side shown herein;

FIG. 4 is a front elevational view thereof;

FIG. 5 is a back elevational view thereof; and,

FIG. 6 is a bottom plan view thereof.



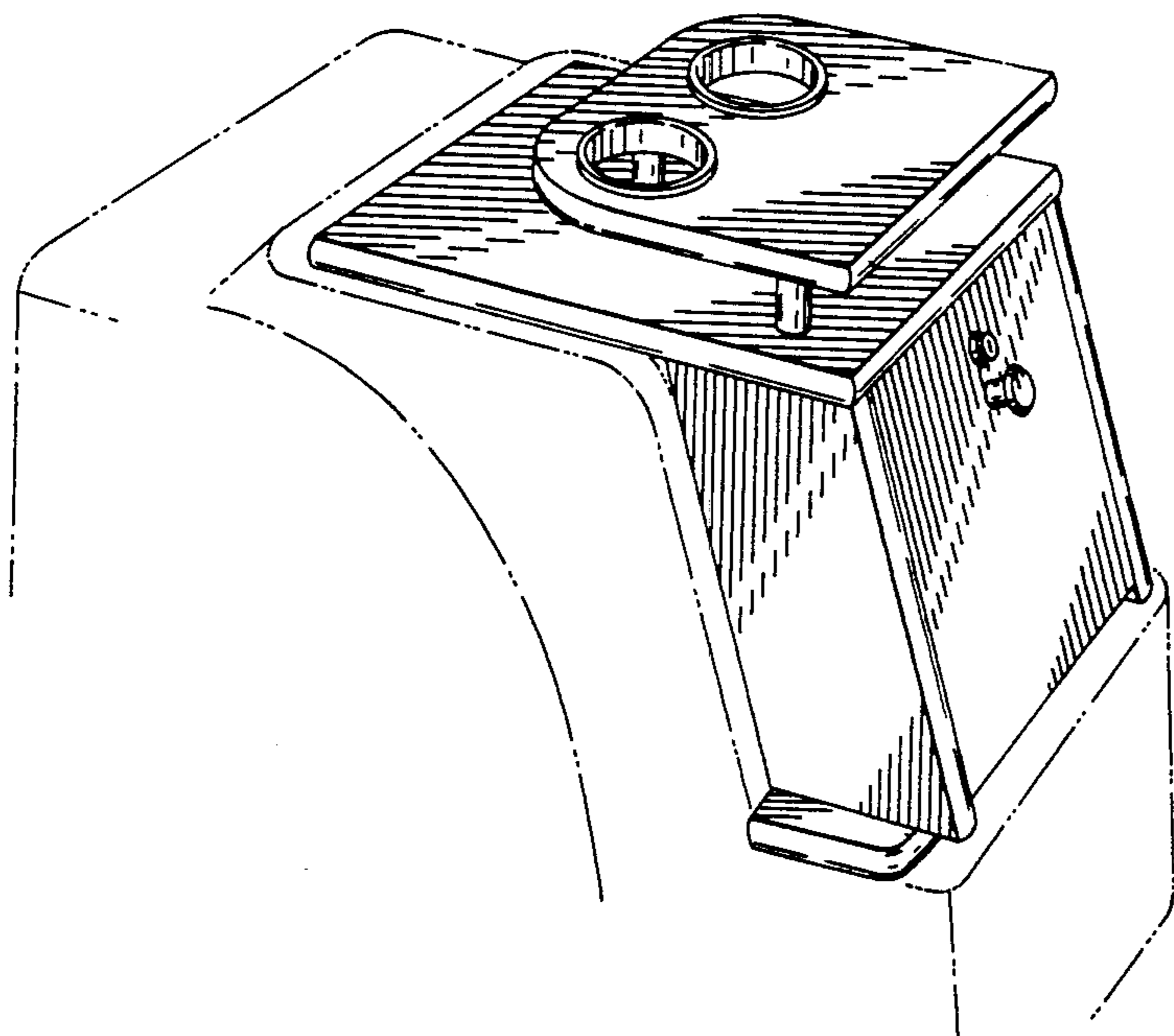


FIG. 1

FIG. 2

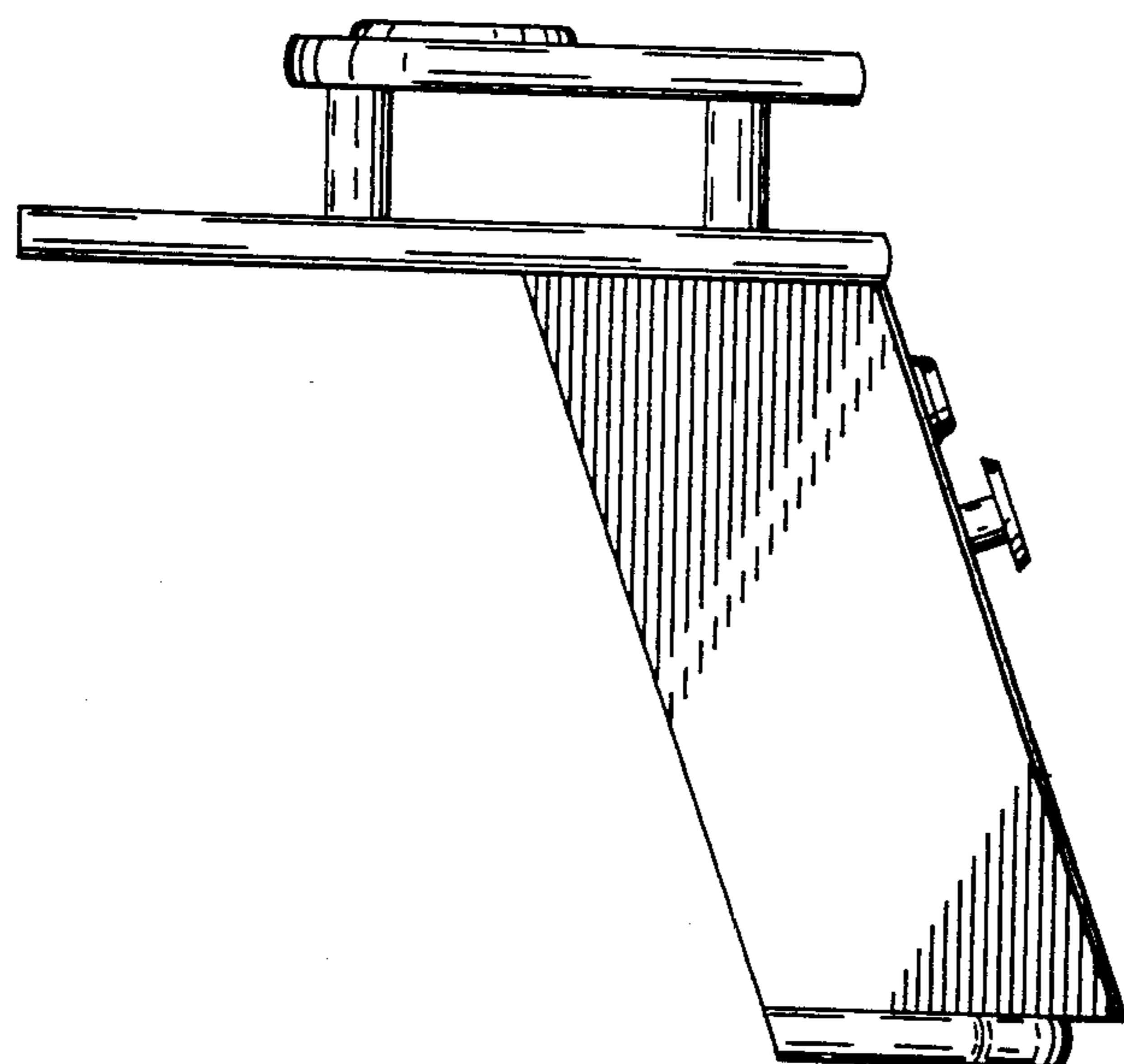
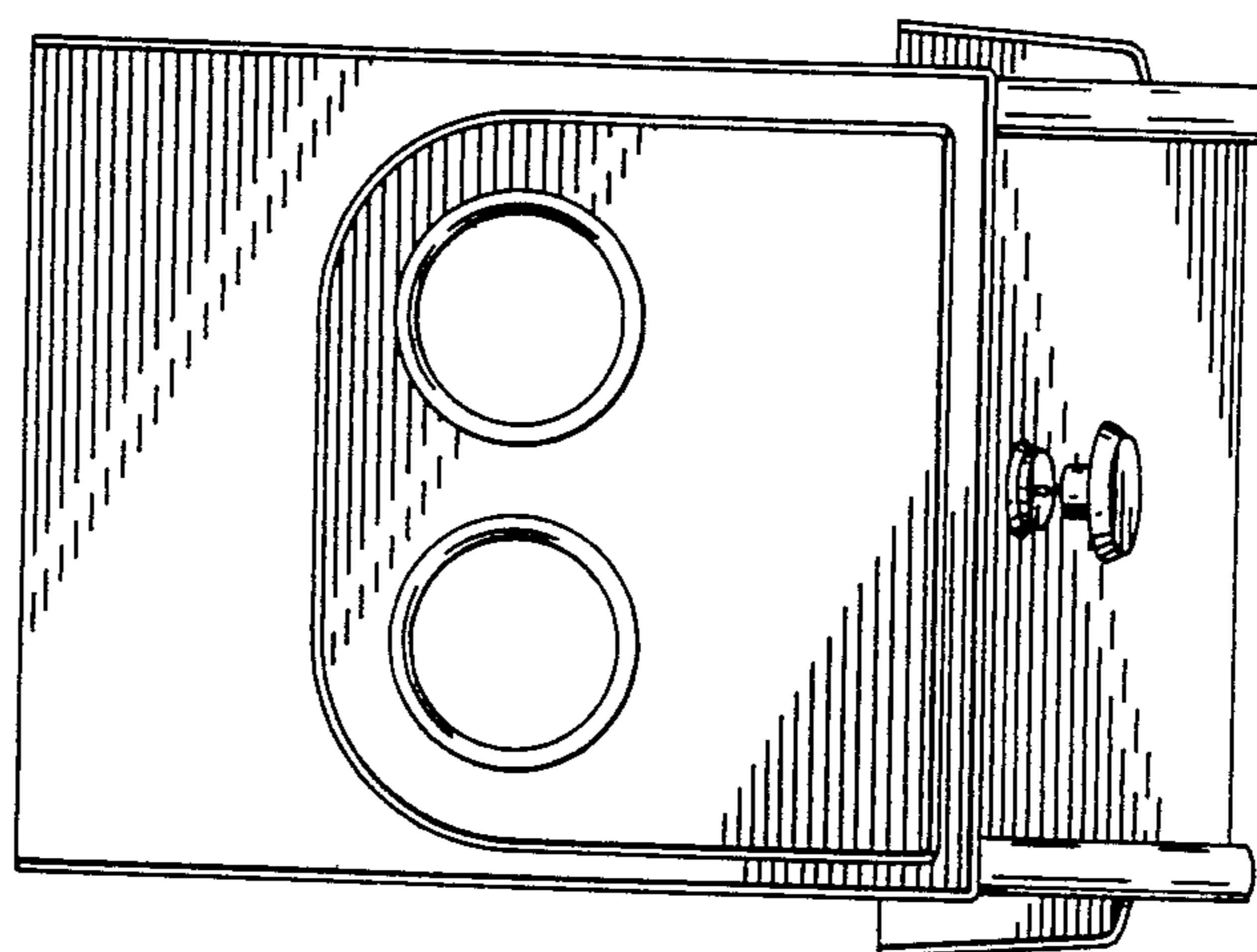


FIG. 3

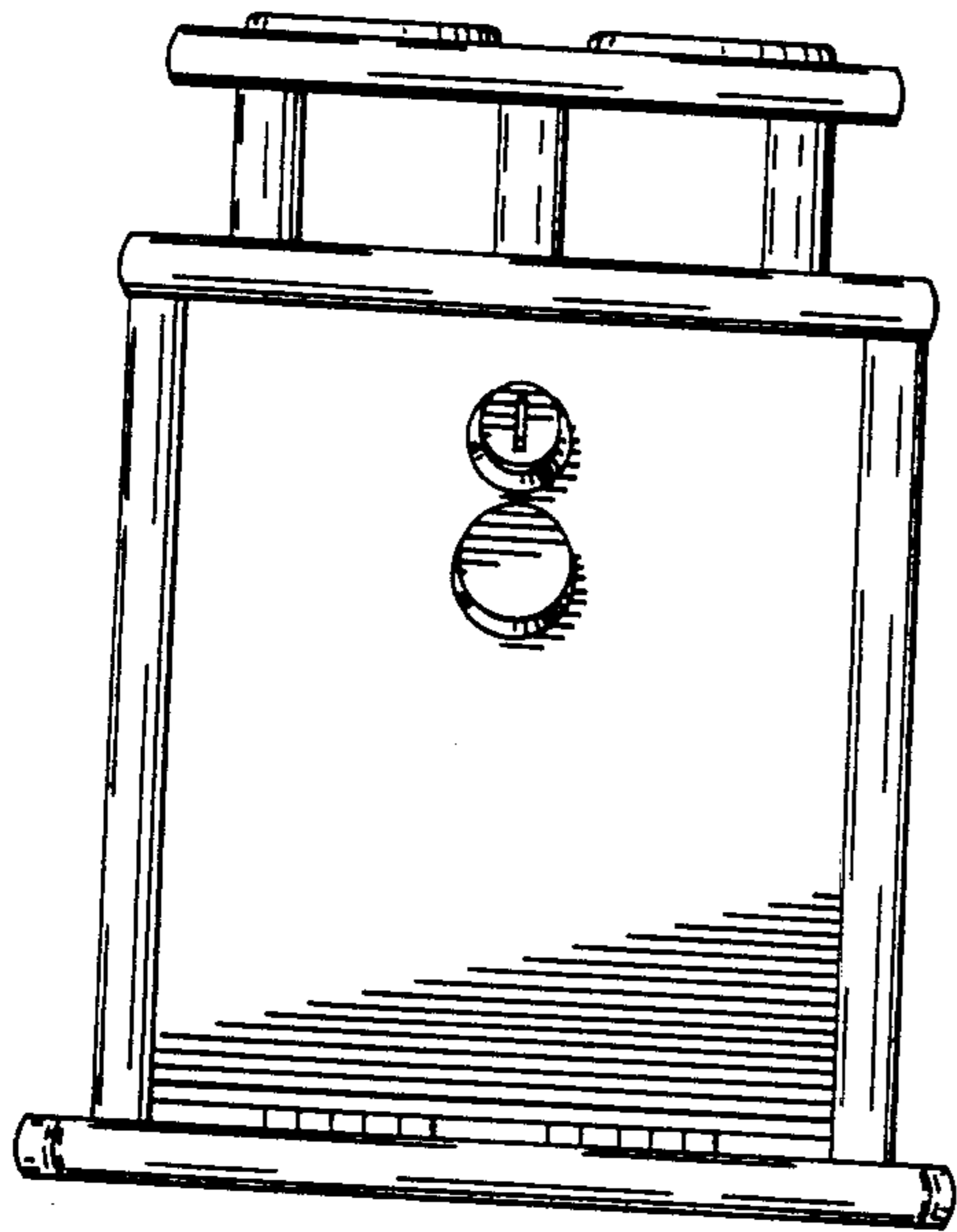


FIG. 4

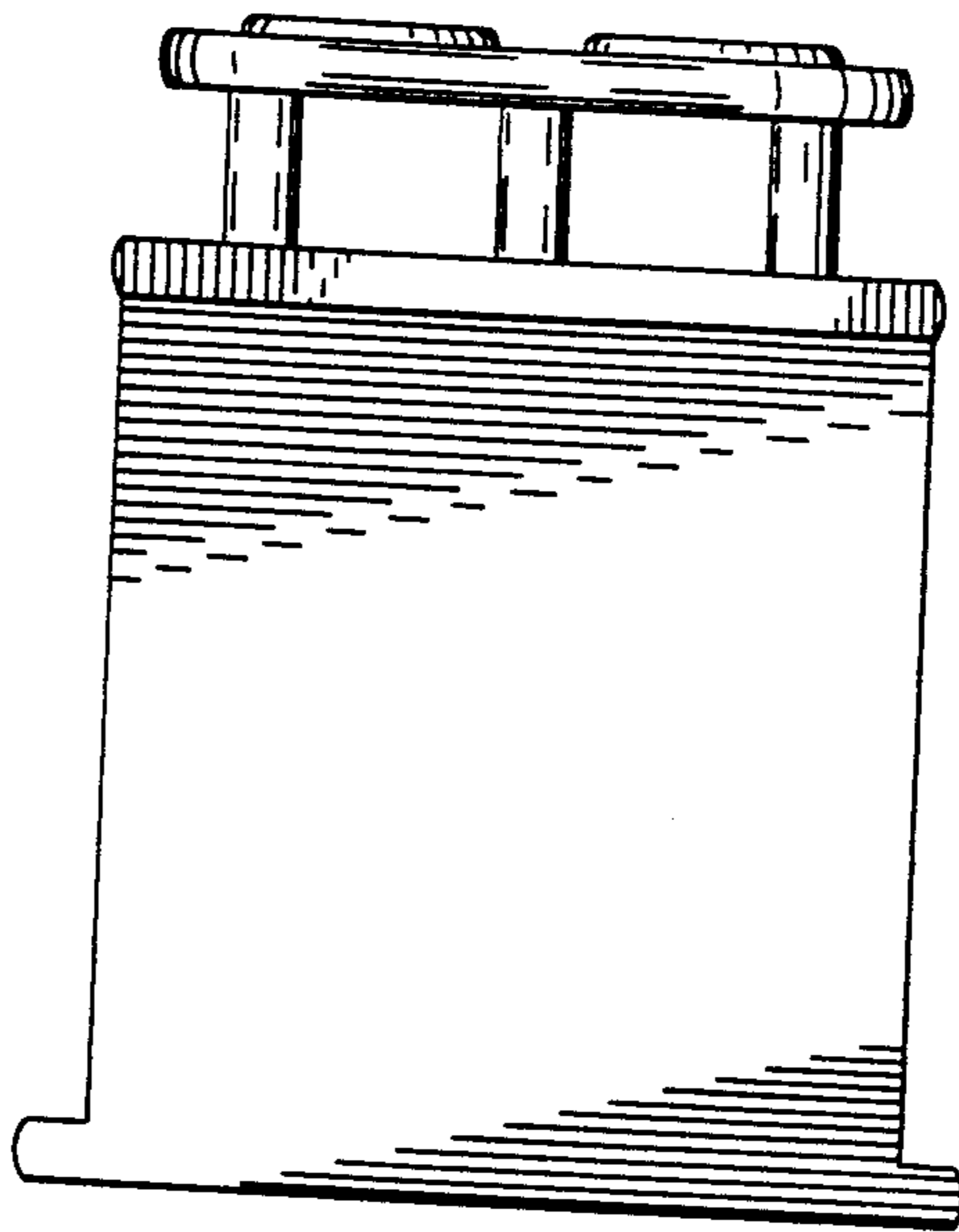


FIG. 5

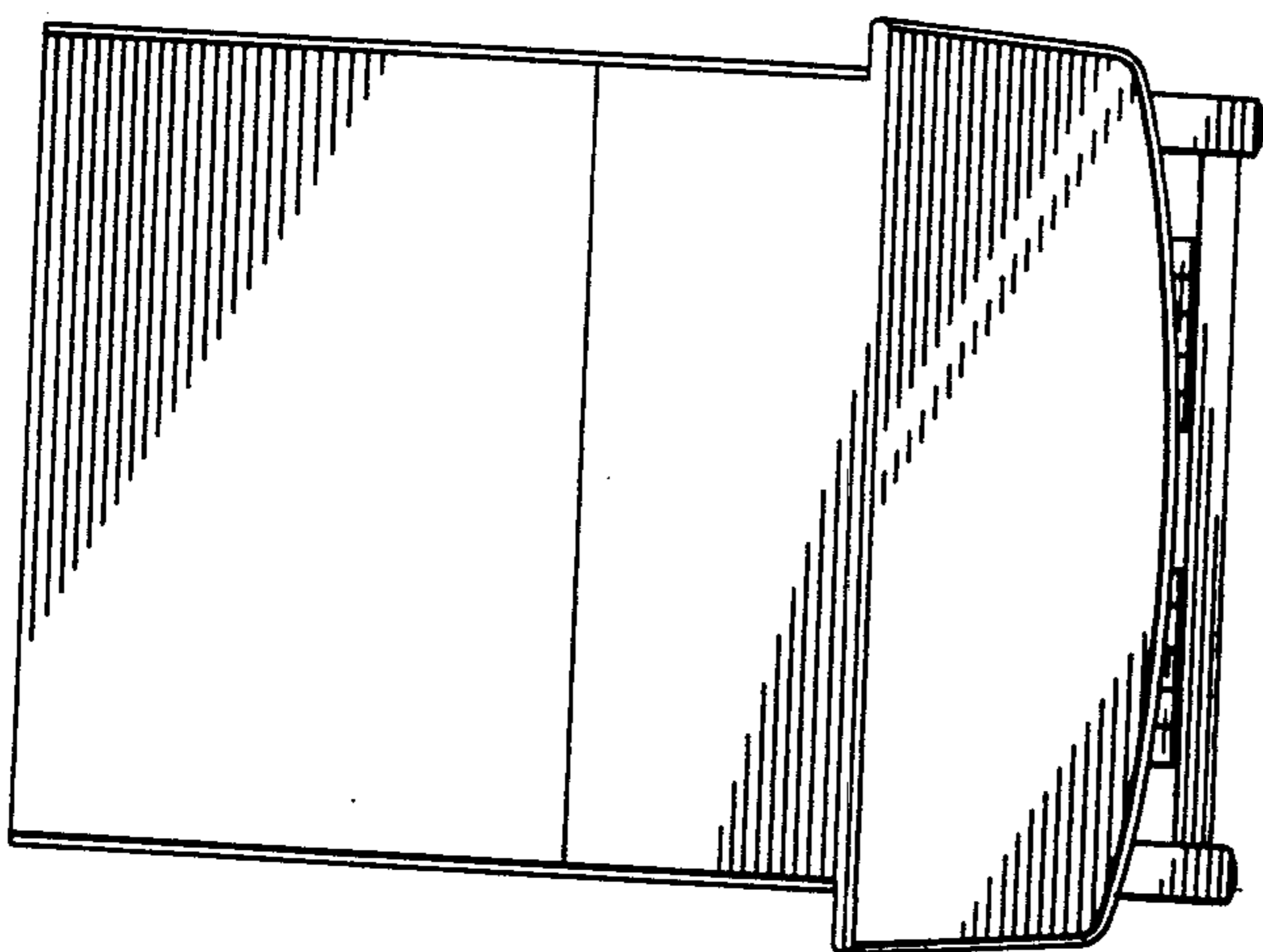


FIG. 6