

[54] **CONTAINER FOR A DIABETIC'S EQUIPMENT**

[76] **Inventor:** Arthur A. Gleichert, 2105-22nd Ave. S., Birmingham, Ala. 35223

[\*\*] **Term:** 14 Years

[21] **Appl. No.:** 684,092

[22] **Filed:** May 7, 1976

[51] **Int. Cl.** ..... D3-02

[52] **U.S. Cl.** ..... D87/1 R

[58] **Field of Search** ..... D87/1 R, 5 F, 5 E;  
D9/183-189, 237-240; 220/21, 22; 206/370, 363, 365

[56] **References Cited**

**U.S. PATENT DOCUMENTS**

D. 96,821 9/1935 Graff ..... D87/5 F  
D. 200,179 1/1965 Hosch ..... D87/1 R

D. 238,980 2/1976 Bates ..... D87/5 E  
3,243,037 3/1966 Luertzing ..... D9/185  
3,642,123 2/1972 Knox ..... 206/365

*Primary Examiner*—Joel Stearman  
*Assistant Examiner*—George P. Word  
*Attorney, Agent, or Firm*—Woodford R. Thompson, Jr.

[57] **CLAIM**

The ornamental design for a container for a diabetic's equipment, as shown and described.

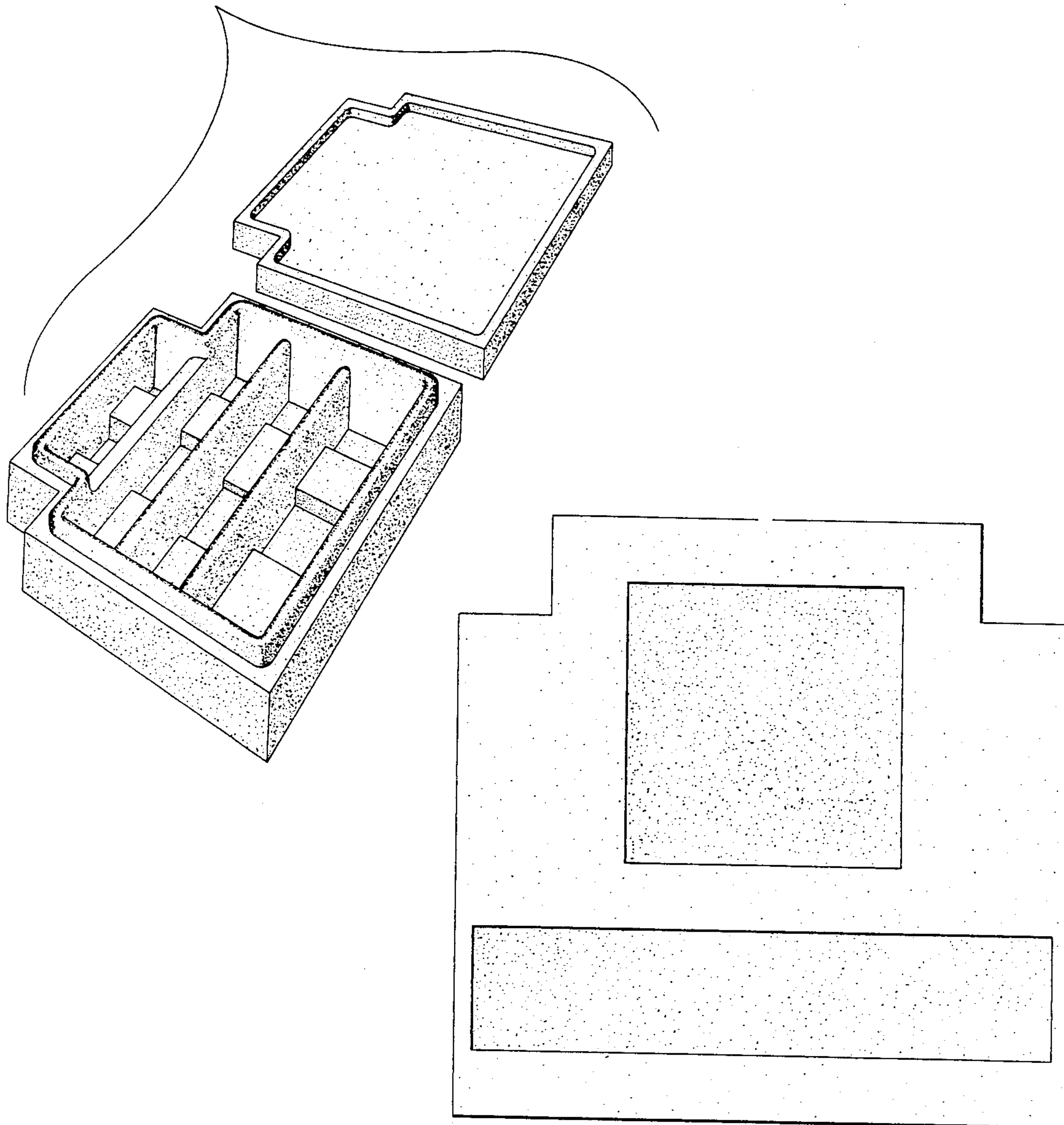
**DESCRIPTION**

FIG. 1 is a top plan view of a container for a diabetic's equipment showing my new design, the bottom exterior surface of the container not shown being plain and unornamented;

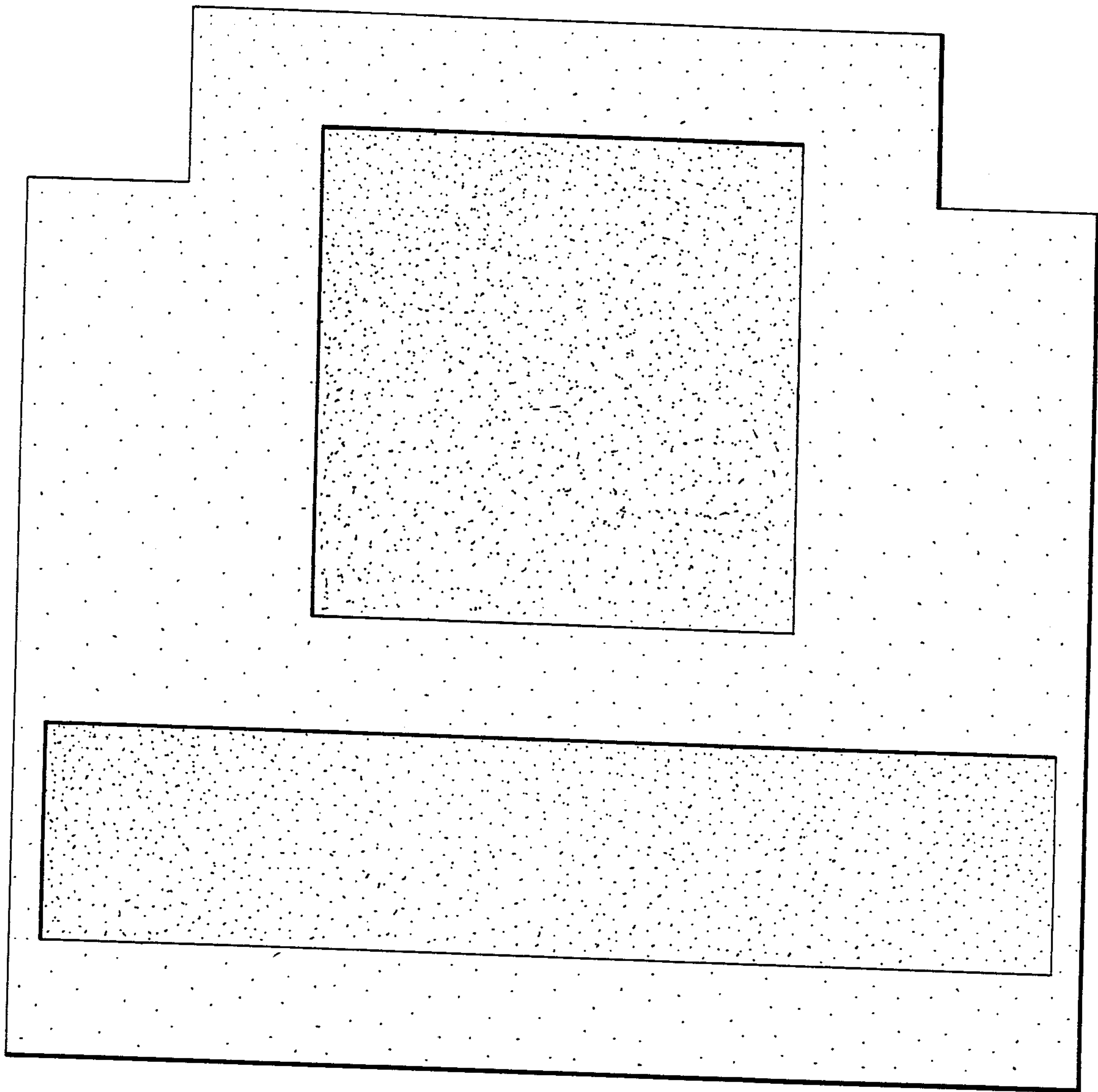
FIG. 2 is a rear elevational view;

FIG. 3 is a reduced scale exploded perspective view with the cover member inverted;

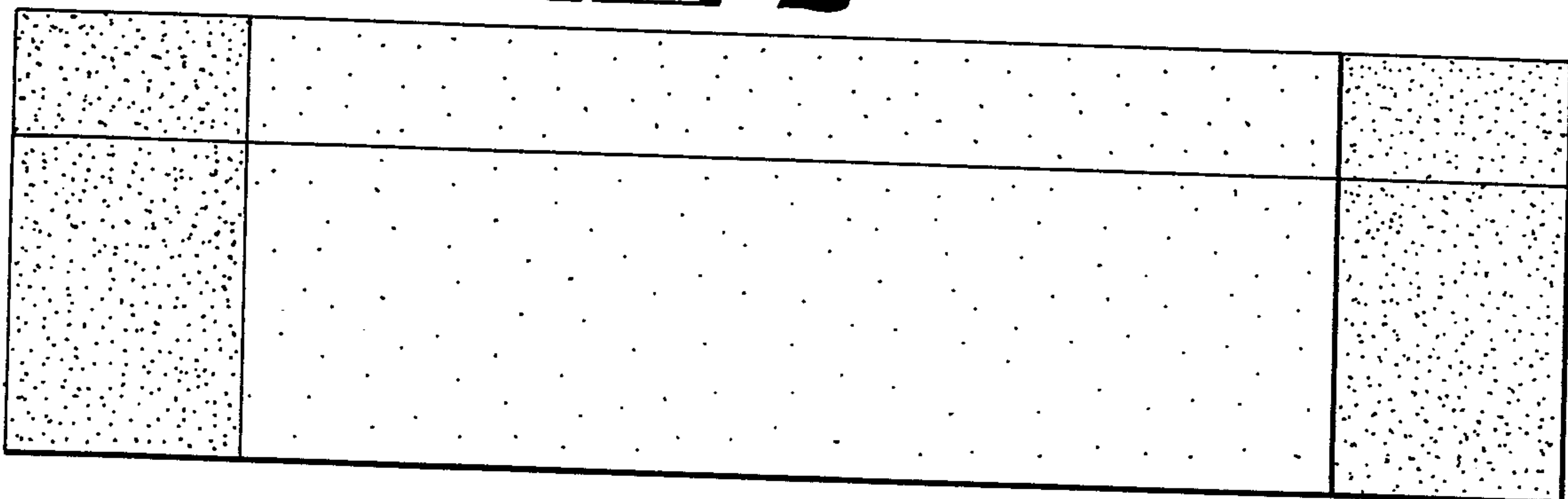
FIG. 4 is a top plan view of the container with the cover member removed.



**Fig 1**

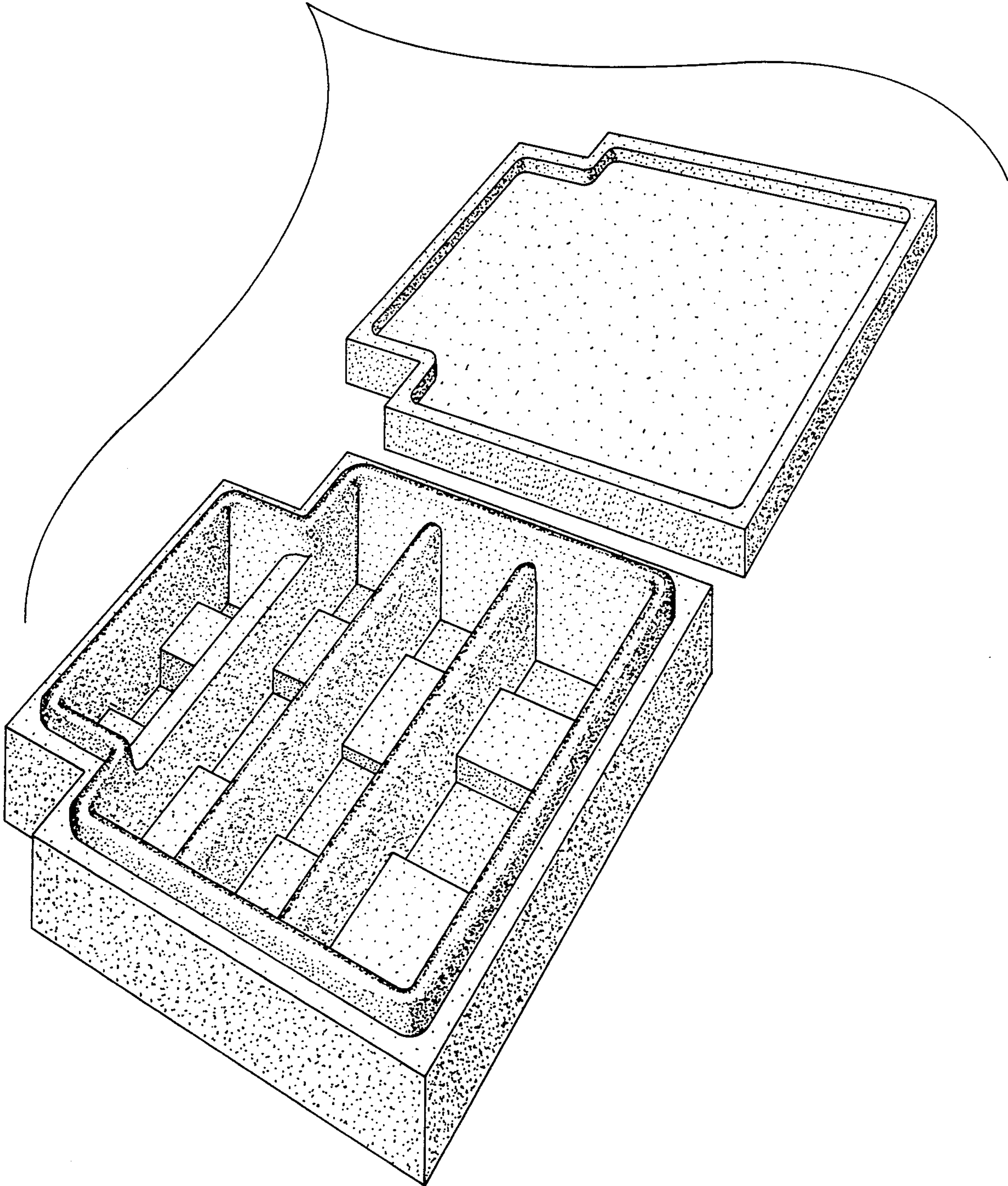


**Fig 2**





**Fig 3**



**Fig 4**

