

[54] TOILET

[56]

References Cited

U.S. PATENT DOCUMENTS

[75] Inventors: Thomas Michael Whitney, Lapeer; Samuel C. Crosby, Ann Arbor; Maurice F. Baldwin, Lapeer, all of Mich.

D. 92,215	5/1934	Teahen	D23/65
D. 95,733	5/1935	Duncan, Sr.	D23/65
D. 97,796	12/1935	Williams	D23/65
D. 139,563	11/1944	Young	D23/65
D. 198,018	4/1964	Wadsworth	D23/65
D. 199,235	9/1964	Tiller	D23/65
D. 200,461	3/1965	Mox	D23/65
D. 224,108	7/1972	Doman	D23/65

[73] Assignee: Trayco, Inc., Lapeer, Mich.

[**] Term: 14 Years

Primary Examiner—James R. Largen
Attorney, Agent, or Firm—Michael O. Sutton

[21] Appl. No.: 761,731

[57]

CLAIM

The ornamental design for a toilet, as shown.

[22] Filed: Jan. 24, 1977

DESCRIPTION

[51] Int. Cl. D23—02
[52] U.S. Cl. D23/65
[58] Field of Search D23/48-50,
D23/65-71; 4/1, 10-14, 868, 869

FIG. 1 is a left side elevational view of a toilet showing our new design;
FIG. 2 is a top plan view thereof;
FIG. 3 is a right side elevational view thereof;
FIG. 4 is a front elevational view thereof; and
FIG. 5 is a rear elevational view thereof.

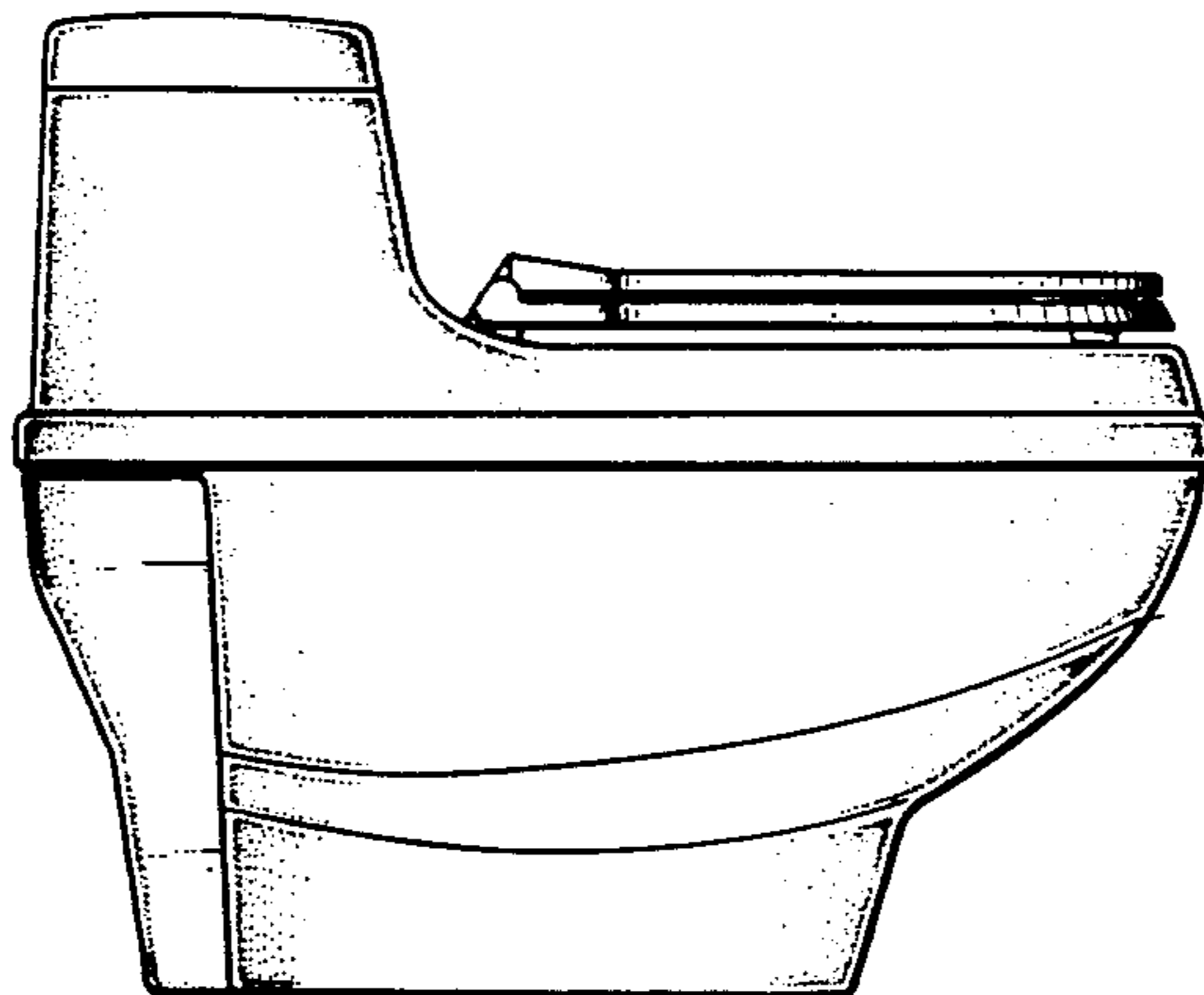
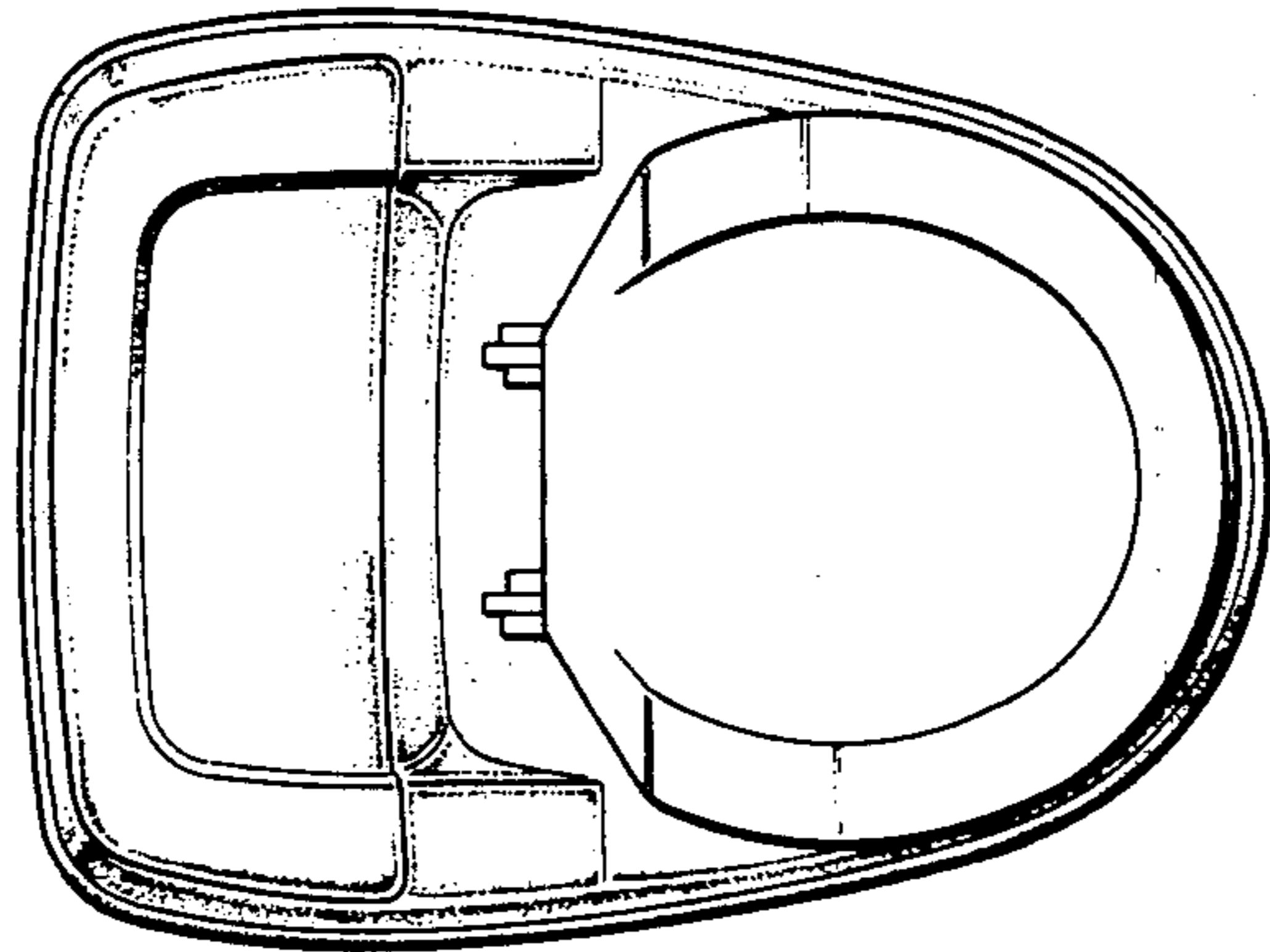


FIG. 2

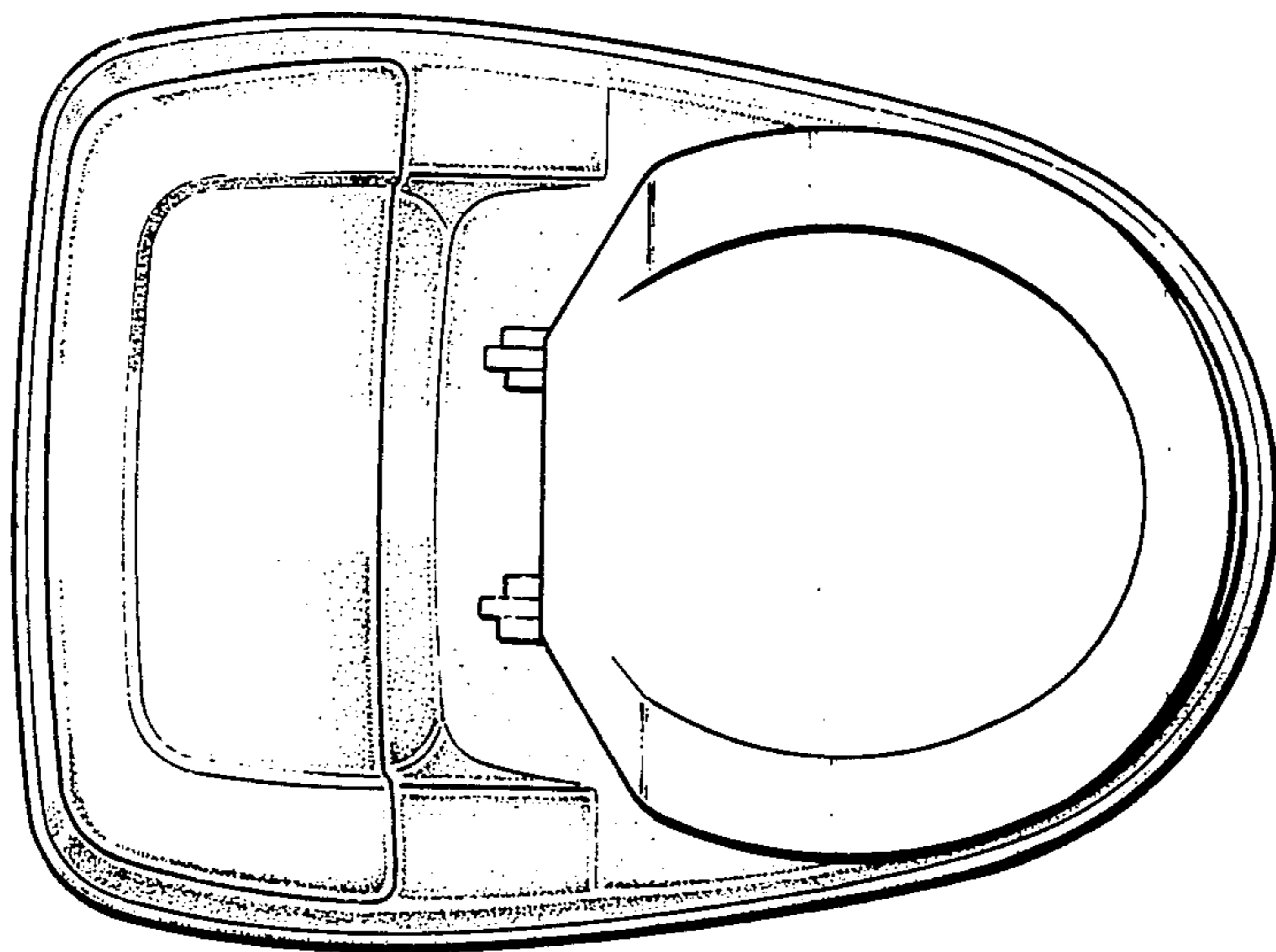


FIG. 1

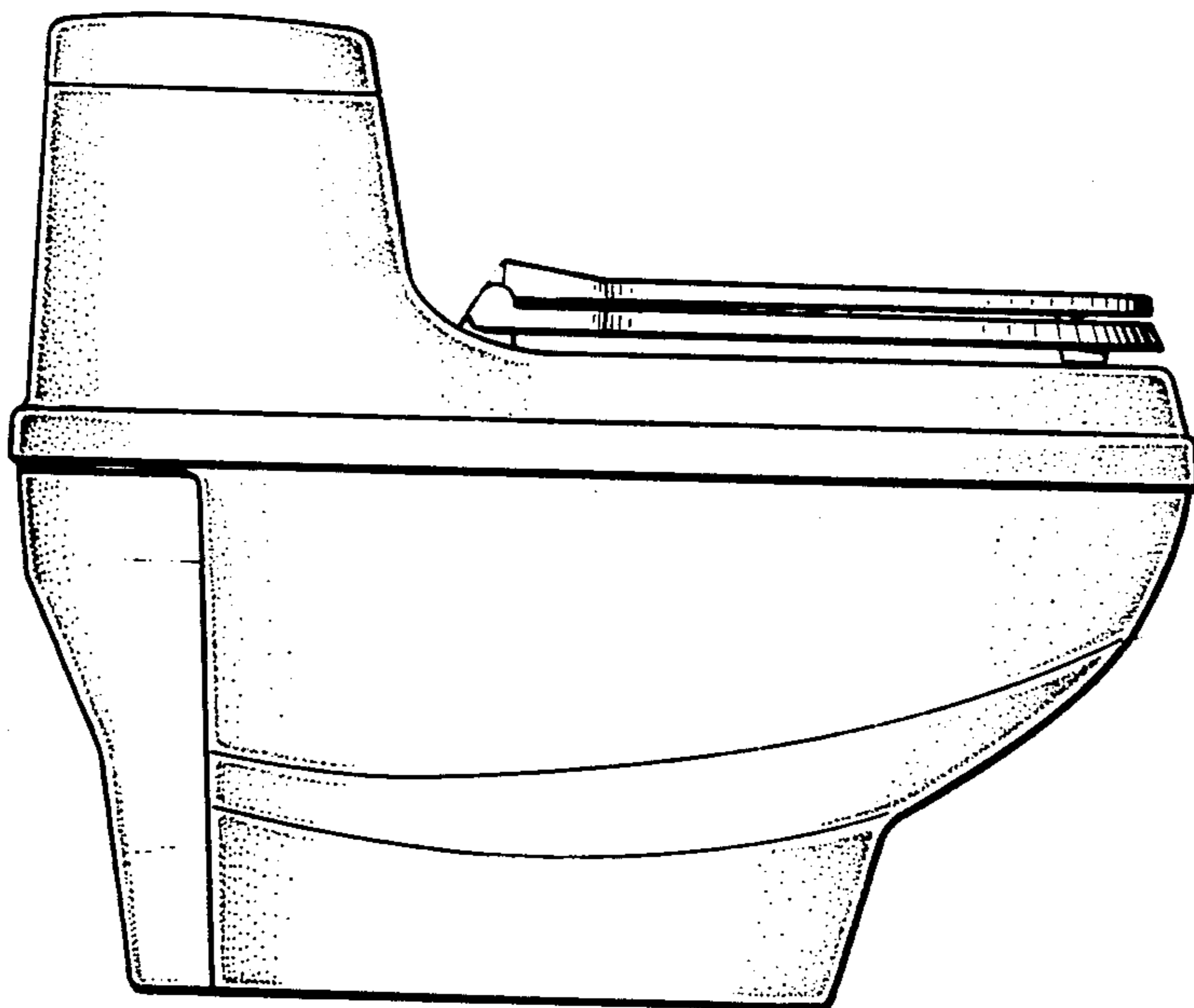


FIG. 3

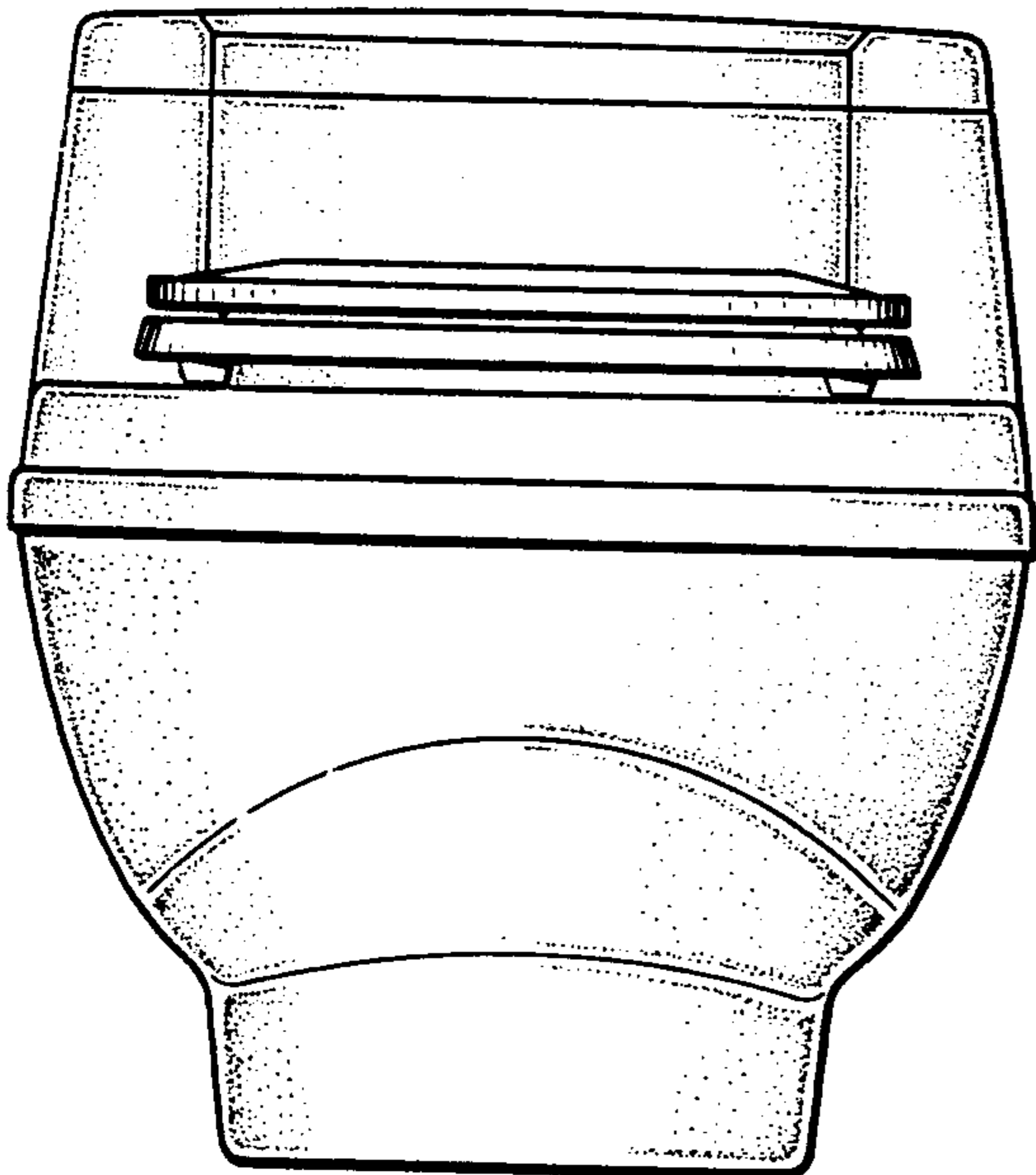
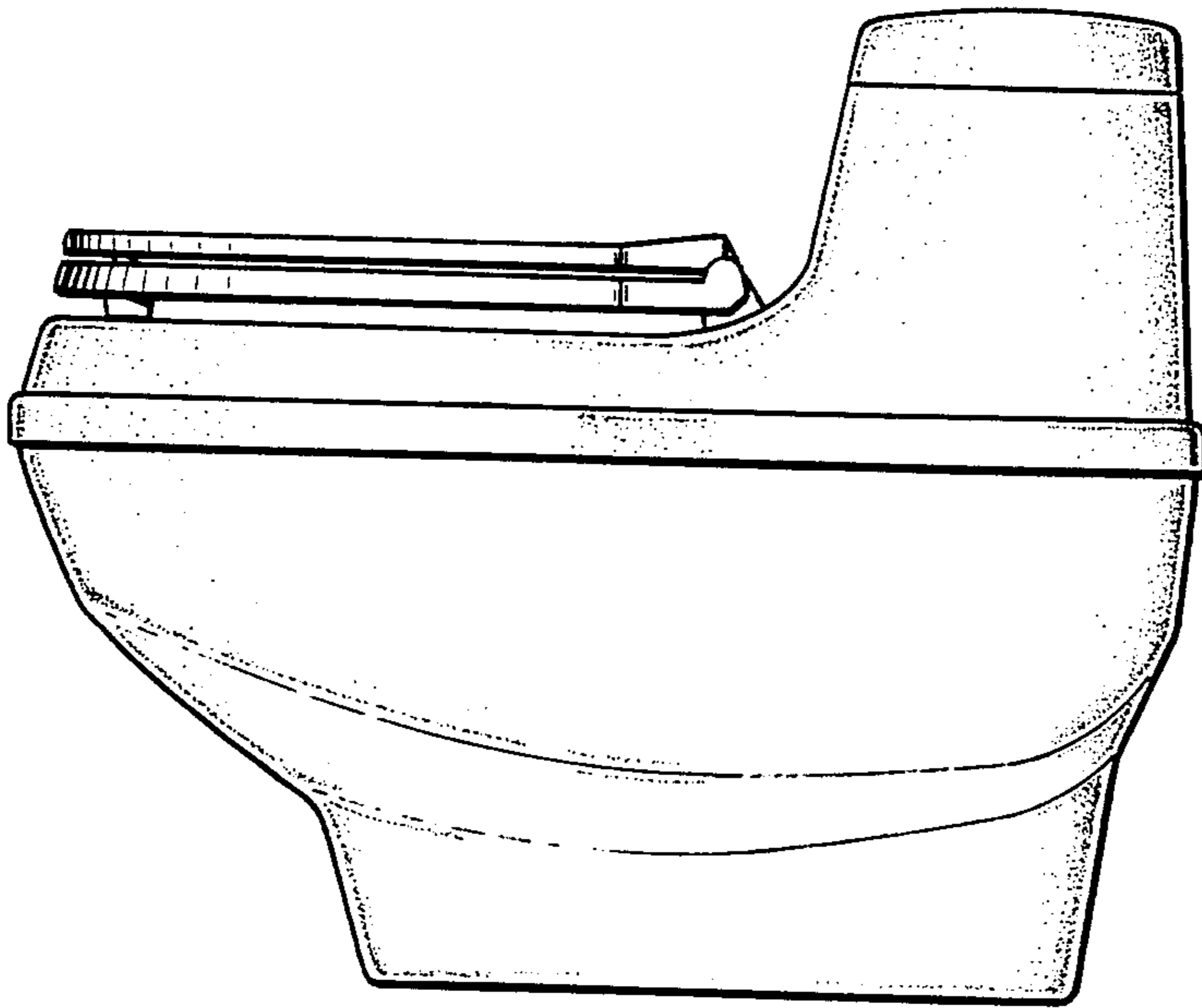


FIG. 4

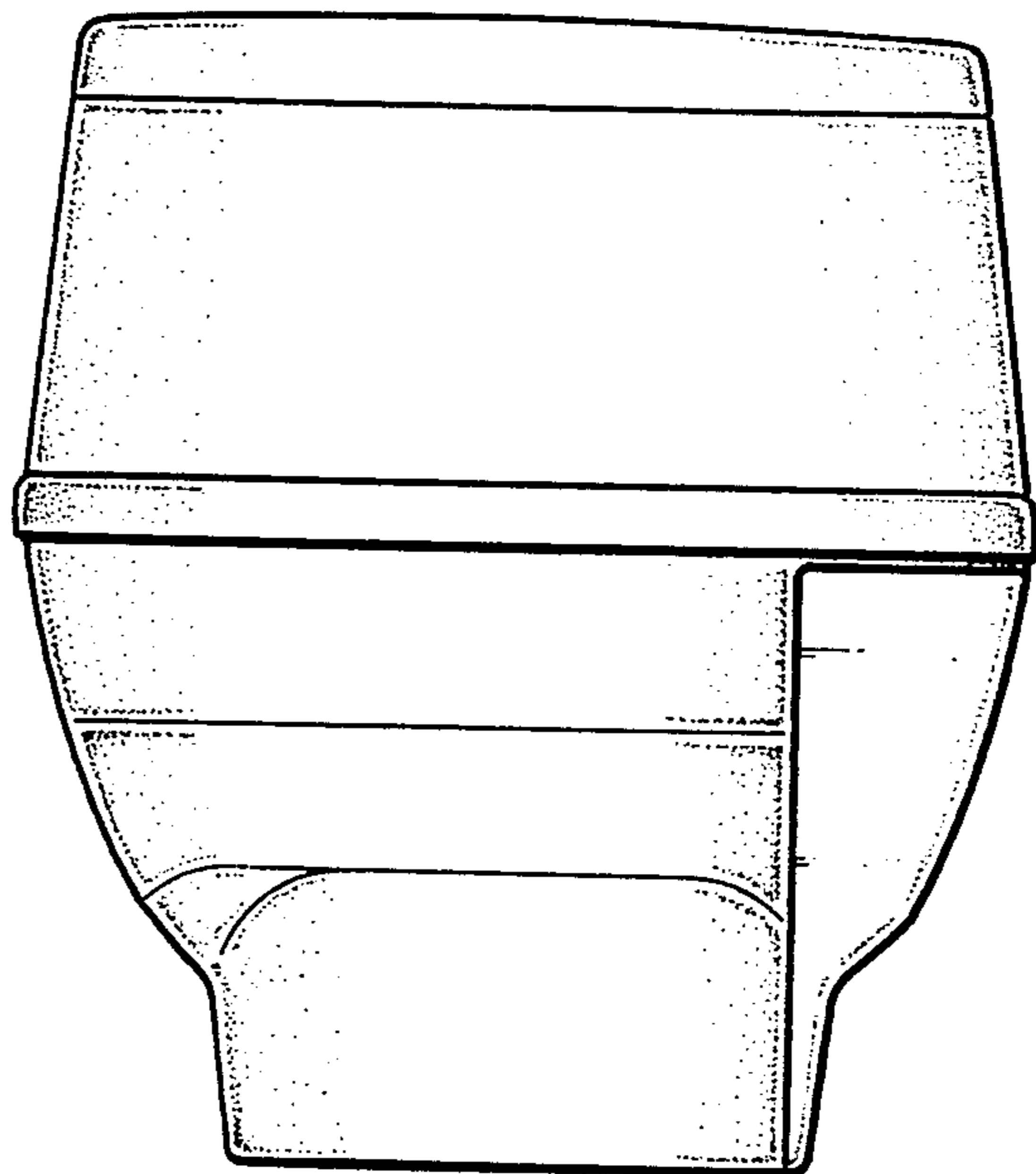


FIG. 5